



Accessory for 3KF size 3 Direct operating mechanism, gray Can be locked in OFF position with three padlocks

| Model | |
|---|--------------------------------------|
| product brand name | SENTRON |
| product designation | Accessories for switch disconnectors |
| design of the product | Direct operating mechanism |
| suitability for use | For 3KF size 3 |
| color of the actuating element | gray |
| product description | Lockable with up to 3 locks |
| product feature can be locked into OFF position | Yes |
| accessories | Direct operating mechanism |
| Mechanical Design | |
| Net Weight | 587 g |
| Certificates | |
| reference code according to IEC 81346-2 | Q |
| Approvals Certificates | |
| General Product Approval | |



[Confirmation](#)



[Miscellaneous](#)



| Test Certificates | Maritime application | other | Environment | |
|--|----------------------|------------------------------|-------------------------------|---|
| Type Test Certificates/Test Report | | Confirmation | Miscellaneous | Environmental Confirmations |

| Environment |
|---|
| Environmental Confirmations |

| Further information |
|--|
| Information on the packaging https://support.industry.siemens.com/cs/ww/en/view/109813875 |
| Information for data generation and storage https://support.industry.siemens.com/cs/ww/en/view/109995012 |

Information- and Downloadcenter (Catalogs, Brochures,...)

<https://www.siemens.com/lowvoltage/catalogs>

Industry Mall (Online ordering system)

<https://mall.industry.siemens.com/mall/en/en/Catalog/product?mlfb=3KF9301-1AA00>

Service&Support (Manuals, Certificates, Characteristics, FAQs,...)

<https://support.industry.siemens.com/cs/ww/en/ps/3KF9301-1AA00>

Image database (product images, 2D dimension drawings, 3D models, device circuit diagrams, ...)

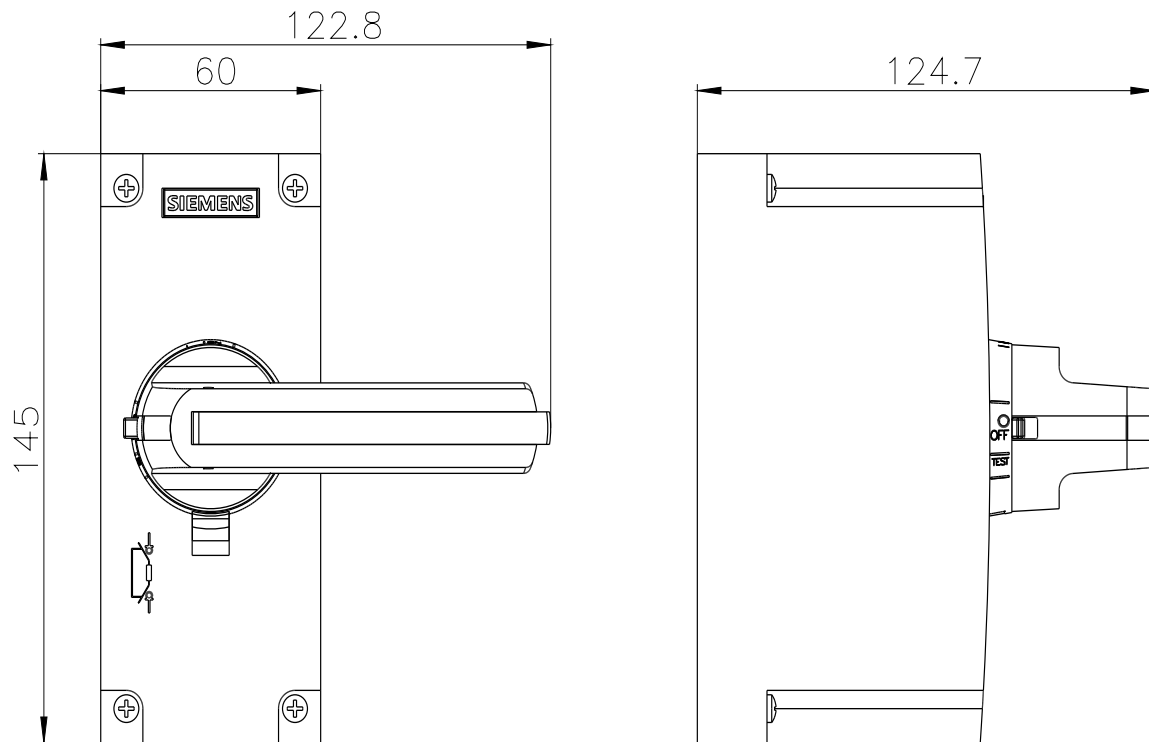
https://www.automation.siemens.com/bilddb/cax_en.aspx?mlfb=3KF9301-1AA00

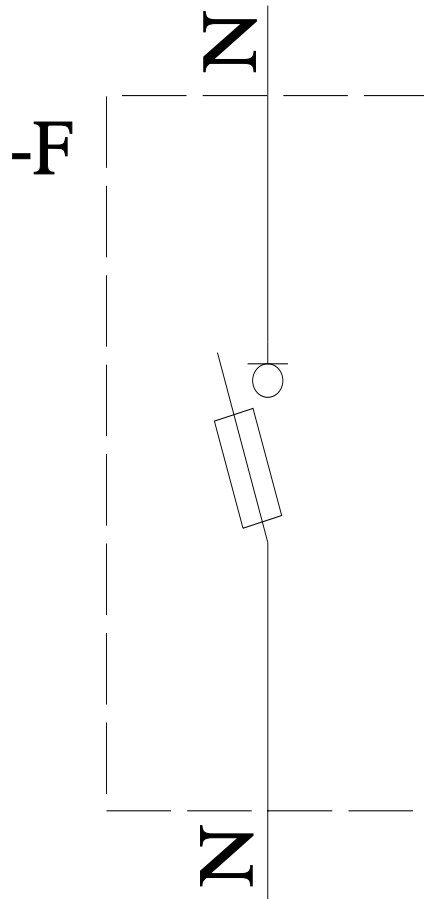
CAX-Online-Generator

<https://www.siemens.com/cax>

Tender specifications

<https://www.siemens.com/specifications>





last modified:

4/3/2025 