



Accessory for 3KF size 5 Direct operating mechanism, gray Can be locked in OFF position with three padlocks

Model	
product brand name	SETRON
product designation	Accessories for switch disconnectors
design of the product	Direct operating mechanism
suitability for use	For 3KF size 5
color of the actuating element	gray
product description	Lockable with up to 3 locks
product feature can be locked into OFF position	Yes
accessories	Direct operating mechanism
Mechanical Design	
Net Weight	1.992 kg
Certificates	
reference code according to IEC 81346-2	Q
Approvals Certificates	
General Product Approval	



[Confirmation](#)



[Miscellaneous](#)



Test Certificates	Maritime application	other	Environment		
Type Test Certificates/Test Report			Confirmation	Miscellaneous	Environmental Confirmations

Environment
Environmental Confirmations

Further information
Information on the packaging https://support.industry.siemens.com/cs/ww/en/view/109813875
Information for data generation and storage https://support.industry.siemens.com/cs/ww/en/view/109995012

Information- and Downloadcenter (Catalogs, Brochures,...)

<https://www.siemens.com/lowvoltage/catalogs>

Industry Mall (Online ordering system)

<https://mall.industry.siemens.com/mall/en/en/Catalog/product?mifb=3KF9501-1AA00>

Service&Support (Manuals, Certificates, Characteristics, FAQs,...)

<https://support.industry.siemens.com/cs/ww/en/ps/3KF9501-1AA00>

Image database (product images, 2D dimension drawings, 3D models, device circuit diagrams, ...)

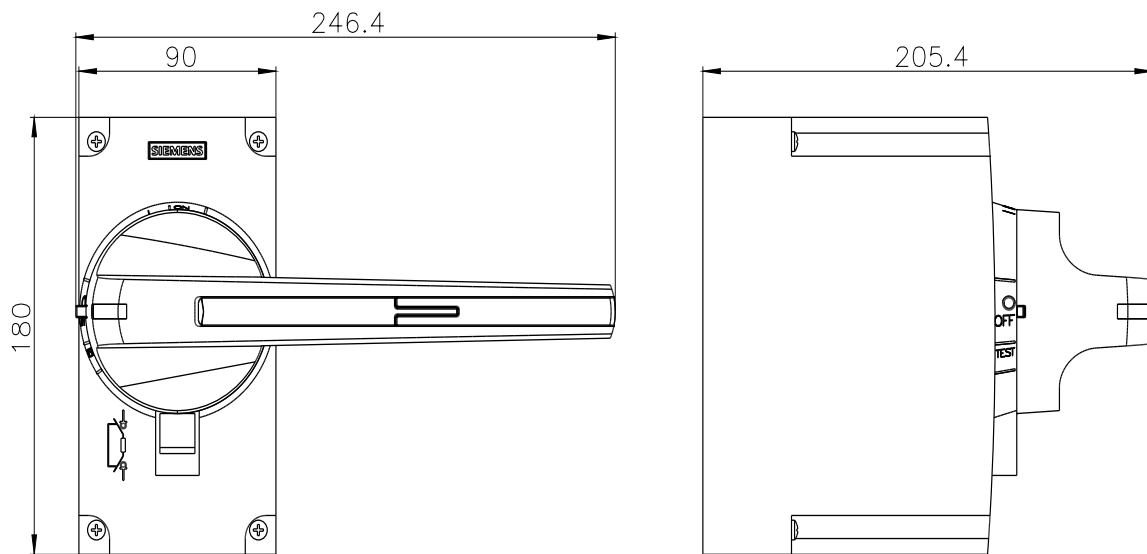
https://www.automation.siemens.com/bilddb/cax_en.aspx?mifb=3KF9501-1AA00

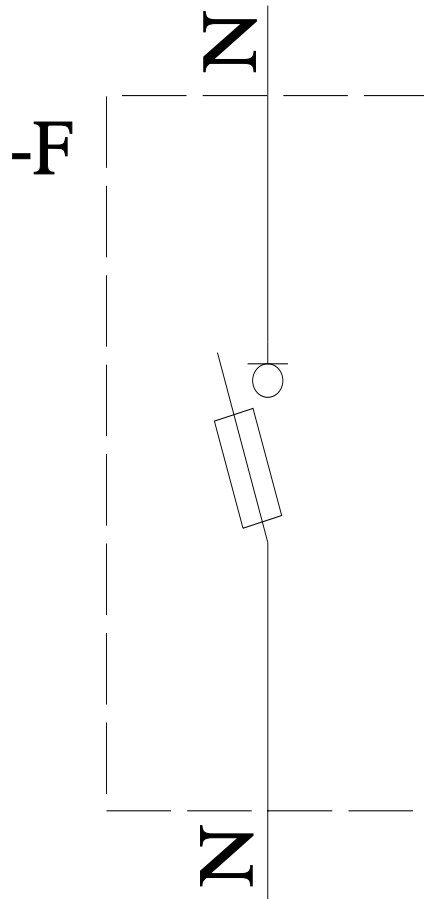
CAX-Online-Generator

<https://www.siemens.com/cax>

Tender specifications

<https://www.siemens.com/specifications>





last modified:

4/3/2025 