



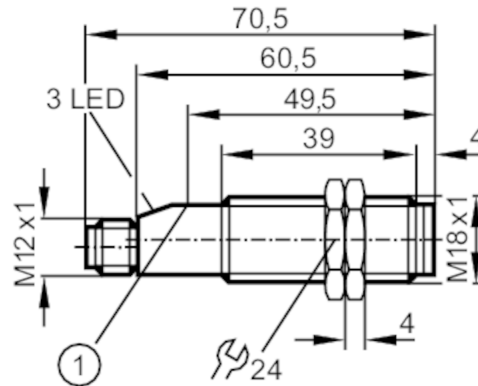
Diffuse reflection sensor with background suppression

OGH-FPKG/US-100

Article no longer available - archive entry

Alternative articles: OGH200 or OGH500

When selecting an alternative article and accessories please note that technical data may differ!



1 pushbutton

Product characteristics

| | |
|---------------|---------------|
| Type of light | red light |
| Housing | threaded type |

Application

| | |
|--------------------|--|
| Special feature | Gold-plated contacts; Background suppression |
| Function principle | Diffuse reflection sensor |

Electrical data

| | |
|-----------------------------|------------|
| Operating voltage [V] | 10...30 DC |
| Current consumption [mA] | < 60 |
| Protection class | II |
| Reverse polarity protection | yes |
| Type of light | red light |
| Wave length [nm] | 660 |

Outputs

| | |
|--|--|
| Electrical design | PNP |
| Output function | light-on/dark-on mode; (parameterisable) |
| Max. voltage drop switching output DC [V] | 2.5 |
| Permanent current rating of switching output DC [mA] | 150; (200 (...60 °C)) |
| Switching frequency DC [Hz] | 250 |
| Short-circuit protection | yes |
| Type of short-circuit protection | pulsed |
| Overload protection | yes |

Detection zone

| | |
|------------------|--|
| Range [mm] | 30...130; (white paper 200 x 200 mm 90% remission) |
| Range adjustable | yes |

OG5053



Diffuse reflection sensor with background suppression

OGH-FPKG/US-100

| | |
|----------------------------------|------------------|
| Max. light spot diameter [mm] | 12 |
| Light spot dimensions refer to | at maximum range |
| Background suppression available | yes |

Operating conditions

| | |
|--------------------------|----------|
| Ambient temperature [°C] | -25...80 |
| Protection | IP 67 |

Tests / approvals

| | | |
|-----|--------------|---------|
| EMC | EN 60947-5-2 | |
| | EN 55011 | class B |

Mechanical data

| | |
|--------------------|--------------------|
| Housing | threaded type |
| Dimensions [mm] | M18 x 1 / L = 70.5 |
| Thread designation | M18 x 1 |
| Materials | PBT |
| Lens material | PMMA |

Displays / operating elements

| | | |
|---------|------------------|-----------------|
| Display | switching status | 1 x LED, yellow |
| | operation | 1 x LED, green |

Accessories

| | |
|----------------|--------------|
| Items supplied | lock nuts: 2 |
|----------------|--------------|

Remarks

| | |
|---------------|--------|
| Pack quantity | 1 pcs. |
|---------------|--------|

Electrical connection

Connector: 1 x M12; coding: A; Contacts: gold-plated



Connection



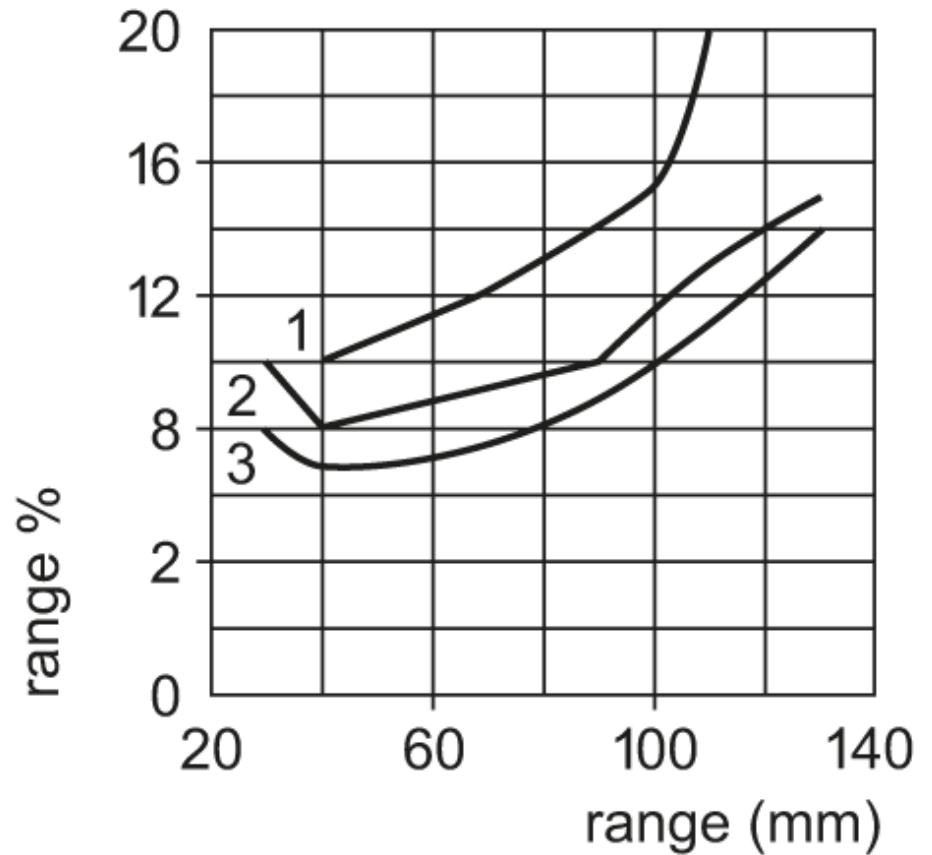


Diffuse reflection sensor with background suppression

OGH-FPKG/US-100

Diagrams and graphs

accuracy graph



x: distance sensor/object [mm]

y: min. distance object/background [mm]

1 = object black (6 % remission) , background white (90 % remission)

2 = object grey (18 % remission) , background white (90 % remission)

3 = object white (90 % remission) , background white (90 % remission)

Note : range % = setting in % of the range