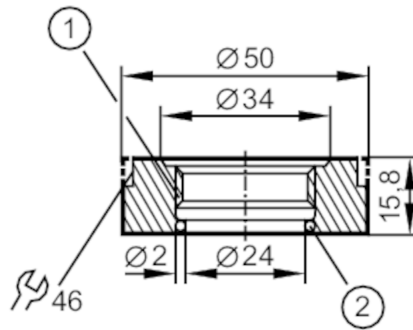


E30052



Welding adapter for process sensors

WELDING ADAPT IFM O-RG



EC 1935/2004 

Application	
Pressure rating	50 bar 5 MPa
Tests / approvals	
Pressure Equipment Directive	A possible classification to PED depends on the application and has to be carried out by the user / operator.
Safety instructions	The compatibility between medium and product material has to be checked in all applications.
Mechanical data	
Weight [g]	221
Materials	stainless steel; O-ring: FPM FDA compliant
Sensor connection	Aseptoflex
Process connection	welding adapter Ø 50 mm
Surface characteristics Ra/Rz of the wetted parts	Ra < 0.4 µm / Rz = 4 µm
Accessories	
Items supplied	O-rings: 1 x (24 x 2 mm), FDA compliant
Remarks	
Notes	phase-out article
Pack quantity	1 pcs.