

M12 female 0° L-coded field-wireable5-pol. max. 2,5mm²

Art.No.: 7356-P4611-0000000

Weight: 0.071

Country of origin: DE

Model designation: MSWBL-U-SK-XH max. 2.5mm²

Customized printing and packaging

Female straight

M12

5-pole

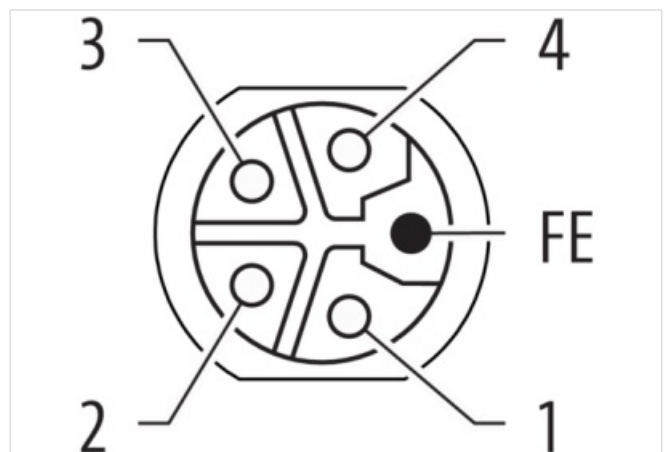
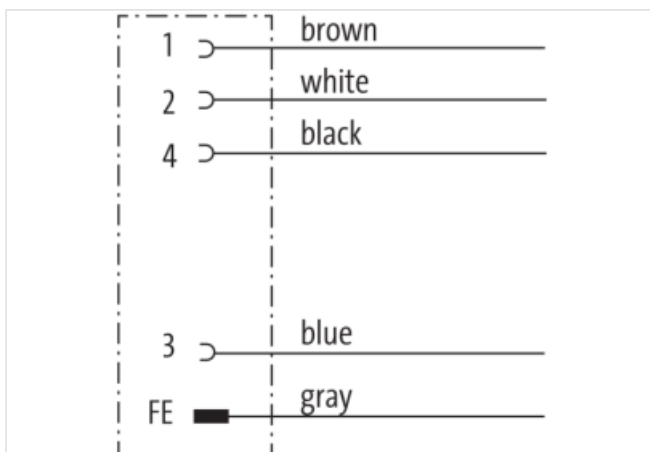
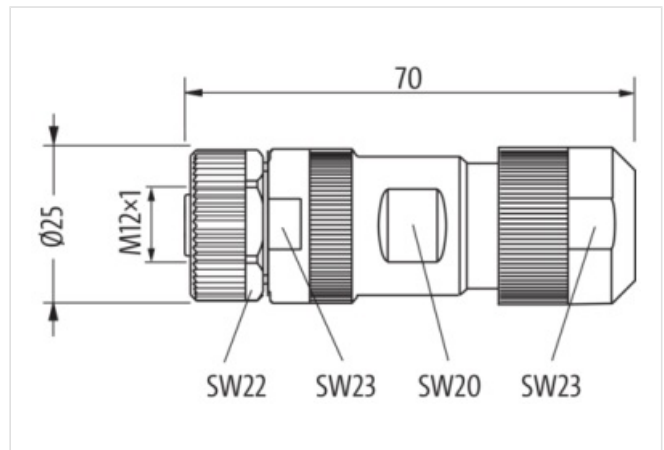
L-coded

Screw terminals

Sealing range (cable Ø)

8...13 mm

The resistance to aggressive media should be individually tested for your application. Further details on request.

[Link to Product](#)**Illustration**

Product may differ from Image



Header	
Material short text	MSWBL-U-SK-XH max. 2.5mm ²
Side 1	
Family construction form	M12P
Coding	L
Material contact	Copper alloy
Commercial data	
URL Webshop	https://shop.murrelektronik.com/7356-P4611-0000000
GTIN	4065909044117
ECLASS-6.0	27279221
ECLASS-6.1	27260702
ECLASS-7.0	27440102
ECLASS-7.1	27440102
ECLASS-8.0	27440102
ECLASS-8.1	27440102
ECLASS-9.0	27440116
ECLASS-9.1	27440106
ECLASS-10.0.1	27440106
ECLASS-10.1	27440102
ECLASS-11.0	27440106
ECLASS-11.1	27440102
ECLASS-12.0	27440116
ECLASS-13.0	27440106
ECLASS-14.0	27440106
ETIM-5.0	EC001855
ETIM-6.0	EC001855
ETIM-7.0	EC001855
ETIM-8.0	EC001855
customs tariff number	85366990
EAN	4065909044117
Packaging unit	1
Electrical data Supply	
Operating voltage DC max.	63 V
Current operating per contact max.	16 A
Installation	
Connection cross section max.	2,5 mm ²
Installation Connection	
Connection	Screw terminals SK
Mounting set	M12 x 1
Mating cycles min.	100
Device protection Electrical	
Degree of protection (EN IEC 60529)	IP67
Additional condition protection degree	inserted, screwed
Pollution Degree	3
Overvoltage category (EN 60950-1)	III
Rated surge voltage	1,5 kV
Material group (IEC 60664-1)	II
Mechanical data Material data	
Material housing	PA
Material contact carrier	PA
Coating contact	gold plated

Mechanical data | Mounting data

Mounting method	Schraubgewinde
Clamping range min.	8 mm
Clamping range max.	13 mm

Environmental characteristics | Climatic

Operating temperature min.	-40 °C
Operating temperature max.	85 °C