

# Product datasheet

Specifications



## EcoStruxure Panel Server - advanced datalogger, energy server, 110-277 VAC/DC

PAS800

EAN Code: 3606481014375

### Main

Range	EcoStruxure
Product name	Panel Server Advanced
Product or component type	Gateway
Device short name	PAS800
Device application	Gateway & energy server Data logger
[Us] rated supply voltage	110...277 V AC 50/60 Hz 110...277 V DC
Communication gateway	Ethernet TCP/IP to wireless devices Ethernet/serial

### Complementary

Product compatibility	Wireless access point
Communication port protocol	Modbus TCP DHCP HTTPS NTP/SNTP IPv4 IPv6 TCP/IP
Communication port support	2 RJ45: ETHERNET Screw terminal block: RS485
Number of server device(s)	32 Modbus RTU product(s) 128 Modbus TCP/IP product(s) 40 wireless (IEEE 802.15.4) product(s) - mixed 85 wireless (IEEE 802.15.4) product(s) - depending on configuration
Number of devices	64 Modbus TCP/IP
Number of inputs	0
Connections - terminals	Power supply: screw terminal block (top) 1.5...2.5 mm <sup>2</sup> cable(s) Communication: screw terminal block (bottom) 0.14...1.5 mm <sup>2</sup> cable(s)
Tightening torque	Power supply: 0.6 N.m Communication: 0.25 N.m
Wire stripping length	Power supply: 7 mm Communication: 7 mm
Mounting mode	Clip-on
Mounting support	DIN rail

<b>Product certifications</b>	CE cULus CB RCM UKCA FCC IC DNV Marine ANSI RF IACS E10
<b>Standards</b>	IEC 61010 IEC 61010-1 IEC 61010-2-201 UL 61010 UL 61010-1 UL 61010-2-201 EN 61010-1 EN 61010-2-201 CAN/CSA C22.2 No. 61010-1-12 CAN/CSA C22.2 No. 61010-2-201 IEC 62974-1 IEC 61326-1 EN 61326-1 ETSI EN 301 489-1 ETSI EN 301 489-17 EN 301-893 EN 55032 CISPR 11 ETSI EN 300 328 IEEE 802.15.4 IEEE 802.11a/b/g/n IEEE 802.3 af/at FCC CFR 47 part 15 class A EN 62311 IEC 62311 IEC 60945 EN 62974-1
<b>Depth</b>	70.2 mm
<b>Height</b>	93 mm
<b>Width</b>	72 mm
<b>Net weight</b>	206 g
<b>Data recording</b>	Historical dashbaording and trending 3 years data logs
<b>Data buffer for data publication (cloud, SFTP, HTTPS) depending on network</b>	3 month(s)
<b>Function available</b>	Embedded web page for configuration and upgrade Diagnosis capabilities Diagnostic report Diagnostics on communication Embedded data logger Event Logger Energy management With integrated web server Firmware update Configurable event Backup/restore configuration CSV export
<b>Product specific application</b>	Wireless Schneider Electric devices ecosystem
<b>Topology</b>	Separated Ethernet network Switched Ethernet network
<b>Web services</b>	HTTPS server SFTP publication (CSV / JSON) HTTPS publication (CSV / JSON) Alarm notification by e-mail

<b>Communication service</b>	Device Profile for Web Services (DPWS) Modbus TCP client Modbus TCP server SNTP client DHCP client Web server (energy & operation efficiency) RSTP
<b>Commissioning interface</b>	EcoStruxure Power Commission desktop EcoStruxure Power Commission Mobile (through Wi-Fi Access point) EcoStruxure Power Commission web (for third party device integration) Web page
<b>Realtime clock</b>	With RTC-battery set With user calibration
<b>Time synchronisation protocol</b>	NTP SNTP
<b>Range compatibility</b>	EcoStruxure Facility Expert EcoStruxure Building Operation EcoStruxure Power Operation EcoStruxure Power Monitoring Expert EcoStruxure Asset Advisor EcoStruxure Energy Hub EcoStruxure Resource Advisor Third party SCADA
<b>Communication interface</b>	Modbus and wireless (IEEE802.15.4) product

## Environment

<b>Relative humidity</b>	5...95 %
<b>IP degree of protection</b>	IP40 (front face) IP20 (casing)
<b>Ambient air temperature for operation</b>	-25...70 °C
<b>Ambient air temperature for storage</b>	-40...85 °C
<b>Pollution degree</b>	2
<b>Operating altitude</b>	< 2000 m

## Packing Units

<b>Unit Type of Package 1</b>	PCE
<b>Number of Units in Package 1</b>	1
<b>Package 1 Height</b>	9.000 cm
<b>Package 1 Width</b>	9.000 cm
<b>Package 1 Length</b>	11.200 cm
<b>Package 1 Weight</b>	271.000 g
<b>Unit Type of Package 2</b>	S03
<b>Number of Units in Package 2</b>	27
<b>Package 2 Height</b>	30.000 cm
<b>Package 2 Width</b>	30.000 cm
<b>Package 2 Length</b>	40.000 cm
<b>Package 2 Weight</b>	7.927 kg

## Logistical informations

<b>Country of origin</b>	IN
--------------------------	----

# Contractual warranty

---

Warranty (in months)

18



## Environmental Data

Schneider Electric aims to achieve Net Zero status by 2050 through supply chain partnerships, lower impact materials, and circularity via our ongoing “Use Better, Use Longer, Use Again” campaign to extend product lifetimes and recyclability.

[Environmental Data explained >](#)

[How we assess product sustainability >](#)

### Environmental footprint

Total lifecycle Carbon footprint	53
----------------------------------	----

## Use Better

### Materials and Substances

Packaging made with recycled cardboard	Yes
--	-----

Packaging without single use plastic	Yes
--------------------------------------	-----

<a href="#">EU RoHS Directive</a>	Compliant with Exemptions
-----------------------------------	---------------------------

SCIP Number	3f06bd1f-f04f-4301-bb9a-5353a242283d
-------------	--------------------------------------

REACH Regulation	<a href="#">REACH Declaration</a>
------------------	-----------------------------------

Halogen-free status	Halogen free plastic parts & cables product
---------------------	---

PVC free	Yes
----------	-----

## Use Again

### Repack and remanufacture

End of life manual availability	<a href="#">End of Life Information</a>
---------------------------------	---

Removable battery	No
-------------------	----

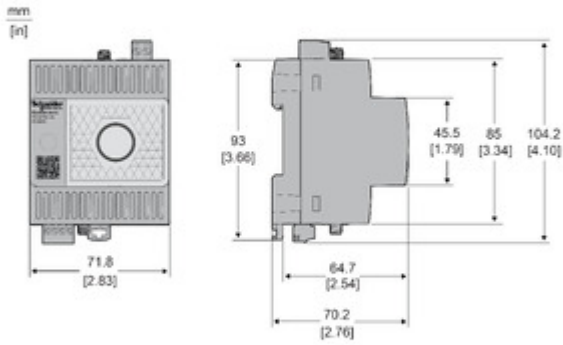
Take-back	No
-----------	----

WEEE Label	 The product must be disposed on European Union markets following specific waste collection and never end up in rubbish bins
------------	---

Technical Illustration

Dimensions

---



Technical illustration

Product Installation

---

