

# Product datasheet

Specifications



## Arc accessory VA1DA-20S Arc sensor 20m shielded

REL52803

EAN Code: 3606481382979

### Main

|                                 |                |
|---------------------------------|----------------|
| Range of product                | Easergy P3     |
| Product or component type       | Arc sensor     |
| Type of cable                   | Shielded cable |
| light spectrum sensitivity area | 400...1100 nm  |

### Complementary

|              |        |
|--------------|--------|
| Cable length | 20 m   |
| Width        | 55 mm  |
| Height       | 25 mm  |
| Depth        | 14 mm  |
| Net weight   | 0.9 kg |

### Environment

|                                       |             |
|---------------------------------------|-------------|
| Pollution degree                      | 2           |
| Ambient air temperature for operation | -25...70 °C |

### Packing Units

|                              |            |
|------------------------------|------------|
| Unit Type of Package 1       | PCE        |
| Number of Units in Package 1 | 1          |
| Package 1 Height             | 4.000 cm   |
| Package 1 Width              | 27.000 cm  |
| Package 1 Length             | 27.000 cm  |
| Package 1 Weight             | 879.000 g  |
| Unit Type of Package 2       | S03        |
| Number of Units in Package 2 | 7          |
| Package 2 Height             | 30.000 cm  |
| Package 2 Width              | 30.000 cm  |
| Package 2 Length             | 40.000 cm  |
| Package 2 Weight             | 6.601 kg   |
| Unit Type of Package 3       | P12        |
| Number of Units in Package 3 | 168        |
| Package 3 Height             | 104.000 cm |

---

|                  |            |
|------------------|------------|
| Package 3 Width  | 80.000 cm  |
| Package 3 Length | 120.000 cm |
| Package 3 Weight | 174.000 kg |

---

## Logistical informations

---

|                   |    |
|-------------------|----|
| Country of origin | FI |
|-------------------|----|

## Contractual warranty

---

|                      |    |
|----------------------|----|
| Warranty (in months) | 18 |
|----------------------|----|

## Environmental Data

Schneider Electric aims to achieve Net Zero status by 2050 through supply chain partnerships, lower impact materials, and circularity via our ongoing “Use Better, Use Longer, Use Again” campaign to extend product lifetimes and recyclability.

[Environmental Data explained >](#)

[How we assess product sustainability >](#)

### Environmental footprint

|                                  |   |
|----------------------------------|---|
| Total lifecycle Carbon footprint | 3 |
|----------------------------------|---|

## Use Better

### Materials and Substances

|  |     |
|--|-----|
| Packaging made with recycled cardboard | Yes |
|--|-----|

|                                      |    |
|--------------------------------------|----|
| Packaging without single use plastic | No |
|--------------------------------------|----|

|                                   |                           |
|-----------------------------------|---------------------------|
| <a href="#">EU RoHS Directive</a> | Compliant with Exemptions |
|-----------------------------------|---------------------------|

## Use Again

### Repack and remanufacture

|                                 |   |
|---------------------------------|---|
| End of life manual availability | <a href="#">End of Life Information</a> |
|---------------------------------|---|

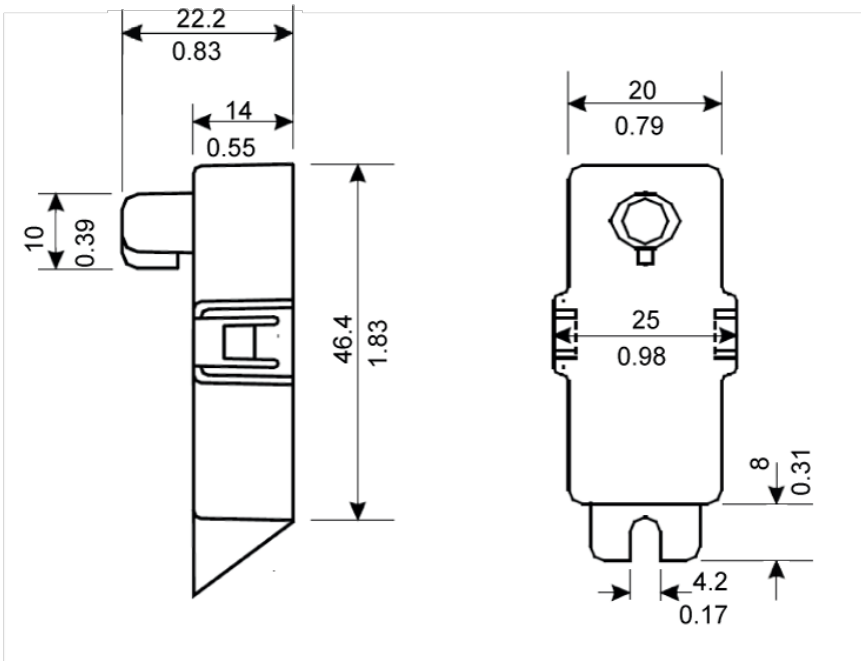
|           |    |
|-----------|----|
| Take-back | No |
|-----------|----|

|            |   |
|------------|---|
| WEEE Label |  The product must be disposed on European Union markets following specific waste collection and never end up in rubbish bins |
|------------|---|

Dimensions Drawings

Arc Flash Sensors

mm  
in.



Arc Flash Sensors: Sensitivity Area

---

