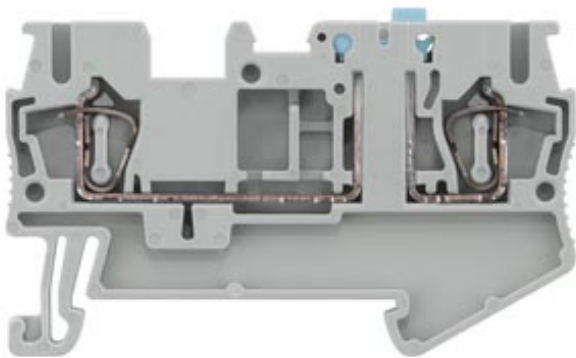


ISOLATING BLADE TERMINAL WITH SPRING CONNECTION,  
SECTION: 0.08 - 2.5 MM<sup>2</sup>, WIDTH: 5.2 MM, COLOR: GRAY WITH  
BLADE ORANGE



Model	
Type of longitudinal separation	others
Type of lateral separation	without
Design of terminal / Terminal levels internally linked	No
General technical data	
Insulation material	others
Terminal contact spacing	5.2 mm
Protection class	
Combustibility class acc. to UL 94	V0
Main circuit	
Operating voltage / rated value	400 V
Operating current / rated value	16 A
Appearance	
Color	grey
Product details	
Product component	
<ul style="list-style-type: none"> <li>required / connection plate</li> </ul>	No

- Test socket

No

## Number

Number of terminal levels	1
Number of terminal points / per terminal level	2

## Connections

### Connectable conductor cross-section / stranded

- minimum 0.25 mm<sup>2</sup>
- maximum 2.5 mm<sup>2</sup>

Wire stripping length 10 mm

### Connectable conductor cross-section

- solid
  - minimum 4 mm<sup>2</sup>
  - maximum 4 mm<sup>2</sup>
- finely stranded
  - with core end processing / minimum 2.5 mm<sup>2</sup>
  - with core end processing / maximum 2.5 mm<sup>2</sup>
  - without core end processing / minimum 2.5 mm<sup>2</sup>
  - without core end processing / maximum 2.5 mm<sup>2</sup>

### Type of electrical connection

- 1 spring-loaded terminal
- 2 spring-loaded terminal

Position / of the terminal top

## Mechanical Design

Height / with lowest-profile installation 43 mm

Length 60.5 mm

Mounting type DIN rail 35 mm

Material / of the insulating body Other

General Product Approval

Declaration of  
Conformity

other



[sonstig](#)

## Further information

Information- and Downloadcenter (Catalogs, Brochures,...)

<http://www.siemens.com/lowvoltage/catalogs>

Industry Mall (Online ordering system)

<https://eb.automation.siemens.com/mall/en/WW/Catalog/Product/8WH2000-6CF00>

Service&Support (Manuals, Certificates, Characteristics, FAQs,...)

<http://support.automation.siemens.com/WW/view/en/8WH2000-6CF00/all>

**Image database (product images, 2D dimension drawings, 3D models, device circuit diagrams, ...)**

[http://www.automation.siemens.com/bilddb/cax\\_en.aspx?mlfb=8WH2000-6CF00](http://www.automation.siemens.com/bilddb/cax_en.aspx?mlfb=8WH2000-6CF00)

**CAX-Online-Generator**

<http://www.siemens.com/cax>

**Tender specifications**

<http://www.siemens.com/specifications>