

FEED-THROUGH TERMINAL WITH SPRING CONNECTION,
SECTION: 0.14 - 1.5 MM², WIDTH: 4.2 MM, COLOR: BLUE

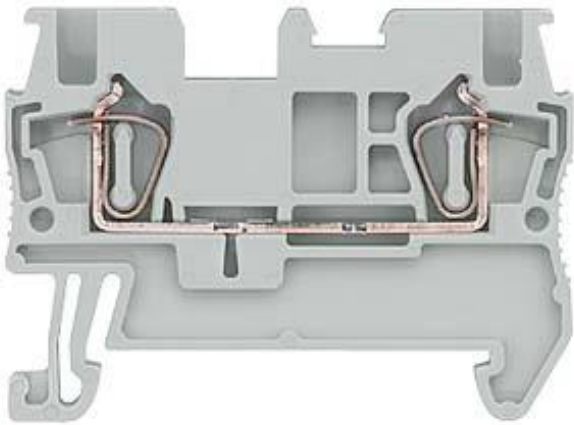


Figure similar

Model	
Design of terminal / Terminal levels internally linked	No
General technical data	
Terminal contact spacing	4.2 mm
Protection class	
Combustibility class acc. to UL 94	V0
Main circuit	
Operating voltage / rated value	500 V
Operating current / rated value	17.5 A
Appearance	
Color	blue
Product details	
Product component / required / connection plate	No
Number	
Number of terminal levels	1

Number of terminal points / per terminal level	2
--	---

Connections

Connectable conductor cross-section / stranded	
<ul style="list-style-type: none"> • minimum • maximum 	1.5 mm ² 1.5 mm ²
Wire stripping length	10 mm
Connectable conductor cross-section	
<ul style="list-style-type: none"> • solid <ul style="list-style-type: none"> — minimum — maximum • finely stranded <ul style="list-style-type: none"> — with core end processing / minimum — with core end processing / maximum — without core end processing / minimum — without core end processing / maximum 	1.5 mm ² 1.5 mm ² 1.5 mm ² 1.5 mm ² 1.5 mm ² 1.5 mm ²
Type of electrical connection	
<ul style="list-style-type: none"> • 1 • 2 	spring-loaded terminal spring-loaded terminal
Position / of the terminal	top

Mechanical Design

Mounting type	DIN rail 35 mm
Net weight	5 g
Material / of the insulating body	Other

Environmental conditions

Ambient temperature	
<ul style="list-style-type: none"> • during operation / minimum • during operation / maximum 	-25 °C 55 °C

Certificates

Design tested acc. to type of protection / EEx e	No
---	----

General Product Approval	Declaration of Conformity	Shipping Approval	other
--------------------------	---------------------------	-------------------	-------



[sonstig](#)

Further information

Information- and Downloadcenter (Catalogs, Brochures,...)

<http://www.siemens.com/lowvoltage/catalogs>

Industry Mall (Online ordering system)

<https://eb.automation.siemens.com/mall/en/WW/Catalog/Product/8WH2000-0AE01>

Service&Support (Manuals, Certificates, Characteristics, FAQs,...)

<http://support.automation.siemens.com/WW/view/en/8WH2000-0AE01/all>

Image database (product images, 2D dimension drawings, 3D models, device circuit diagrams, ...)

http://www.automation.siemens.com/bilddb/cax_en.aspx?mlfb=8WH2000-0AE01

CAX-Online-Generator

<http://www.siemens.com/cax>

Tender specifications

<http://www.siemens.com/specifications>