

HOG10 DN 1024 I SR 16H7 KLK

Blind hollow shaft, 1024 pulses per revolution

Article number: 11070326

Overview

- HTL output driver for cable length up to 350 m
- Very high resistance to shock and vibrations
- Double-side bearing with hybrid bearing for extended service life
- Sealing system for oily-wet environment
- Large terminal box, turn by 180°



Technical data

Technical data - electrical ratings

Voltage supply	9...30 VDC
Consumption w/o load	≤100 mA
Pulses per revolution	1024
Phase shift	90 ° ±20°
Duty cycle	40...60 %
Reference signal	Zero pulse, width 90°
Sensing method	Optical
Output frequency	≤120 kHz
Output signals	K1, K2, K0 + inverted
Output stages	HTL-P (power linedriver)
Shaft insulation	Suitable up to 2.8 kV
Transmission length	≤350 m at 100 kHz (HTL-P)
Interference immunity	EN 61000-6-2
Emitted interference	EN 61000-6-3
Approval	CE UL approval / E217823

Technical data - mechanical design

Size (flange)	ø105 mm
---------------	---------

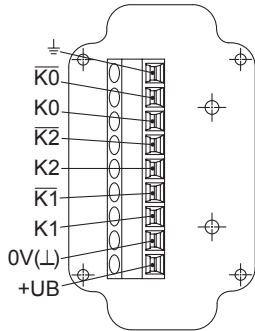
Technical data - mechanical design

Shaft type	ø16 mm (blind hollow shaft)
Admitted shaft load	≤450 N axial ≤600 N radial
Protection EN 60529	IP 66
Operating speed	≤6000 rpm (mechanical)
Operating torque typ.	6 Ncm
Rotor moment of inertia	340 gcm ²
Material	Housing: aluminium die-cast Shaft: stainless steel
Operating temperature	-40...+100 °C
Resistance	IEC 60068-2-6 Vibration 20 g, 10-2000 Hz IEC 60068-2-27 Shock 300 g, 6 ms
Corrosion protection	IEC 60068-2-52 Salt mist for ambient conditions CX (C5-M) according to ISO 12944-2
Connection	Terminal box
Weight approx.	1.6 kg

Terminal assignment

View A (see dimension)

Connecting terminal terminal box, radial



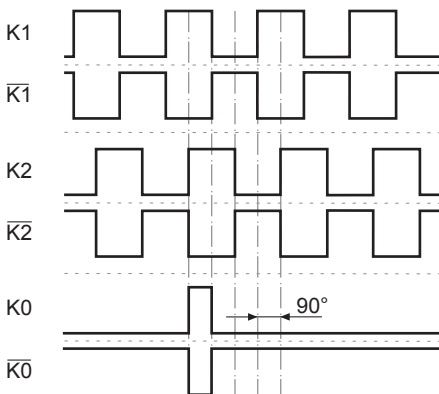
Terminal significance

+UB	Voltage supply
0V (L)	Ground
\perp	Earth ground (housing)
K1	Output signal channel 1
$\overline{K1}$	Output signal channel 1 inverted
K2	Output signal channel 2 (offset by 90° to channel 1)
$\overline{K2}$	Output signal channel 2 inverted
K0	Zero pulse (reference signal)
$\overline{K0}$	Zero pulse inverted
dnu	Do not use

Output signals

HTL/TTL

At positive rotating direction (see dimension)

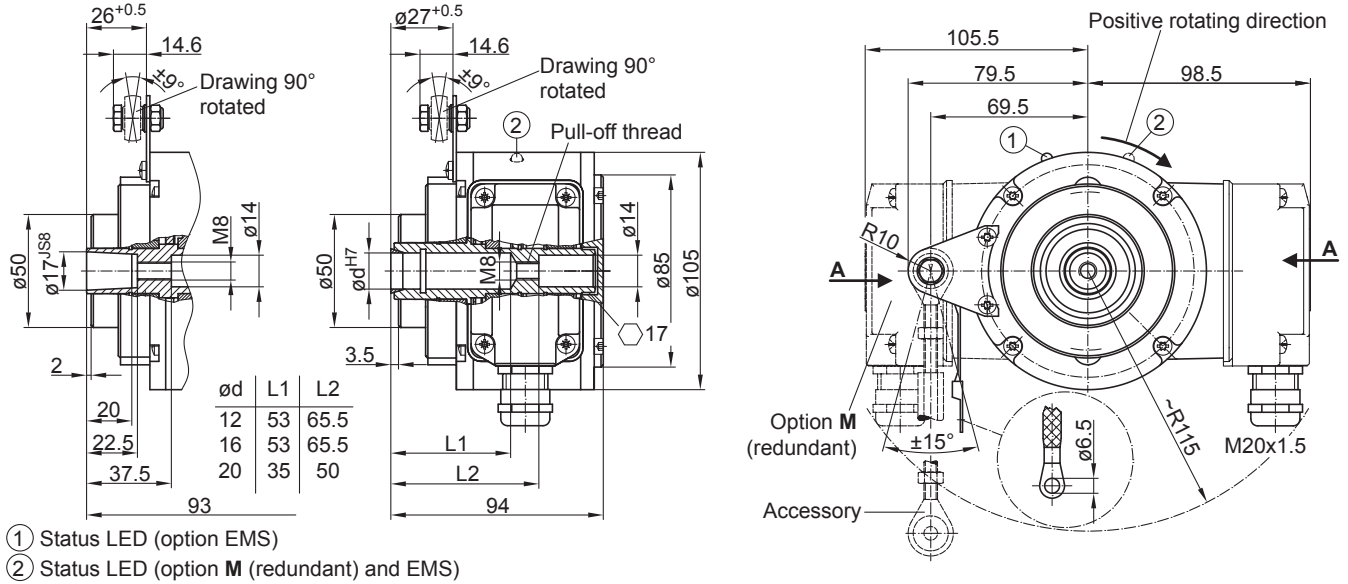


HOG10 DN 1024 I SR 16H7 KLK

Blind hollow shaft, 1024 pulses per revolution

Article number: 11070326

Dimensions



Version with radial terminal box

Accessories**Mounting accessories**

11043628	Torque arm M6, length 67...70 mm
11004078	Torque arm M6, length 120...130 mm (≥ 71 mm)
11002915	Torque arm M6, length 425...460 mm (≥ 131 mm)
11054917	Torque arm M6 insulated, length 67...70 mm
11072795	Torque arm M6 insulated, length 120...130 mm (≥ 71 mm)
11082677	Torque arm M6 insulated, length 425...460 mm (≥ 131 mm)
11054918	Torque arm M6 stainless, length 67...70 mm
11072787	Torque arm M6 stainless, length 120...130 mm (≥ 71 mm)
11072737	Torque arm M6 stainless, length 425...460 mm (≥ 131 mm)
11077197	Mounting kit for torque arm size M6 and earthing strap
11077087	Mounting and dismounting set