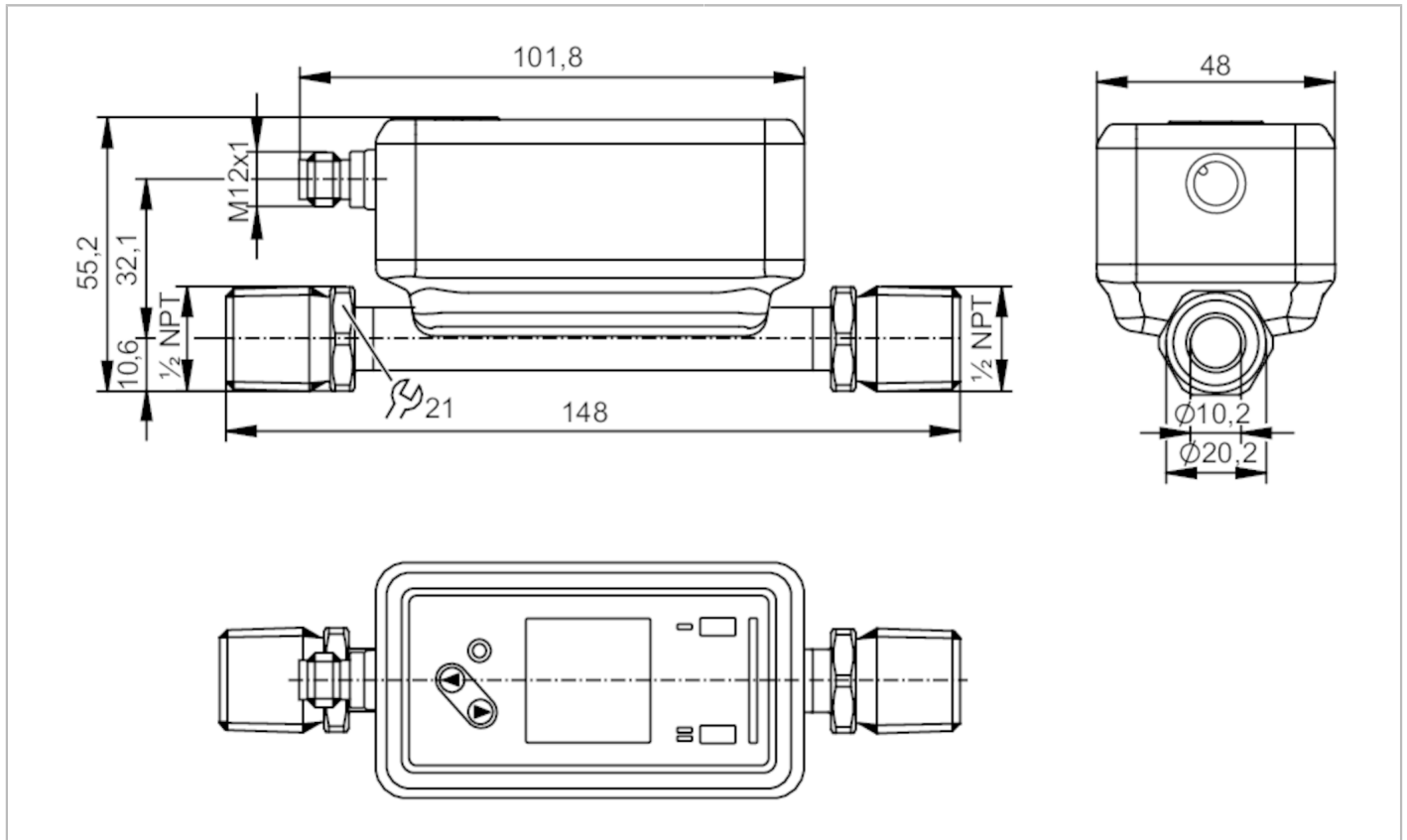


SU6631



Ultrasonic flow meter

SUN12XFBFRKG/US



ACS KTW/W270 Reg31

Product characteristics	
Measuring range	0.5...65 l/min 0.03...3.9 m ³ /h 8...1030 gph 0.13...17.17 gpm
Process connection	threaded connection 1/2" NPT external thread DN15
Application	
Special feature	Gold-plated contacts
Media	ultra-pure water; water; hydrous media; glycol solutions; oils; coolants
Note on media	hydrous media: for media with >10 % additives, the repeatability is the only available value low-viscosity oils with viscosity: 7...40 mm ² /s (40 °C) high-viscosity oils with viscosity: 30...68 mm ² /s (40 °C)
Medium temperature	-20...100 °C -4...212 °F
Min. burst pressure	150 bar 15 MPa
Pressure rating	100 bar 10 MPa
Vacuum resistance [mbar]	-1000
Electrical data	
Operating voltage [V]	18...32 DC; (to SELV/PELV)
Current consumption [mA]	< 75
Protection class	III
Reverse polarity protection	yes
Power-on delay time [s]	5
Measuring principle	ultrasonic

SU6631



Ultrasonic flow meter

SUN12XFBFRKG/US

Inputs				
Inputs	counter reset			
Outputs				
Total number of outputs	2			
Output signal	switching signal; pulse signal; analogue signal; IO-Link; frequency signal; diagnostic signal; totaliser switching signal			
Electrical design	PNP/NPN			
Output function	normally open / normally closed; (parameterisable)			
Max. voltage drop switching output DC [V]	2			
Permanent current rating of switching output DC [mA]	100			
Switching frequency DC [Hz]	0...10000			
Analogue current output [mA]	4...20			
Max. load [Ω]	500			
Pulse output	flow rate meter			
Short-circuit protection	yes			
Type of short-circuit protection	pulsed			
Overload protection	yes			
Measuring/setting range				
Measuring range	0.5...65 l/min	0.03...3.9 m ³ /h	8...1030 gph	0.13...17.17 gpm
Display range	-78...78 l/min	-4.68...4.68 m ³ /h	-1236...1236 gph	-20.61...20.61 gpm
Resolution	0.1 l/min	0.002 m ³ /h	1 gph	0.01 gpm
Set point SP	0.9...65 l/min	0.052...3.9 m ³ /h	14...1030 gph	0.23...17.17 gpm
Reset point rP	0.5...64.7 l/min	0.032...3.88 m ³ /h	8...1025 gph	0.14...17.08 gpm
Analogue start point ASP	-65...52 l/min	-3.9...3.12 m ³ /h	-1030...824 gph	-17.17...13.74 gpm
Analogue end point AEP	-52...65 l/min	-3.12...3.9 m ³ /h	-824...1030 gph	-13.74...17.17 gpm
Low flow cut-off LFC	0.5...3.2 l/min	0.03...0.195 m ³ /h	8...52 gph	0.13...0.86 gpm
Frequency end point, FEP	13...65 l/min	0.782...3.9 m ³ /h	207...1030 gph	3.44...17.17 gpm
Frequency at the end point FRP [Hz]	1...10000			
Volumetric flow quantity monitoring				
Pulse length [s]	0.002...2			
Pulse value	0.02...99990000 l; 0.005...26414563.515 gal			
Temperature monitoring				
Measuring range	-20...100 °C		-4...212 °F	
Display range	-44...124 °C		-47.2...255.2 °F	
Resolution	0.1 °C		0.1 °F	
Set point SP	-19.6...100 °C		-3.2...212 °F	
Reset point rP	-20...99.6 °C		-4...211.2 °F	
Analogue start point	-20...76 °C		-4...168.8 °F	
Analogue end point	4...100 °C		39.2...212 °F	
Frequency start point, FSP	-20...76 °C		4...168.8 °F	
Frequency end point, FEP	4...100 °C		4...212 °F	
Frequency at the end point FRP [Hz]	1...10000			

SU6631



Ultrasonic flow meter

SUN12XFBFRKG/US

Accuracy / deviations		
Flow monitoring		
Accuracy (in the measuring range)	glycol solutions (35%)	±(5,0 % MW + 0,5 % MEW)
	high-viscosity oils with viscosity 46mm ² /s (40°C)	±(5,0 % MW + 1,0 % MEW)
	low-viscosity oils with viscosity 10mm ² /s (40°C)	±(5,0 % MW + 1,0 % MEW)
	water	± (2,0 % MW + 0,5 % MEW)
Repeatability	± 0,2 % MEW	
Temperature monitoring		
Accuracy [K]	± 2,5 (Q > 5 % MEW)	
Temperature coefficient [% of the span / 10 K]	0,2	
Response times		
Flow monitoring		
Response time [s]	< 0.25; (dAP = 0, T09)	
Damping process value dAP [s]	0...5	
Temperature monitoring		
Dynamic response T05 / T09 [s]	5,7 / 86	
Software / programming		
Diagnostic functions	direction of flow detection; signal quality	
Interfaces		
Communication interface	IO-Link	
Transmission type	COM2 (38,4 kBaud)	
IO-Link revision	1.1.3	
SDCI standard	IEC 61131-9: 2013-07	
Profiles	BLOB	Binary Large Object transfer
	Common - I&D	Identification and Diagnosis
Required master port type	A	
Process data analogue	3	
Process data binary	2	
Min. process cycle time [ms]	9.6	
IO-Link process data (cyclical)	function	bit length
	totaliser	32
	Flow monitoring	32
	Temperature monitoring	32
	status	4
	Output 1	1
	Output 2	1
Supported DeviceIDs	Type of operation	DeviceID
	default	1755
Operating conditions		
Ambient temperature [°C]	-20...60	
Storage temperature [°C]	-25...80	
Protection	IP 67	

SU6631



Ultrasonic flow meter

SUN12XFBFRKG/US

Tests / approvals		
EMC	DIN 61326-1:2021	
Shock resistance	DIN IEC 68-2-27	20 g (11ms)
Vibration resistance	DIN IEC 68-2-6	20 g (10...2000Hz)
MTTF [years]		160
UL approval	UL approval no.	I034
Pressure Equipment Directive	can be used for group 2 fluids; group 1 fluids on request	
Mechanical data		
Weight [g]	540.4	
Housing	rectangular	
Type of mounting	inlet pipe length 5xDN; outlet pipe length 1xDN	
Dimensions [mm]	148 x 48 x 55.2	
Materials	housing: stainless steel (316L/1.4404); Display: PFA; Sealing Display: FKM; connector: PBT	
Materials (wetted parts)	Pipe section: stainless steel (316L/1.4404)	
Process connection	threaded connection 1/2" NPT external thread DN15	
Surface characteristics Ra/Rz of the wetted parts	49.21 µin	
Displays / operating elements		
Display		colour display 1,44", 128 x 128 pixels
	Switching function	2 x LED, yellow
	diagnosis	1 x LED, three-colour
Display unit	l/min; l/h; m³/h; m/s; gpm; gph; ft/s; oz/min	
Accessories		
Items supplied	package insert	
Remarks		
Remarks	MW = measured value	
	MEW = Final value of the measuring range	
	pulse and totaliser signal are only available for one of the two outputs	
	the accuracy indications are adhered to over the entire application area	
Pack quantity	1 pcs.	
Electrical connection		
Connector: 1 x M12; coding: A; Contacts: gold-plated		

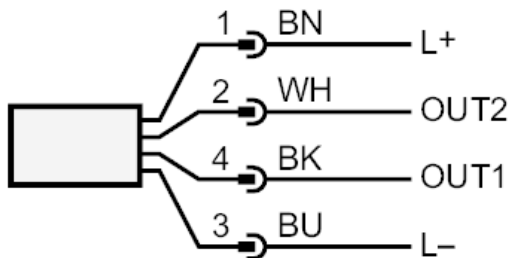
SU6631



Ultrasonic flow meter

SUN12XFBFRKG/US

Connection



OUT1/IO-Link: switching output volumetric flow quantity monitoring
 switching output Temperature monitoring
 Pulse output quantity meter
 frequency output volumetric flow quantity monitoring
 frequency output Temperature monitoring
 Diagnostic output direction of flow detection / signal quality
 signal output Preset counter

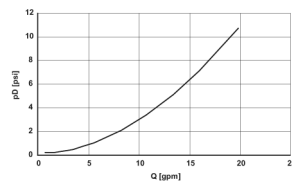
OUT2/InD: switching output volumetric flow quantity monitoring
 switching output Temperature monitoring
 Pulse output quantity meter
 analogue output flow
 analogue output temperature
 Diagnostic output direction of flow detection / signal quality
 signal output Preset counter
 input counter reset

colours to DIN EN 60947-5-2

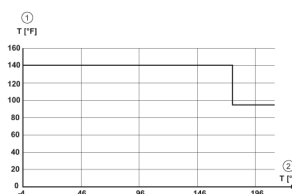
Core colours BK= black
 BN= brown
 BU= blue
 WH= white

Diagrams and graphs

Note on pressure loss



derating ambient temperature



- 1 Ambient temperature
- 2 Medium temperature