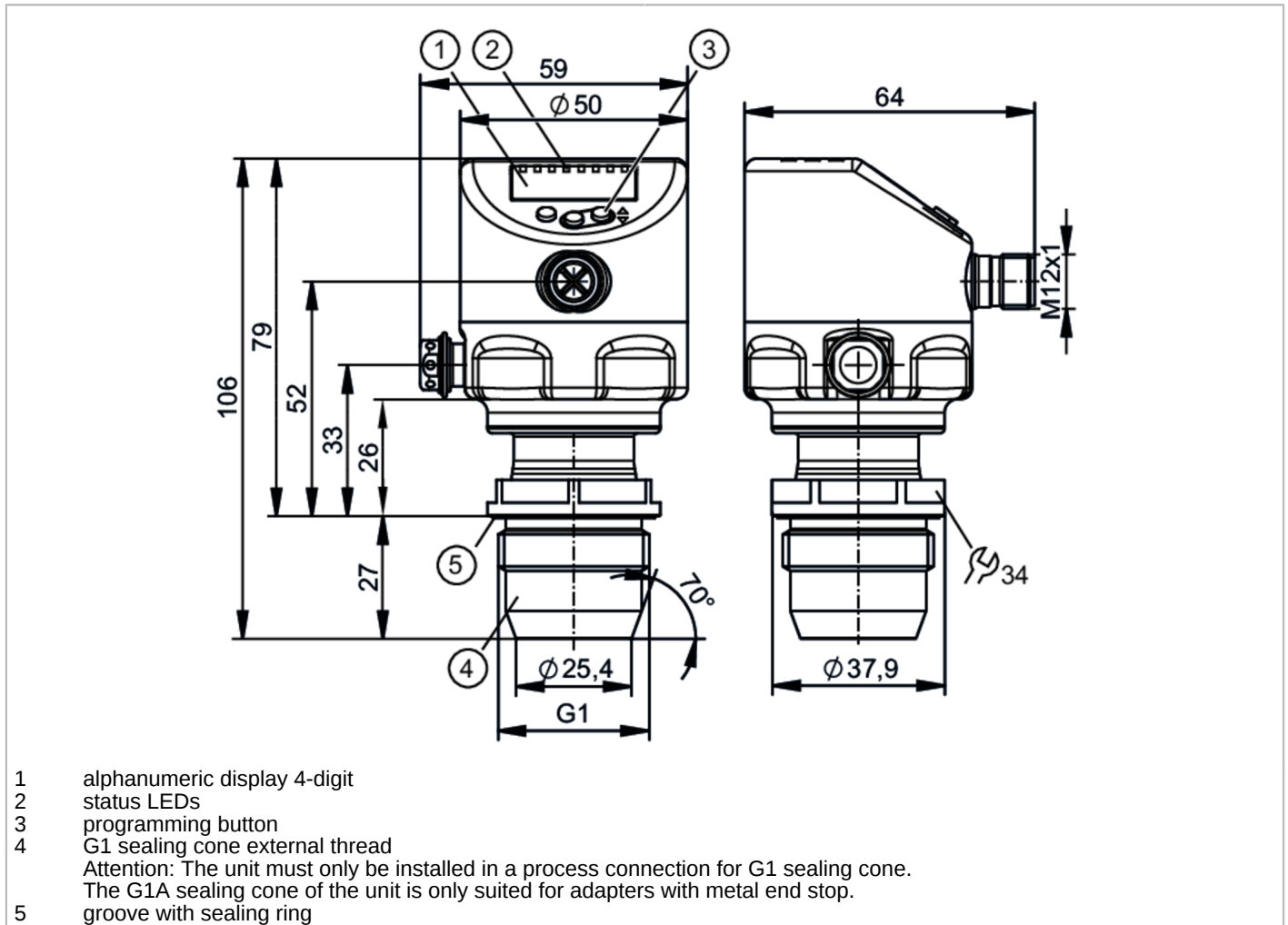


# PI1804



## Flush pressure sensor with display

PI-010-REA01-MFRKG/US/ IP



ACS



CRN



EC 1935/2004

EHEDG Tested

FCM

FDA

Hygienic Cleanable

IO-Link



NSF

NSF

NSF



Reg31 TSDP/TÜV UK CA

### Product characteristics

Number of inputs and outputs	Number of digital outputs: 2; Number of analogue outputs: 1		
Measuring range	-1...10 bar	-14.6...145 psi	-0.1...1 MPa
Process connection	threaded connection G 1 external thread sealing cone Attention: The unit must only be installed in a process connection for G1 sealing cone.; The G1A sealing cone of the unit is only suited for adapters with metal end stop.		

### Application

Special feature	Gold-plated contacts		
Application	flush mountable for the food and beverage industry		
Media	viscous media and liquids with suspended particles; liquids and gases		
Medium temperature [°C]	-25...150		
Min. burst pressure	150 bar	2175 psi	15 MPa
Pressure rating	50 bar	725 psi	5 MPa
Vacuum resistance	-1000 mbar		-0.1 MPa
Type of pressure	relative pressure; vacuum		
No dead space	yes		

# PI1804



## Flush pressure sensor with display

PI-010-REA01-MFRKG/US/ IP

MAWP for applications according to CRN	[bar]	50
--	-------	----

### Electrical data

Min. insulation resistance	[MΩ]	100; (500 V DC)
Protection class		III
Reverse polarity protection		yes
Integrated watchdog		yes

### 2-wire

Operating voltage	[V]	20...30 DC
Current consumption	[mA]	3.5...21.5
Power-on delay time	[s]	< 1

### 3-wire

Operating voltage	[V]	18...30 DC
Current consumption	[mA]	5...45; (430 bei max. Laststrom)
Power-on delay time	[s]	< 0.5

### Inputs / outputs

Number of inputs and outputs	Number of digital outputs: 2; Number of analogue outputs: 1	
------------------------------	---	--

### Outputs

Total number of outputs		2
Output signal		switching signal; analogue signal; IO-Link
Electrical design		PNP/NPN
Number of digital outputs		2
Output function		normally open / normally closed; (parameterisable)
Number of analogue outputs		1
Analogue current output	[mA]	4...20, invertible; (scalable)
Short-circuit protection		yes
Type of short-circuit protection		pulsed
Overload protection		yes

### 2-wire

Max. load	[Ω]	300
-----------	-----	-----

### 3-wire

Max. voltage drop switching output DC	[V]	2
Permanent current rating of switching output DC	[mA]	100
Switching frequency DC	[Hz]	125
Max. load	[Ω]	(U <sub>b</sub> - 10 V) / 21,5 mA; 650 Ω (U <sub>b</sub> = 24 V)

### Measuring/setting range

Measuring range	-1...10 bar	-14.6...145 psi	-0.1...1 MPa
Set point SP	-0.99...10 bar	-14.3...145 psi	-0.099...1 MPa
Reset point rP	-1...9.99 bar	-14.5...144.8 psi	-0.1...0.999 MPa
Analogue start point	-1...8 bar	-14.5...116 psi	-0.1...0.8 MPa
Analogue end point	1...10 bar	14.5...145 psi	0.1...1 MPa



## Flush pressure sensor with display

PI-010-REA01-MFRKG/US/ /P

Min. difference between SP and rP	0.02 bar	0.3 psi	0.002 MPa
In steps of	0.01 bar	0.1 psi	0.001 MPa
Factory setting		SP1 = 2.50 bar	rP1 = 2.30 bar
		SP2 = 7.50 bar	rP2 = 7.30 bar
		ASP = 0.00 bar	AEP = 10.00 bar
		dAP = 0.06 s	dAA = 0.06 s

### Temperature monitoring

Measuring range	-25...150 °C	-13...302 °F
-----------------	--------------	--------------

### Accuracy / deviations

Switch point accuracy [% of the span]	< ± 0,2; (DIN EN IEC 62828-1; Turn down 1:1)	
Repeatability [% of the span]	< ± 0,1; (with temperature fluctuations < 10 K; Turn down 1:1)	
Characteristics deviation [% of the span]	< ± 0,2; (DIN IEC EN 62828-1 incl. zero point and span error, non-linearity, hysteresis; Turn down 1:1)	
Linearity deviation [% of the span]	< ± 0,15; (Turn down 1:1)	
Zero-point stabilisation [% of the span]	IO-Link, analogue output	0,15; (see operating instructions zero-point behaviour)
	display, switching output	0,2
Hysteresis deviation [% of the span]	< ± 0,15; (Turn down 1:1)	
Long-term stability [% of the span]	< ± 0,1; (Turn down 1:1; per year)	
Total deviation over temperature range	<b>Temperature range</b>	<b>total deviation</b>
	-25...15 °C	Characteristics deviation ± 0,05 % of the span / 10 K
	15...80 °C	Characteristics deviation
	80...150 °C	Characteristics deviation ± 0,1 % of the span / 10 K
Notes on the accuracy / deviation	for further details see section Diagrams and graphs	

### Temperature monitoring

Accuracy [K]	± 2,5+ (0,08 x ( Umgebungstemperatur - Mediumtemperatur ))
Repeatability [K]	± 0,2
Resolution [K]	0.2

### Response times

Damping process value dAP [s]	0...99.99
Damping for the analogue output dAA [s]	0...99.99

### 2-wire

Step response time analogue output [ms]	30
---	----

### 3-wire

Min. response time of switching output (dAP) [ms]	3
Step response time analogue output [ms]	7



## Flush pressure sensor with display

PI-010-REA01-MFRKG/US/ IP

Interfaces		
Communication interface	IO-Link	
Transmission type	COM2 (38,4 kBaud)	
IO-Link revision	1.1	
SDCI standard	IEC 61131-9	
Profiles	Common - I&D	Identification and Diagnosis
	Function	Measurement data, high resolution
SIO mode	yes	
Required master port type	A	
Min. process cycle time [ms]	5.6	
IO-Link resolution pressure [bar]	0.0005	
IO-Link resolution temperature [K]	0.2	
IO-Link process data (cyclical)	<b>function</b>	<b>bit length</b>
	pressure	32
	temperature	32
	device status	4
	binary switching information	2
IO-Link functions (acyclical)	application specific tag; internal temperature; operating hours counter; switching cycles counter; Pressure peak counter; measuring cell diagnosis	
Supported DeviceIDs	<b>Type of operation</b>	<b>DeviceID</b>
	default	1156
Operating conditions		
Ambient temperature [°C]	-25...80	
Storage temperature [°C]	-40...100	
Protection	IP 67; IP 68; IP 69K	
Tests / approvals		
EMC	DIN EN 61326-1	
Shock resistance	DIN EN 60068-2-27	50 g (11 ms)
Vibration resistance	DIN EN 60068-2-6	20 g (10...2000 Hz)
MTTF [years]	214	
UL approval	UL approval no.	J049
	File number UL	E174189
Mechanical data		
Weight [g]	385.2	
Housing	cylindrical	
Dimensions [mm]	Ø 50 / L = 106	
Materials	Housing: stainless steel (316L/1.4404); pushbuttons: PBT; sealings: FKM; M12 connector: PEI; Display: PFA; ventilation diaphragm: PTFE	
Materials (wetted parts)	measuring cell: ceramics (99.9 % Al2O3); Process connection: stainless steel (316L/1.4435) surface characteristics: Ra < 0,4 µm / Rz = 4 µm; Sealing: PTFE	
Min. pressure cycles	100 million	
Tightening torque [Nm]	20	
Process connection	threaded connection G 1 external thread sealing cone Attention: The unit must only be installed in a process connection for G1 sealing cone.; The G1A sealing cone of the unit is only suited for adapters with metal end stop.	

# PI1804



## Flush pressure sensor with display

PI-010-REA01-MFRKG/US/ IP

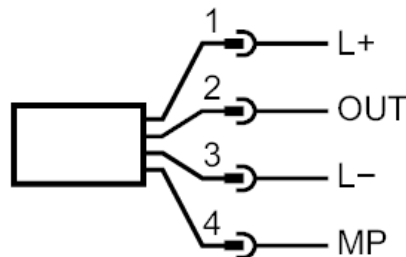
Displays / operating elements		
Display	Display unit	LED, green
	switching status	LED, yellow
	function display	alphanumeric display, 4-digit
	measured values	alphanumeric display, 4-digit
Display unit	bar; psi; MPa	

Remarks	
Pack quantity	1 pcs.

**Electrical connection**  
 Connector: 1 x M12; coding: A; Contacts: gold-plated



### Connection



### 2-wire

1	L+	
2	OUT	AO

### 3-wire

1	L+	
2	OUT	DO2 (NO/NC), AO
3	L-	
4	MP	DO1 (NO/NC), IO-Link

### parameter setting

1	L+	
3	L-	
4	MP	IO-Link

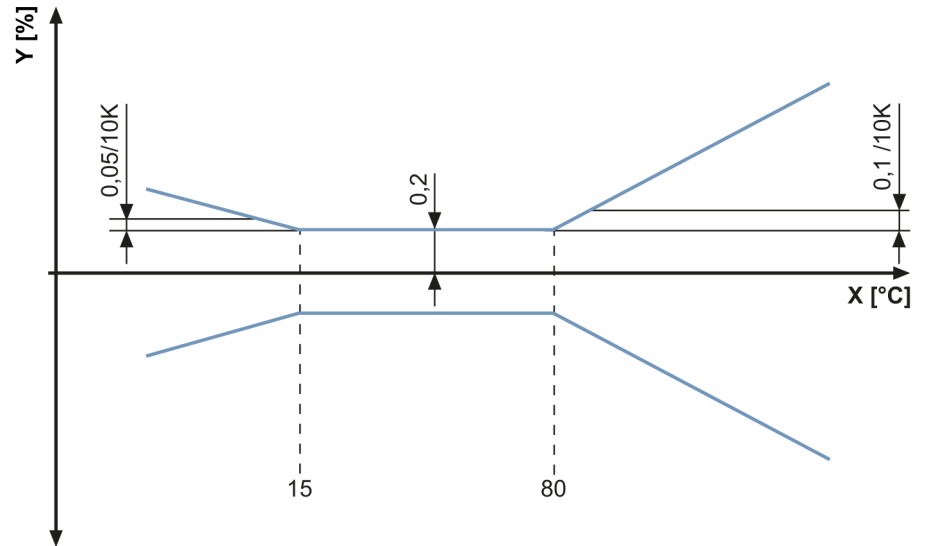


## Flush pressure sensor with display

PI-010-REA01-MFRKG/US/ IP

### Diagrams and graphs

ambient temperature influence on the accuracy



X temperature  
Y total deviation