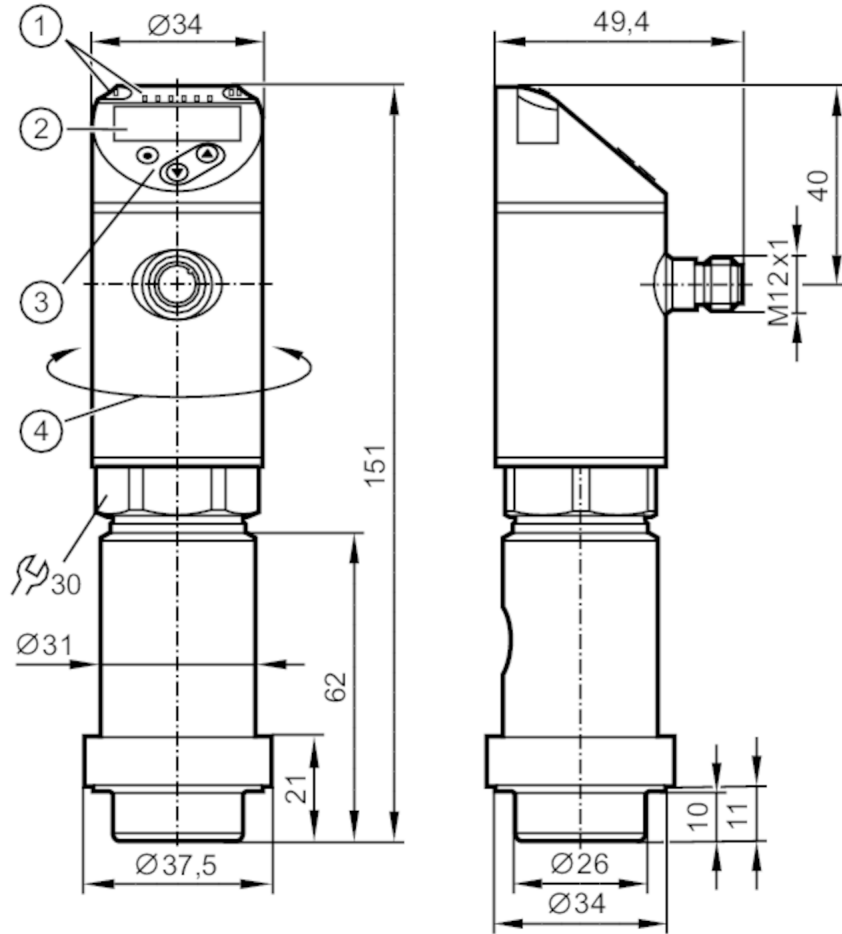


PY9060



Pressure sensor with display

PN-600-SE MFRKG/US/ /



- 1 LEDs Display unit switching status
- 2 analogue display, 4-digit alphanumeric display
- 3 programming button



Product characteristics

Number of inputs and outputs	Number of digital outputs: 2; Number of analogue outputs: 1		
Measuring range	0...600 bar	0...8700 psi	0...60 MPa
Process connection	homogeniser connection		

Application

Special feature	Gold-plated contacts		
Measuring element	diaphragm seal		
Application	flush mountable for the food and beverage industry		
Media	liquids and gases		
Medium temperature [°C]	5...125; (150 maximum 1h)		
Min. burst pressure	1200 bar	17400 psi	120 MPa
Pressure rating	800 bar	11580 psi	80 MPa
Vacuum resistance	-1000 mbar	-0.1 MPa	
Type of pressure	relative pressure		

Electrical data

Operating voltage [V]	18...30 DC; (to SELV/PELV)		
-----------------------	----------------------------	--	--

PY9060



Pressure sensor with display

PN-600-SE MFRKG/US/ /

Current consumption	[mA]	< 35
Min. insulation resistance	[MΩ]	100; (500 V DC)
Protection class		III
Reverse polarity protection		yes
Power-on delay time	[s]	0.3
Integrated watchdog		yes

Inputs / outputs

Number of inputs and outputs	Number of digital outputs: 2; Number of analogue outputs: 1
------------------------------	---

Outputs

Total number of outputs	2	
Output signal	switching signal; analogue signal; IO-Link; (configurable)	
Electrical design	PNP/NPN	
Number of digital outputs	2	
Output function	normally open / normally closed; (parameterisable)	
Max. voltage drop switching output DC	[V]	2
Permanent current rating of switching output DC	[mA]	250
Switching frequency DC	[Hz]	< 500
Number of analogue outputs	1	
Analogue current output	[mA]	4...20; (scalable 1:5)
Max. load	[Ω]	500
Analogue voltage output	[V]	0...10; (scalable 1:5)
Min. load resistance	[Ω]	2000
Short-circuit protection		yes
Type of short-circuit protection		pulsed
Overload protection		yes

Measuring/setting range

Measuring range	0...600 bar	0...8700 psi	0...60 MPa
Set point SP	4...600 bar	60...8700 psi	0.4...60 MPa
Reset point rP	1...597 bar	20...8660 psi	0.1...59.7 MPa
Analogue start point	0...480 bar	0...6960 psi	0...48 MPa
Analogue end point	120...600 bar	1740...8700 psi	12...60 MPa
In steps of	1 bar	20 psi	0.1 MPa

Accuracy / deviations

Switch point accuracy	[% of the span]	< ± 0,4; (Turn down 1:1)
Repeatability	[% of the span]	< ± 0,1; (with temperature fluctuations < 10 K; Turn down 1:1)
Characteristics deviation	[% of the span]	< ± 1; (linearity, incl. hysteresis and repeatability; limit value setting to DIN EN IEC 62828-1)
Hysteresis deviation	[% of the span]	< ± 0,1; (Turn down 1:1)
Long-term stability	[% of the span]	< ± 0,05; (Turn down 1:1; per 6 months)

PY9060



Pressure sensor with display

PN-600-SE MFRKG/US/ /

Temperature coefficient zero point [% of the span / 10 K]	0,2; (5...80 °C)
Temperature coefficient span [% of the span / 10 K]	0,2; (5...80 °C)

Response times

Response time [ms]	< 1.5
Delay time programmable dS, dr [s]	0...50
Damping process value dAP [s]	0...4
Damping for the analogue output dAA [s]	0...4
Max. response time analogue output [ms]	3

Software / programming

Parameter setting options	hysteresis / window; normally open / normally closed; switch-on/ switch-off delay; Damping; Display unit; current/voltage output
---------------------------	--

Interfaces

Communication interface	IO-Link	
Transmission type	COM2 (38,4 kBaud)	
IO-Link revision	1.1	
SDCI standard	IEC 61131-9	
Profiles	Smart Sensor - SSP 0	Generic Profiled Sensor
	Function	Device identification
	Function	Process data variable
	Function	Device diagnosis
SIO mode	yes	
Required master port type	A	
Process data analogue	1	
Process data binary	2	
Min. process cycle time [ms]	2.3	
Supported DeviceIDs	Type of operation	DeviceID
	default	458

Operating conditions

Ambient temperature [°C]	5...80
Storage temperature [°C]	-40...100
Protection	IP 67

Tests / approvals

EMC	DIN EN 61000-6-2	
	DIN EN 61000-6-3	
Shock resistance	DIN EN 60068-2-27	50 g (11 ms)
Vibration resistance	DIN EN 60068-2-6	10 g (10...2000 Hz)
MTTF [years]	143	

Mechanical data

Weight [g]	675
Housing	cylindrical

PY9060



Pressure sensor with display

PN-600-SE MFRKG/JS/ /

Dimensions	[mm]	Ø 34 / L = 151
Materials		stainless steel (630/1.4542/17-4 PH); stainless steel (316L/1.4404); stainless steel (316L/1.4435); PBT+PC-GF30; PBT-GF20; PC
Materials (wetted parts)		stainless steel (316L/1.4435)
Min. pressure cycles		60 million; (at 1.2 times nominal pressure)
Process connection		homogeniser connection

Displays / operating elements

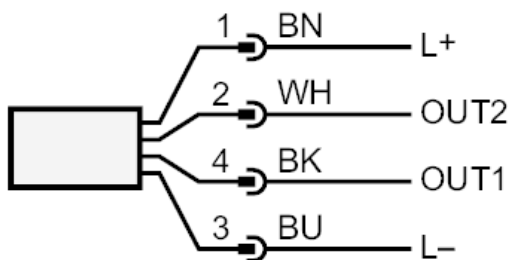
Display	Display unit	3 x LED, green (bar, psi, MPa)
	switching status	2 x LED, yellow
	measured values	alphanumeric display, red/green 4-digit

Remarks

Pack quantity	1 pcs.
---------------	--------

Electrical connection

Connector: 1 x M12; coding: A; Contacts: gold-plated



OUT1 switching output or IO-Link
 OUT2 switching output or analogue output
 colours to DIN EN 60947-5-2
 Core colours :
 BK = black
 BN = brown
 BU = blue
 WH = white