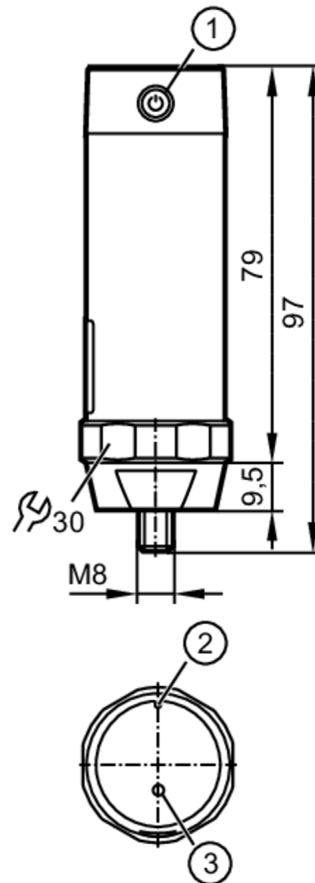




## Wireless vibration sensor

VIBRATION SENSOR WIRELESS



- 1 mains switch
- 2 notch for orientation
- 3 status LED



### Product characteristics

Measuring range of vibration [g]	-16...16
Measuring range of vibration [mm/s]	0...25
Frequency range [Hz]	10...1000

### Application

Application	vibration sensor to ISO 10816
Radio approval for	USA; Canada; EU/RED; Australia; Brazil
Note on radio approval	The list of countries applying the European Radio Equipment Directive 2014/53/EU (RED) can be found under "Downloads".

### Electrical data

Operating voltage [V]	3.6 DC; (lithium thionyl chloride battery; battery life: > 4 years battery cannot be replaced)
Protection class	III
Sensor type	microelectromechanical system (MEMS)

### Measuring/setting range

Measuring range of vibration [g]	-16...16
Measuring range of vibration [mm/s]	0...25
Frequency range [Hz]	10...1000



## Wireless vibration sensor

VIBRATION SENSOR WIRELESS

Number of measurement axes	3	
<b>Temperature measurement</b>		
Measuring range [°C]	-30...80	
Resolution [°C]	0.1	
<b>Accuracy / deviations</b>		
Accuracy	≤ 10 %	
Linearity deviation	≤ 10 %	
<b>Software / programming</b>		
Parameter setting options	MQTT	
<b>Interfaces</b>		
Frequency band	2,4 GHz ISM	
Range	< 25 m	
Safety standard	AES-128	
Protocol	proprietary	
<b>Operating conditions</b>		
Ambient temperature [°C]	-30...80	
Note on ambient temperature	-20...55 °C recommended temperature for maximum battery life	
Storage temperature [°C]	-30...80	
Protection	IP 68	
<b>Tests / approvals</b>		
EMC	DIN EN 61000-6-2	
	DIN EN 301489-1	
	DIN EN 301489-17	
<b>Mechanical data</b>		
Weight [g]	169.3	
Type of mounting	set screw; (M8)	
Materials	housing: stainless steel (316L/1.4404); polyethylene	
Tightening torque [Nm]	8	
<b>Accessories</b>		
Items supplied	Mounting adapter	
<b>Remarks</b>		
Pack quantity	1 pcs.	