



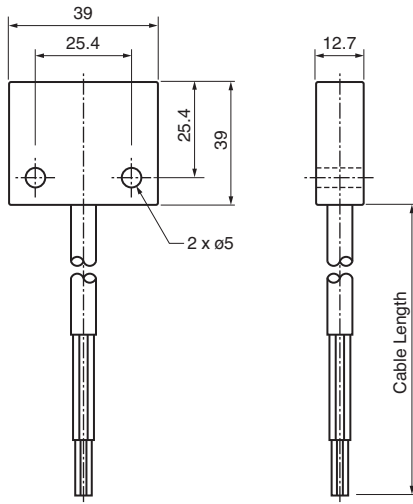
Magnetic field sensor

50FY41-V4A-12

- Hall Effect Sensor
- Sensing range 2.5 mm
- 4-wire DC



Dimensions



Technical Data

General specifications		
Switching function		Normally open (NO)
Output type		PNP/NPN
Rated operating distance	s_n	2.5 mm at 0 mm offset, 1.3 mm at 3.5 mm offset, 0 mm at 4.0 mm offset
Installation		non-flush
Output polarity		DC
Output type		4-wire
Nominal ratings		
Operating voltage	U_B	10 ... 12 V
Short-circuit protection		NO
Voltage drop	U_d	7 V @ 10 K load, 12 V supply
Operating current	I_L	0.5 mA
Current consumption		30 mA
Compliance with standards and directives		
Standard conformity		

Release date: 2025-12-08 Date of issue: 2025-12-08 Filename: 915923_eng.pdf

Refer to "General Notes Relating to Pepperl+Fuchs Product Information".

Pepperl+Fuchs Group
www.pepperl-fuchs.com

USA: +1 330 486 0001
fa-info@us.pepperl-fuchs.com

Germany: +49 621 776 1111
fa-info@de.pepperl-fuchs.com

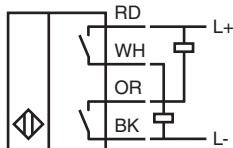
Singapore: +65 6779 9091
fa-info@sg.pepperl-fuchs.com

 PEPPERL+FUCHS

Technical Data

Standards	IEC 60947-5-2:2012 IEC 60947-5-3:2013 IEC 61236-3-1:2008	
Approvals and certificates		
CE conformity	2014/30/EU	
UL approval	cULus Listed Load Type: General Purpose Circuitry: Class 2 Power Source Enclosure Type Rating: Type 1 Supply/Switching Voltage: 12 V DC	
Ambient conditions		
Ambient temperature	-40 ... 100 °C (-40 ... 212 °F)	
Mechanical specifications		
Connection type	cable	
Housing material	316 stainless steel	
Sensing face	316 stainless steel	
Degree of protection	IP69K	
Cable		
Cable diameter	6.4 mm ± 0.4 mm	
Bending radius	> 10 x cable diameter	
Material	PVC	
Color	yellow	
Number of cores	4	
Core cross section	0.34 mm ²	
Length	L	3.5 m
Dimensions		
Width	39 mm	
Depth	12.7 mm	
Length	39 mm	
Note	Only approved for use with FYQLA1-140R-3 and KE5D2-6H/2R-S Use only with actuator 52FY31-V4A	

Connection Assignment



Release date: 2025-12-08 Date of issue: 2025-12-08 Filename: 915923_eng.pdf

Refer to "General Notes Relating to Pepperl+Fuchs Product Information".

Pepperl+Fuchs Group
www.pepperl-fuchs.com

USA: +1 330 486 0001
fa-info@us.pepperl-fuchs.com

Germany: +49 621 776 1111
fa-info@de.pepperl-fuchs.com

Singapore: +65 6779 9091
fa-info@sg.pepperl-fuchs.com

 PEPPERL+FUCHS