





Illustration may differ

### Ordering information

| Type               | part no. |
|--------------------|----------|
| WTB12L-24161720A00 | 1126040  |

Other models and accessories → [www.sick.com/W12](http://www.sick.com/W12)



### Detailed technical data

#### Features

|  |   |
|--|---|
| <b>Functional principle</b>  | Photoelectric proximity sensor  |
| <b>Functional principle detail</b>   | Background suppression  |
| <b>Sensing range</b>   |   |
| Sensing range min.   | 15 mm   |
| Sensing range max.   | 400 mm  |
| Adjustable switching threshold for background suppression                        | 30 mm ... 400 mm  |
| Reference object   | Object with 90% remission factor (complies with standard white according to DIN 5033) |
| Minimum distance between set sensing range and background (black 6% / white 90%) | 1 mm, at a distance of 100 mm   |
| Recommended sensing range for the best performance                               | 50 mm ... 140 mm  |
| <b>Emitted beam</b>  |   |
| Light source   | Laser   |
| Type of light  | Visible red light   |
| Shape of light spot  | Ellipse shape   |
| Light spot size (distance)   | 0.17 mm x 0.1 mm (100 mm)   |

<sup>1)</sup> Do not intentionally look into the laser beam. Never point the laser beam at people's eyes.

|   |   |
|---|---|
| Maximum dispersion of the emitted beam around the standardized transmission axis (squint angle) | < +/- 1.0° (at T <sub>U</sub> = +23 °C)   |
| <b>Focus position</b>   | 100 mm  |
| <b>Key laser figures</b>  |   |
| Normative reference   | EN 60825-1:2014, IEC 60825-1:2014   |
| Laser class   | 1 <sup>1)</sup>   |
| Wave length   | 655 nm  |
| Pulse duration  | 4 µs  |
| Maximum pulse power   | < 4.03 mW   |
| Average service life  | 50,000 h at T <sub>U</sub> = +25 °C   |
| <b>Smallest detectable object (MDO) typ.</b>  |   |
|   | 0.25 mm, at a distance of 100 mm  |
|   | Object with 90% remission factor (complies with standard white according to DIN 5033)             |
| <b>Adjustment</b>   |   |
| Teach-Turn adjustment   | BluePilot<br>For setting the sensing range  |
| IO-Link   | For configuring the sensor parameters and Smart Task functions                                    |
| <b>Display</b>  |   |
| LED blue  | BluePilot: sensing range indicator  |
| LED green   | Operating indicator<br>Static on: power on<br>Flashing: IO-Link mode                              |
| LED yellow  | Status of received light beam<br>Static on: object present<br>Static off: object not present      |
| <b>Special applications</b>   | Detecting small objects, Detection of objects moving at high speeds, Detecting perforated objects |

<sup>1)</sup> Do not intentionally look into the laser beam. Never point the laser beam at people's eyes.

### Safety-related parameters

|                                     |           |
|-------------------------------------|-----------|
| <b>MTTF<sub>D</sub></b>             | 280 years |
| <b>DC<sub>avg</sub></b>             | 0 %       |
| <b>T<sub>M</sub> (mission time)</b> | 10 years  |

### Communication interface

|                        |  |
|------------------------|--|
| <b>IO-Link</b>         | ✓, IO-Link V1.1  |
| Data transmission rate | COM2 (38,4 kBaud)  |
| Cycle time             | 2.3 ms   |
| Process data length    | 16 Bit   |
| Process data structure | Bit 0 = switching signal Q <sub>L1</sub><br>Bit 1 = switching signal Q <sub>L2</sub><br>Bit 2 ... 15 = Current receiver level (live) |
| VendorID               | 26   |
| DeviceID HEX           | 0x8002D5   |
| DeviceID DEC           | 8389333  |

|                             |     |
|-----------------------------|-----|
| Compatible master port type | A   |
| SIO mode support            | Yes |

**Electronics**

|  |  |
|--|--|
| <b>Supply voltage <math>U_B</math></b> | 10 V DC ... 30 V DC <sup>1)</sup>  |
| <b>Ripple</b>                          | $\leq 5$ V   |
| <b>Usage category</b>                  | DC-12 (According to EN 60947-5-2)<br>DC-13 (According to EN 60947-5-2)   |
| <b>Current consumption</b>             | $\leq 14$ mA, without load. At $U_B = 24$ V  |
| <b>Protection class</b>                | III  |
| <b>Digital output</b>                  |  |
| Number                                 | 2 (Complementary)  |
| Type                                   | Push-pull: PNP/NPN   |
| Switching mode                         | Light/dark switching   |
| Signal voltage PNP HIGH/LOW            | Approx. $U_B - 2.5$ V / 0 V  |
| Signal voltage NPN HIGH/LOW            | Approx. $U_B / < 2.5$ V  |
| Output current $I_{max.}$              | $\leq 100$ mA  |
| Circuit protection outputs             | Reverse polarity protected<br>Overcurrent protected<br>Short-circuit protected   |
| Response time                          | $\leq 200$ $\mu$ s <sup>2)</sup>   |
| Repeatability (response time)          | 85 $\mu$ s <sup>2)</sup>   |
| Switching frequency                    | 2,500 Hz <sup>3)</sup>   |
| <b>Pin/Wire assignment</b>             |  |
| BN 1                                   | + (L+)   |
| WH 2                                   | $\bar{Q}_{L1}/MF$<br>Digital output, dark switching, object present $\rightarrow$ output $\bar{Q}_{L1}$ LOW <sup>4)</sup><br>The pin 2 function of the sensor can be configured<br>Additional possible settings via IO-Link            |
| BU 3                                   | - (M)  |
| BK 4                                   | QL1/C<br>Digital output, light switching, object present $\rightarrow$ output $Q_{L1}$ HIGH <sup>4)</sup><br>The pin 4 function of the sensor can be configured<br>IO-Link communication C<br>Additional possible settings via IO-Link |

<sup>1)</sup> Limit values.

<sup>2)</sup> Signal transit time with resistive load in switching mode.

<sup>3)</sup> With light/dark ratio 1:1.

<sup>4)</sup> This switching output must not be connected to another output.

**Mechanics**

|                               |                             |
|-------------------------------|-----------------------------|
| <b>Housing</b>                | Rectangular                 |
| <b>Dimensions (W x H x D)</b> | 15.6 mm x 49.5 mm x 43.1 mm |
| <b>Connection</b>             | Male connector M12, 4-pin   |
| <b>Material</b>               |                             |

|   |                     |
|---|---------------------|
| Housing   | Metal, zinc diecast |
| Front screen  | Plastic, PMMA       |
| Male connector  | Plastic, VISTAL®    |
| <b>Weight</b>   | Approx. 77 g        |
| <b>Maximum tightening torque of the fixing screws</b> | 1.4 Nm              |

## Ambient data

|  |   |
|--|---|
| <b>Enclosure rating</b>                    | IP66 (EN 60529)<br>IP67 (EN 60529)<br>IP69 (EN 60529)   |
| <b>Ambient operating temperature</b>       | -20 °C ... +55 °C   |
| <b>Ambient temperature, storage</b>        | -40 °C ... +70 °C   |
| <b>Warm-up time</b>                        | < 15 min, Where $T_u$ is under -10 °C   |
| <b>Typ. Ambient light immunity</b>         | Artificial light: ≤ 50,000 lx<br>Sunlight: ≤ 50,000 lx  |
| <b>Shock resistance</b>                    | 50 g, 11 ms (25 positive and 25 negative shocks along X, Y, Z axes, 150 total shocks (EN60068-2-27))            |
| <b>Vibration resistance</b>                | 10 Hz ... 2,000 Hz (Amplitude 0.5 mm / 10 g, 20 sweeps per axis, for X, Y, Z axes, 1 octave/min, (EN60068-2-6)) |
| <b>Air humidity</b>                        | 35 % ... 95 %, relative humidity (no condensation)  |
| <b>Electromagnetic compatibility (EMC)</b> | EN 60947-5-2  |
| <b>Resistance to cleaning agent</b>        | ECOLAB  |
| <b>UL File No.</b>                         | NRKH.E181493 & NRKH7.E181493  |

## Smart Task

|                                 |   |
|---------------------------------|---|
| <b>Smart Task name</b>          | Base logics   |
| <b>Logic function</b>           | Direct<br>AND<br>OR   |
| <b>Timer function</b>           | Deactivated<br>Switch-on delay<br>Off delay<br>ON and OFF delay<br>Impulse (one shot) |
| <b>Inverter</b>                 | Yes   |
| <b>Switching frequency</b>      | SIO Logic: 2000 Hz <sup>1)</sup><br>IOL: 1600 Hz <sup>2)</sup>                        |
| <b>Response time</b>            | SIO Logic: 250 μs <sup>1)</sup><br>IOL: 300 μs <sup>2)</sup>                          |
| <b>Repeatability</b>            | SIO Logic: 120 μs <sup>1)</sup><br>IOL: 150 μs <sup>2)</sup>                          |
| <b>Switching signal</b>         |   |
| Switching signal $Q_{L1}$       | Switching output  |
| Switching signal $\bar{Q}_{L1}$ | Switching output  |

<sup>1)</sup> Use of Smart Task functions without IO-Link communication (SIO mode).

<sup>2)</sup> Use of Smart Task functions with IO-Link communication function.

## Diagnosis

|  |                                      |
|--|--------------------------------------|
| <b>Device temperature</b>                          |                                      |
| Measuring range                                    | Very cold, cold, moderate, warm, hot |
| <b>Device status</b>                               | Yes                                  |
| <b>Detailed device status</b>                      | Yes                                  |
| <b>Operating hour counter</b>                      | Yes                                  |
| <b>Operating hours counter with reset function</b> | Yes                                  |
| <b>Quality of teach</b>                            | Yes                                  |

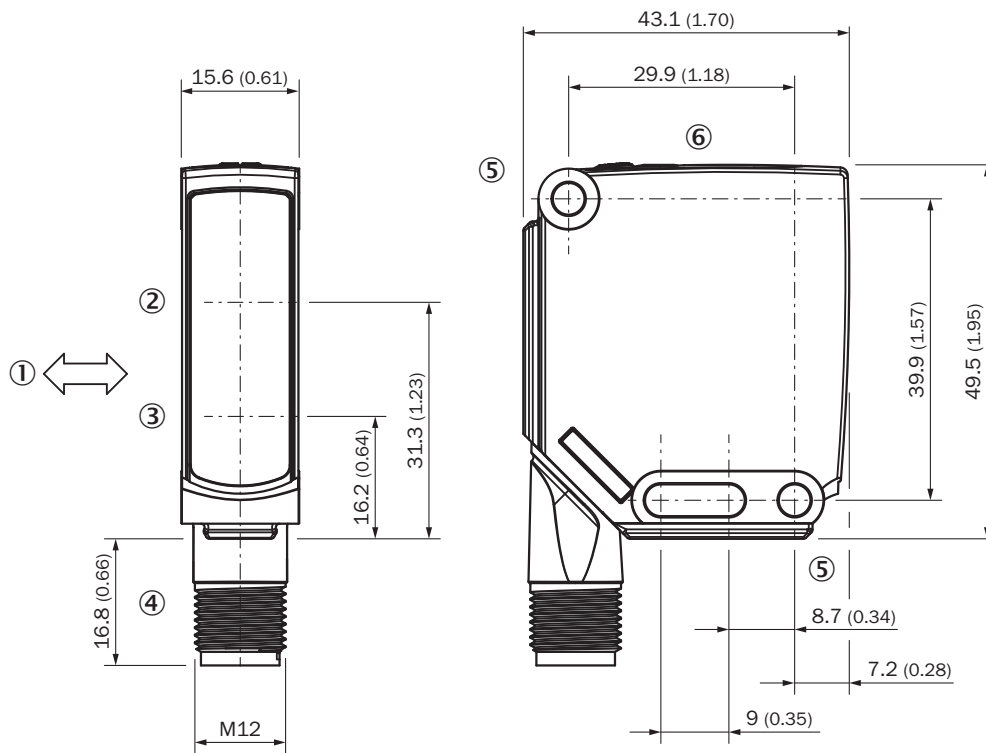
## Certificates

|  |   |
|--|---|
| <b>EU declaration of conformity</b>  | ✓ |
| <b>UK declaration of conformity</b>  | ✓ |
| <b>ACMA declaration of conformity</b>  | ✓ |
| <b>Moroccan declaration of conformity</b>                                    | ✓ |
| <b>China RoHS</b>  | ✓ |
| <b>ECOLAB certificate</b>  | ✓ |
| <b>cULus certificate</b>   | ✓ |
| <b>IO-Link certificate</b>   | ✓ |
| <b>Laser safety (IEC 60825-1) declaration of manufacturer</b>                | ✓ |
| <b>Information according to Art. 3 of Data Act (Regulation EU 2023/2854)</b> | ✓ |

## Classifications

|                       |          |
|-----------------------|----------|
| <b>ECLASS 5.0</b>     | 27270904 |
| <b>ECLASS 5.1.4</b>   | 27270904 |
| <b>ECLASS 6.0</b>     | 27270904 |
| <b>ECLASS 6.2</b>     | 27270904 |
| <b>ECLASS 7.0</b>     | 27270904 |
| <b>ECLASS 8.0</b>     | 27270904 |
| <b>ECLASS 8.1</b>     | 27270904 |
| <b>ECLASS 9.0</b>     | 27270904 |
| <b>ECLASS 10.0</b>    | 27270904 |
| <b>ECLASS 11.0</b>    | 27270904 |
| <b>ECLASS 12.0</b>    | 27270903 |
| <b>ETIM 5.0</b>       | EC002719 |
| <b>ETIM 6.0</b>       | EC002719 |
| <b>ETIM 7.0</b>       | EC002719 |
| <b>ETIM 8.0</b>       | EC002719 |
| <b>UNSPSC 16.0901</b> | 39121528 |

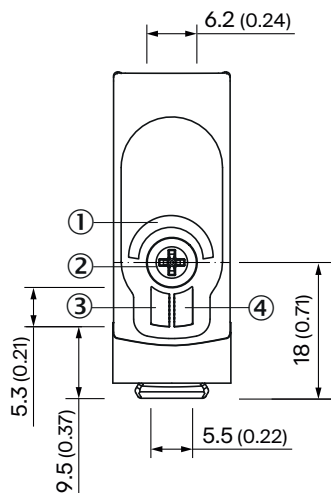
Dimensional drawing



Dimensions in mm (inch)

- ① Standard direction of the material being detected
- ② Center of optical axis, receiver
- ③ Center of optical axis, sender
- ④ Connection
- ⑤ Mounting hole, Ø 4.2 mm
- ⑥ display and adjustment elements

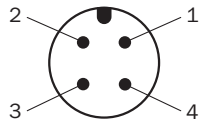
display and adjustment elements



- ① LED blue
- ② Teach-Turn adjustment
- ③ LED green

④ LED yellow

Connection type M12 male connector, 4-pin



Truth table Push-pull: PNP/NPN - dark switching  $\bar{Q}$

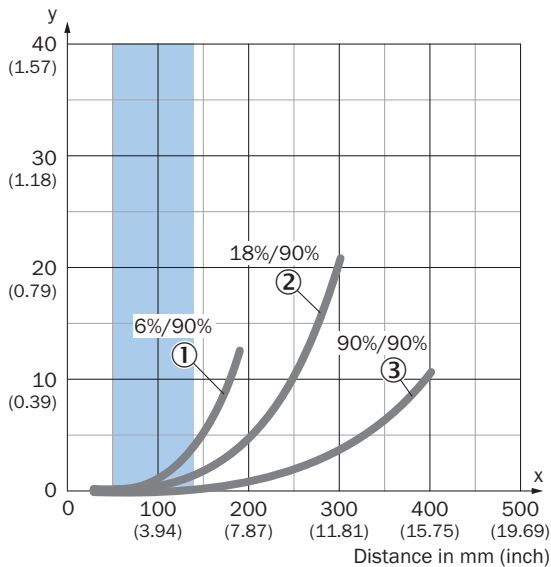
|                         | Dark switching $\bar{Q}$ (normally closed (upper switch), normally open (lower switch)) |                             |
|-------------------------|---|-----------------------------|
|                         | Object not present → Output HIGH  | Object present → Output LOW |
| Light receive           | ✘   | ✔                           |
| Light receive indicator | ✘   | ☀                           |
| Load resistance to L+   | ✘   | ⚡                           |
| Load resistance to M    | ⚡   | ✘                           |
|                         |   |                             |

Truth table Push-pull: PNP/NPN - light switching Q

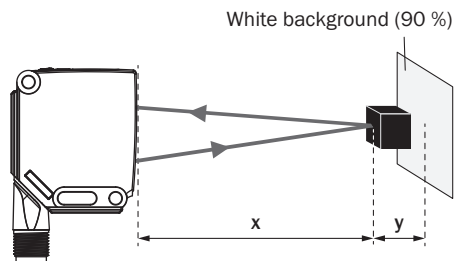
|                         | Light switching Q (normally open (upper switch), normally closed (lower switch)) |                              |
|-------------------------|--|------------------------------|
|                         | Object not present → Output LOW  | Object present → Output HIGH |
| Light receive           | ⊗  | ☑                            |
| Light receive indicator | ⊗  | ☀                            |
| Load resistance to L+   | ⚡  | ⊗                            |
| Load resistance to M    | ⊗  | ⚡                            |
|                         |  |                              |

Characteristic curve

Minimum distance in mm (y) between the set sensing range and white background (90 % remission)



Example:  
Safe suppression of the background



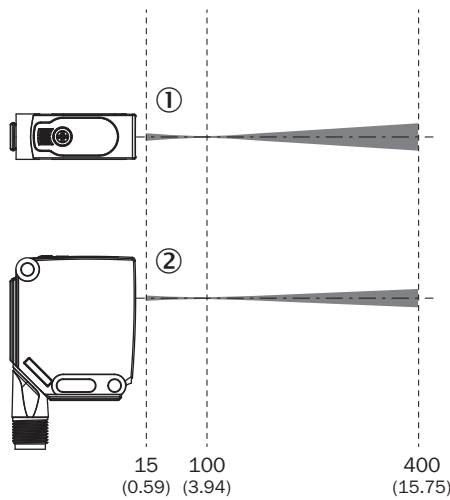
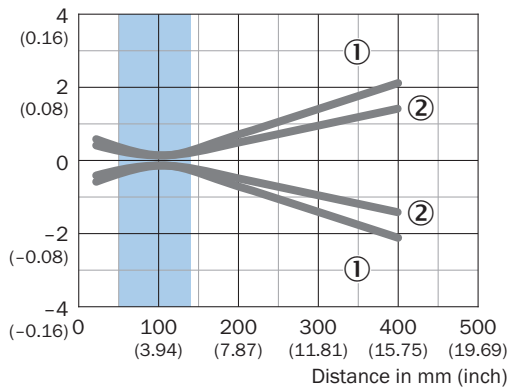
Black object (6 % remission)  
Set sensing range x = 100 mm  
Needed minimum distance to white background y = 1 mm

Recommended sensing range for the best performance

- ① Black object, 6% remission factor
- ② Gray object, 18% remission factor
- ③ White object, 90% remission factor

Light spot size

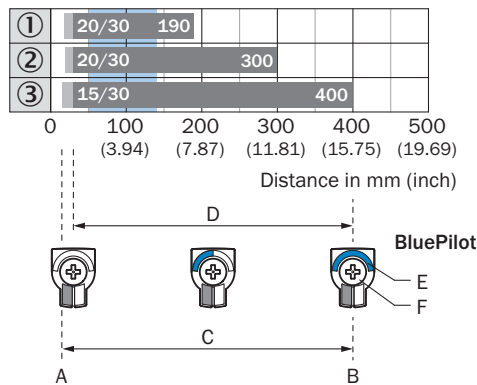
Dimensions in mm (inch)



Recommended sensing range for the best performance

- ① Light spot horizontal
- ② Light spot vertical

Sensing range diagram












Recommended sensing range for the best performance

|   |   |
|---|---|
| 1 | Black object, 6% remission factor                         |
| 2 | Gray object, 18% remission factor                         |
| 3 | White object, 90% remission factor                        |
| A | Sensing range min. in mm                                  |
| B | Sensing range max. in mm                                  |
| C | Field of view   |
| D | Adjustable switching threshold for background suppression |
| E | Sensing range indicator                                   |
| F | Teach-Turn adjustment                                     |

Recommended accessories

Other models and accessories → [www.sick.com/W12](http://www.sick.com/W12)

|   | Brief description  | Type               | part no. |
|---|--|--------------------|----------|
| <b>Mounting systems</b>   |  |                    |          |
|    | <ul style="list-style-type: none"> <li><b>Description:</b> Plate N03 for universal clamp bracket, zinc coated</li> <li><b>Material:</b> Steel, zinc diecast</li> <li><b>Details:</b> Zinc plated steel (sheet), Zinc die cast (clamping bracket)</li> <li><b>Items supplied:</b> Universal clamp (5322626), mounting hardware</li> <li><b>Usable for:</b> UC12, W14-2, W18-2, W18-3, W11-2, W12-3, W12-2 Laser, W12G, W12 Teflon, W16, W24-2 Ex, PowerProx, W11G-2, TranspaTect, W18-3 Ex, W24-2, PL50A, PL80A, PL40A, P250</li> </ul> | BEF-KHS-N03        | 2051609  |
|    | <ul style="list-style-type: none"> <li><b>Description:</b> Clamping block for dovetail mounting</li> <li><b>Material:</b> Aluminum</li> <li><b>Details:</b> Aluminum (anodised)</li> <li><b>Items supplied:</b> Mounting hardware included</li> <li><b>Suitable for:</b> W11-2, W12-3</li> </ul>   | BEF-KH-W12         | 2013285  |
|    | <ul style="list-style-type: none"> <li><b>Description:</b> Mounting bracket, large</li> <li><b>Material:</b> Stainless steel</li> <li><b>Details:</b> Stainless steel</li> <li><b>Items supplied:</b> Mounting hardware included</li> <li><b>Suitable for:</b> W11-2, W12-3, W16</li> </ul>  | BEF-WG-W12         | 2013942  |
|   | <ul style="list-style-type: none"> <li><b>Material:</b> Aluminum</li> <li><b>Details:</b> Aluminum</li> <li><b>Items supplied:</b> Including mounting material (sensor) and mounting material (bracket)</li> <li><b>Usable for:</b> Adapter plate for W23L/W27L to W12L</li> </ul>   | BEF-AP-W12         | 2127742  |
| <b>connectors and cables</b>  |  |                    |          |
|  | <ul style="list-style-type: none"> <li><b>Connection type head A:</b> Female connector, M12, 4-pin, straight, A-coded</li> <li><b>Connection type head B:</b> Flying leads</li> <li><b>Signal type:</b> Sensor/actuator cable</li> <li><b>Cable:</b> 5 m, 4-wire, PVC</li> <li><b>Description:</b> Sensor/actuator cable, unshielded</li> <li><b>Application:</b> Zones with chemicals, Uncontaminated zones</li> </ul>  | YF2A14-050VB3XLEAX | 2096235  |
|  | <ul style="list-style-type: none"> <li><b>Connection type head A:</b> Female connector, M12, 4-pin, straight, A-coded</li> <li><b>Connection type head B:</b> Flying leads</li> <li><b>Signal type:</b> Sensor/actuator cable</li> <li><b>Cable:</b> 5 m, 4-wire, PUR, halogen-free</li> <li><b>Description:</b> Sensor/actuator cable, unshielded</li> <li><b>Application:</b> Uncontaminated zones, Zones with oils and lubricants, Robot, Drag chain operation</li> </ul>   | YF2A14-050UB3XLEAX | 2095608  |

|   | Brief description | Type             | part no. |
|---|-------------------|------------------|----------|
| network devices   |                   |                  |          |
|    |                   | SIG300-0A0GAA100 | 1131014  |
|    |                   | SIG300-0A04AA100 | 1131011  |
|   |                   | SIG300-0A05AA100 | 1131012  |
|  |                   | SIG300-0A06AA100 | 1131013  |

## SICK AT A GLANCE

SICK is one of the leading manufacturers of intelligent sensors and sensor solutions for industrial applications. A unique range of products and services creates the perfect basis for controlling processes securely and efficiently, protecting individuals from accidents and preventing damage to the environment.

We have extensive experience in a wide range of industries and understand their processes and requirements. With intelligent sensors, we can deliver exactly what our customers need. In application centers in Europe, Asia and North America, system solutions are tested and optimized in accordance with customer specifications. All this makes us a reliable supplier and development partner.

Comprehensive services complete our offering: SICK LifeTime Services provide support throughout the machine life cycle and ensure safety and productivity.

For us, that is “Sensor Intelligence.”

## WORLDWIDE PRESENCE:

Contacts and other locations –[www.sick.com](http://www.sick.com)