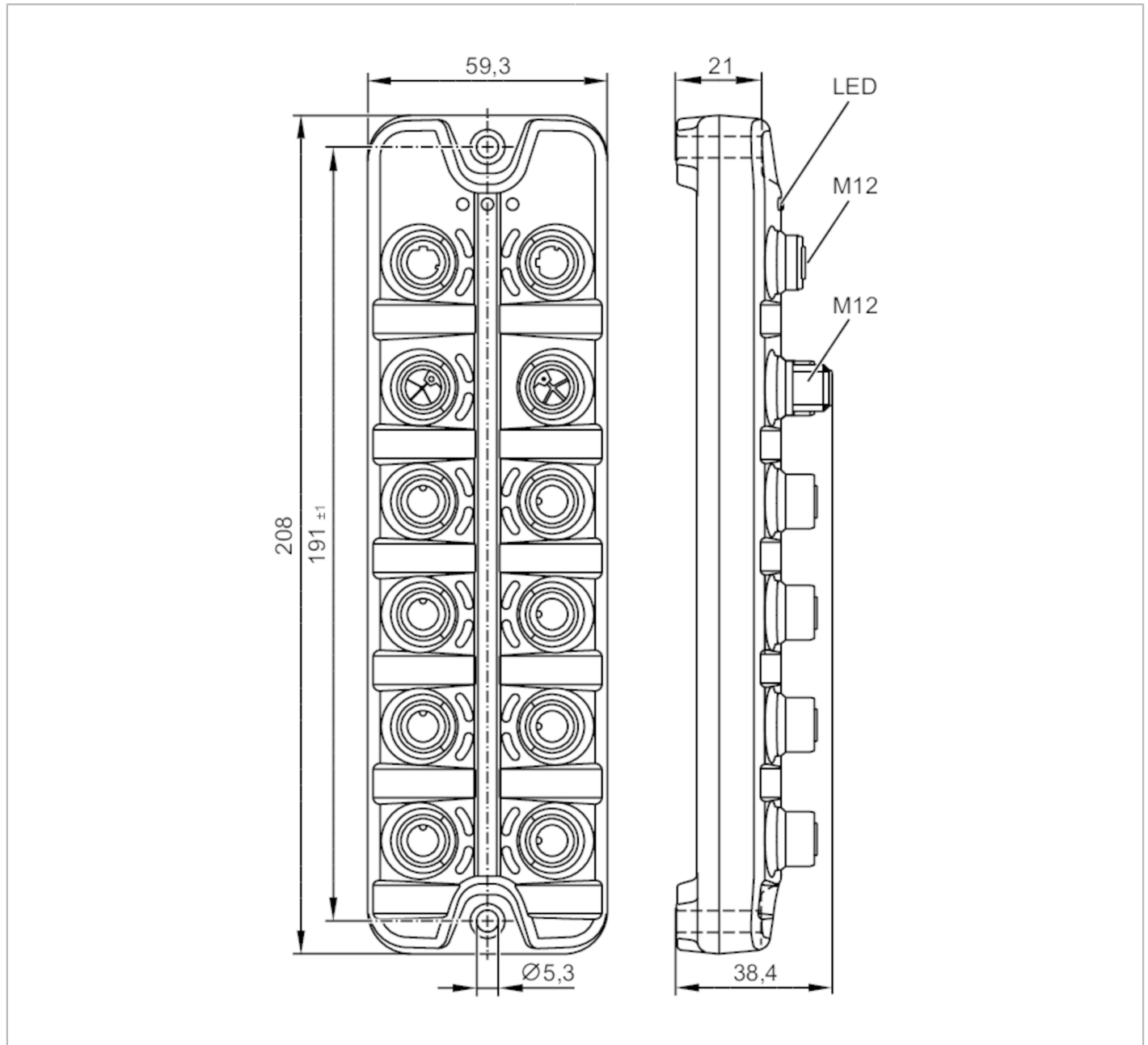


AL4322



Ethernet module with EtherNet/IP interface

ETH Module PFL EIP 8DO 8DI IP67



Application		
Application		I/O modules for field applications
Daisy-chain function		power supply; fieldbus interface
Electrical data		
Operating voltage	[V]	20...30 DC; (US ; to PELV)
Current consumption	[mA]	300...3900
Protection class		III
Additional voltage supply	[V]	20...30 DC; (UA)
Actuator supply UA		
Max. current load total	[A]	8



Ethernet module with EtherNet/IP interface

ETH Module PFL EIP 8DO 8DI IP67

Current rating per port	[A]	3.6
Sensor supply US		
Max. current load total	[A]	3.6
Current rating per port	[A]	3.6
Inputs / outputs		
Number of inputs and outputs	Number of digital inputs: 8; Number of digital outputs: 8	
Inputs		
Number of digital inputs	8; (type 2 according to IEC 61131-2)	
Switching level high	[V]	11...30
Switching level low	[V]	0...5
Digital inputs protected against short circuits	yes	
Outputs		
Number of digital outputs	8	
Short-circuit proof	yes	
Actuator supply UA		
Max. current load per output	[mA]	3600
Software / programming		
Parameter setting options	counter function	
Functions and parameters	function	CTU (Up Counter), CTD (Down Counter), CTUD (Up-Down Counter), CTDIR (Direction Counter)
	switching function (SSC)	single point, two point, window, latch
	number	4 (1 counter for each input port)
	count frequency	4500 Hz
	main counter	32 Bit (0...4.294.967.295)
	batch counter	16 Bit (0...65.535)
Interfaces		
Communication interface	Ethernet	
Ethernet - EtherNet/IP		
Transmission standard	10Base-T; 100Base-TX	
Transmission rate	10 MBit/s; 100 MBit/s	
Protocol	EtherNet/IP	
Factory settings	IP address: 192.168.1.250	
	subnet mask: 255.255.255.0	
	gateway IP address: 0.0.0.0	
	MAC address: see type label	
Note on interfaces	DHCP, BOOTP, static	
	DLR (Device Level Ring)	
	Supported network topologies: line	
	ring	
Operating conditions		
Ambient temperature	[°C]	-25...60
Storage temperature	[°C]	-25...85
Max. relative air humidity	[%]	90

AL4322



Ethernet module with EtherNet/IP interface

ETH Module PFL EIP 8DO 8DI IP67

Protection	IP 65; IP 66; IP 67	
Protection rating (NEMA 250)	6P	
Pollution degree	2	
Chemical media	ISO 16750-5	AA, BA, BD, HLP, CC, DB, DC, DD, CA
	NEMA 250 5.13.1	AA

Tests / approvals

EMC	EN 61000-6-2	
	EN 61000-6-4	
Shock resistance	DIN EN 60068-2-27	
Vibration resistance	DIN EN 60068-2-64 2009-04	
	DIN EN 60068-2-6 2008-10	

Mechanical data

Weight	[g]	422.4
Housing		rectangular
Type of mounting		backplane mounting
Dimensions	[mm]	208 x 59.3 x 38.4
Materials		housing: PA orange; socket: brass nickel-plated
Sealing material		FKM

Remarks

Remarks	For further information please see the operating instructions. Using the device within a system with requirements for functional safety is possible by deactivating the actuator voltage UA without interaction. For further information on functional safety, please refer to the operating instructions supplement under "Downloads".
Pack quantity	1 pcs.

Electrical connection - Ethernet

Connector: M12; coding: D; Sealing: FKM



IN / OUT XF1, XF2

1	TX +
2	RX +
3	TX -
4	RX -
5	not used



Ethernet module with EtherNet/IP interface

ETH Module PFL EIP 8DO 8DI IP67

Electrical connection - inputs / outputs

Connector: M12; coding: A; Sealing: FKM



Digital Output X1...X4

1	not used
2	digital output 2 (UA) L+
3	GND (UA)
4	digital output 1 (UA) L+
5	functional earth

Digital Input X5...X8

1	Sensor supply (US) L+
2	digital input 2
3	Sensor supply (US) L-
4	digital input 1
5	functional earth

Electrical connection - power supply IN

Connector: M12; coding: L



XD1

1	+ 24 V DC (US) brown
2	GND (UA) white
3	GND (US) blue
4	+ 24 V DC (UA) black
5	FE grey

Electrical connection - power supply OUT

Connector: M12; coding: L; Sealing: FKM



AL4322



Ethernet module with EtherNet/IP interface

ETH Module PFL EIP 8DO 8DI IP67

XD2

1	+ 24 V DC (US) brown
2	GND (UA) white
3	GND (US) blue
4	+ 24 V DC (UA) black
5	FE grey