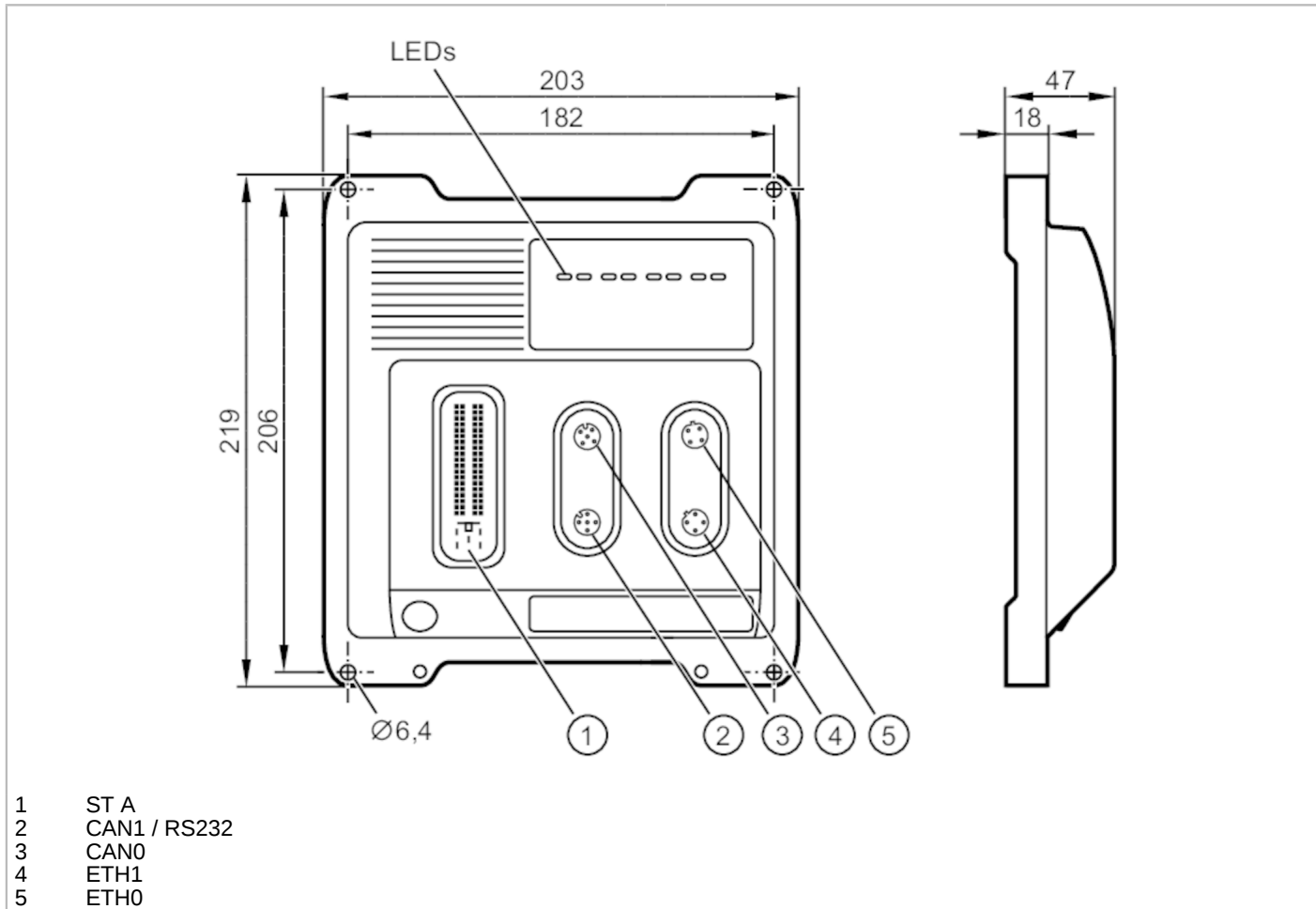


# CR710S



## Programmable controller for mobile machines

ecomatController/37



Electrical data	
Operating voltage [V]	8...32 DC
Current consumption [mA]	< 400
Reverse polarity protection	yes
Inputs / outputs	
Total number of inputs and outputs	37
Number of inputs and outputs	Number of digital inputs: 20; Number of analogue inputs: 8; Number of frequency inputs: 8; Number of resistor inputs: 4; Number of digital outputs: 16; Number of analogue outputs: 1; Number of outputs with H-bridge: 2
Inputs	
Number of frequency inputs	8
Number of resistor inputs	4
Number of digital inputs	20
Number of analogue inputs	8
Analogue input (current) [mA]	0...20
Analogue input (voltage) [V]	0...32
Outputs	
Number of digital outputs	16

# CR710S



## Programmable controller for mobile machines

ecomatController/37

Number of analogue outputs	1
Analogue voltage output [V]	0...10
Short-circuit protection	yes
Number of PWM outputs	16
Number of PWM-I outputs	10
Number of outputs with H-bridge	2
<b>Software / programming</b>	
Parameter setting options	input/output functions
PLC function to IEC 61131-3	yes
<b>Interfaces</b>	
Number of CAN interfaces	4
Number of Ethernet interfaces	1
Number of R232 interfaces	1
<b>Operating conditions</b>	
Storage temperature [°C]	-40...85
Protection	IP 65; IP 67; (in conjunction with a corresponding connector)
<b>Safety classification</b>	
Complies with the requirements	ISO 13849-1: 2015 PL d IEC 62061 SIL 2
<b>Mechanical data</b>	
Weight [g]	1546.3
Housing	rectangular
Type of mounting	screw mounting; (4 x M6)
Dimensions [mm]	219 x 203 x 47
<b>Accessories</b>	
Items supplied	Protective cap: M12 self-tapping screw: 1 x M4, for shield connection
<b>Remarks</b>	
Pack quantity	1 pcs.