

# EIL580-SC10.5RN.01024.A

Solid shaft with clamping flange, 1024 pulses per revolution

Article number: 11104415

## Overview

- Size ø58 mm
- Precise optical sensing
- Output signal level HTL
- Clamping flange
- Cable 1 m, radial
- 1024 pulses per revolution
- High protection IP 65
- High resistance to shock and vibrations



## Technical data

### Technical data - electrical ratings

Voltage supply	8...30 VDC
Reverse polarity protection	Yes
Short-circuit proof	Yes (HTL)
Consumption w/o load	≤70 mA
Pulses per revolution	1024
Phase shift	90 ° ±10°
Duty cycle	40...60 %
Reference signal	Zero pulse, width 90° ±10 %
Sensing method	Optical
Output frequency	≤160 kHz (HTL)
Output signals	A+, B+, R+, A-, B-, R-
Output stages	HTL/push-pull
Interference immunity	EN 61000-6-2
Emitted interference	EN 61000-6-3
Approval	UL 508 / CSA 22.2

### Technical data - mechanical design

Size (flange)	ø58 mm
---------------	--------

### Technical data - mechanical design

Shaft type	ø10 x 20 mm, solid shaft with flat
Admitted shaft load	≤40 N axial ≤80 N radial
Flange	Clamping flange
Protection EN 60529	IP 65
Operating speed	≤12000 rpm (+20 °C, IP 65)
Starting torque	≤0.015 Nm (+20 °C, IP 65)
Material	Housing: aluminium die-cast Flange: aluminium Solid shaft: stainless steel
Operating temperature	-40...+85 °C
Relative humidity	90 % non-condensing
Resistance	EN 60068-2-6 Vibration 30 g, 10-2000 Hz EN 60068-2-27 Shock 300 g, 6 ms
Connection	Cable
Weight approx.	300 g

**Terminal assignment**

**Cable**

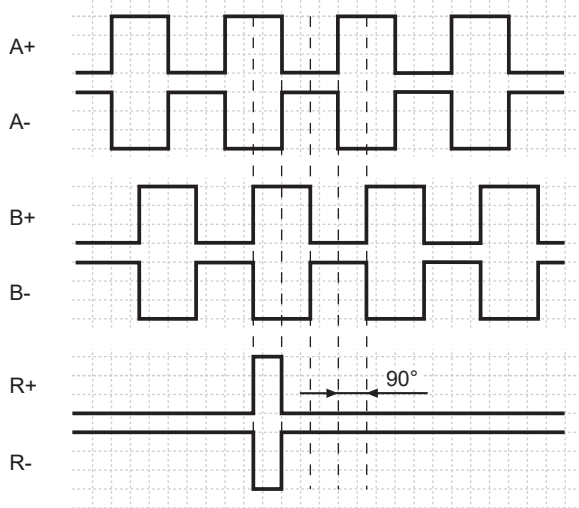
Core color	Assignment
green	A+
yellow	A-
grey	B+
pink	B-
blue	R+
red	R-
brown	UB
white	GND

Screen: Connected to housing

Cable data: PVC, [4x2x0.14 mm<sup>2</sup>], bending radius >32.5 mm, outer diameter approx. 6.4 mm

**Output signals**

Clockwise rotating direction when looking at flange.



**Trigger level**

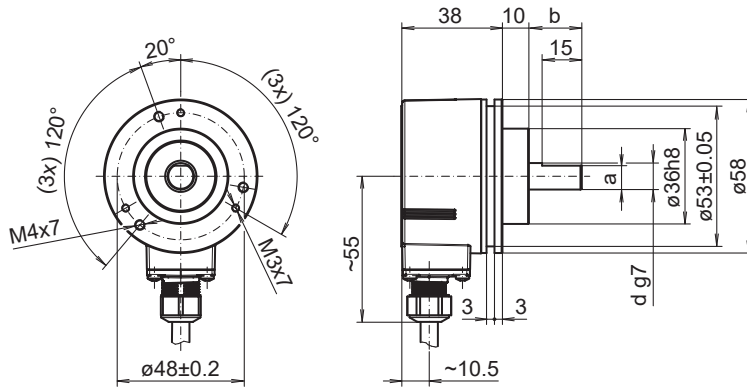
Outputs	HTL/Push-pull
Output level High	$\geq UB - 3 V$
Output level Low	$\leq 1.5 V$
Load	$\leq 20 mA$

# EIL580-SC10.5RN.01024.A

Solid shaft with clamping flange, 1024 pulses per revolution

Article number: 11104415

## Dimensions



d g7	a	b
$\phi 9.525$	8.64	20.32
$\phi 10$	9.	20

Clamping flange, cable, radial

## EIL580-SC10.5RN.01024.A

Solid shaft with clamping flange, 1024 pulses per revolution

Article number: 11104415

### Accessories

#### Mounting accessories

11101893	Spring encoder arm
10125051	Mounting adaptor