

# HOG10 D 1024 I LR 16H7 KLK-AX

Blind hollow shaft, 1024 pulses per revolution

Article number: 11070361

## Overview

- HTL output driver for cable length up to 350 m
- Very high resistance to shock and vibrations
- Double-side bearing with hybrid bearing for extended service life
- Sealing system for dusty environment
- Axial terminal cover



## Technical data

### Technical data - electrical ratings

Voltage supply	9...30 VDC
Consumption w/o load	≤100 mA
Pulses per revolution	1024
Phase shift	90 ° ±20°
Duty cycle	40...60 %
Reference signal	No
Sensing method	Optical
Output frequency	≤120 kHz
Output signals	K1, K2 + inverted
Output stages	HTL-P (power linedriver)
Shaft insulation	Suitable up to 2.8 kV
Transmission length	≤350 m at 100 kHz (HTL-P)
Interference immunity	EN 61000-6-2
Emitted interference	EN 61000-6-3
Approval	CE UL approval / E217823

### Technical data - mechanical design

Size (flange)	ø105 mm
---------------	---------

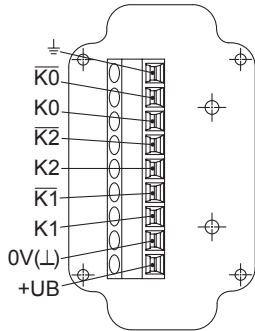
### Technical data - mechanical design

Shaft type	ø16 mm (blind hollow shaft)
Admitted shaft load	≤450 N axial ≤600 N radial
Protection EN 60529	IP 66
Operating speed	≤6000 rpm (mechanical)
Operating torque typ.	6 Ncm
Rotor moment of inertia	340 gcm <sup>2</sup>
Material	Housing: aluminium die-cast Shaft: stainless steel
Operating temperature	-40...+100 °C
Resistance	IEC 60068-2-6 Vibration 20 g, 10-2000 Hz IEC 60068-2-27 Shock 300 g, 6 ms
Corrosion protection	IEC 60068-2-52 Salt mist for ambient conditions CX (C5-M) according to ISO 12944-2
Connection	Terminal cover
Weight approx.	1.6 kg

**Terminal assignment**

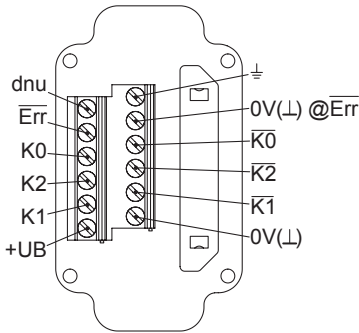
**View A (see dimension)**

Connecting terminal terminal box, radial



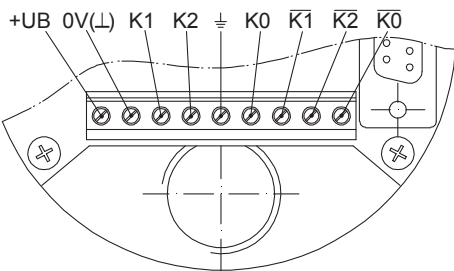
**Option EMS: View A (see dimension)**

Connecting terminal terminal box, radial



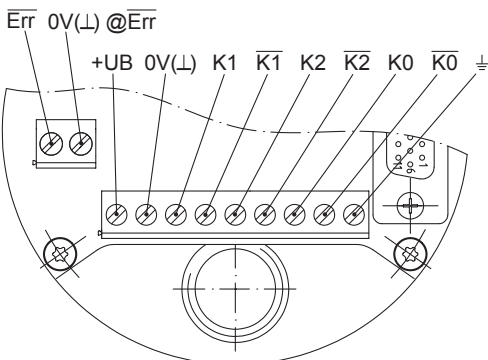
**View B (see dimension)**

Connecting terminal terminal cover, axial



**Option EMS: View B (see dimension)**

Connecting terminal terminal cover, axial



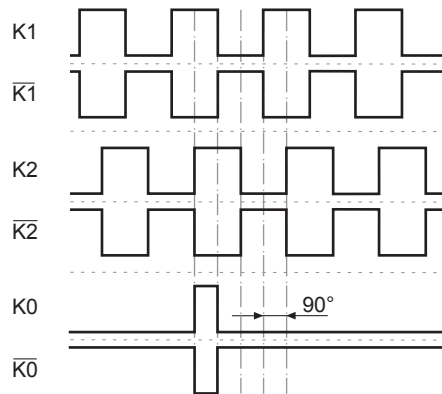
**Terminal significance**

+UB	Voltage supply
0V (⊥)	Ground
⊥	Earth ground (housing)
K1	Output signal channel 1
K1̄	Output signal channel 1 inverted
K2	Output signal channel 2 (offset by 90° to channel 1)
K2̄	Output signal channel 2 inverted
K0	Zero pulse (reference signal)
K0̄	Zero pulse inverted
Err	Error output (option EMS)
dnu	Do not use

**Output signals**

**HTL/TTL**

At positive rotating direction (see dimension)

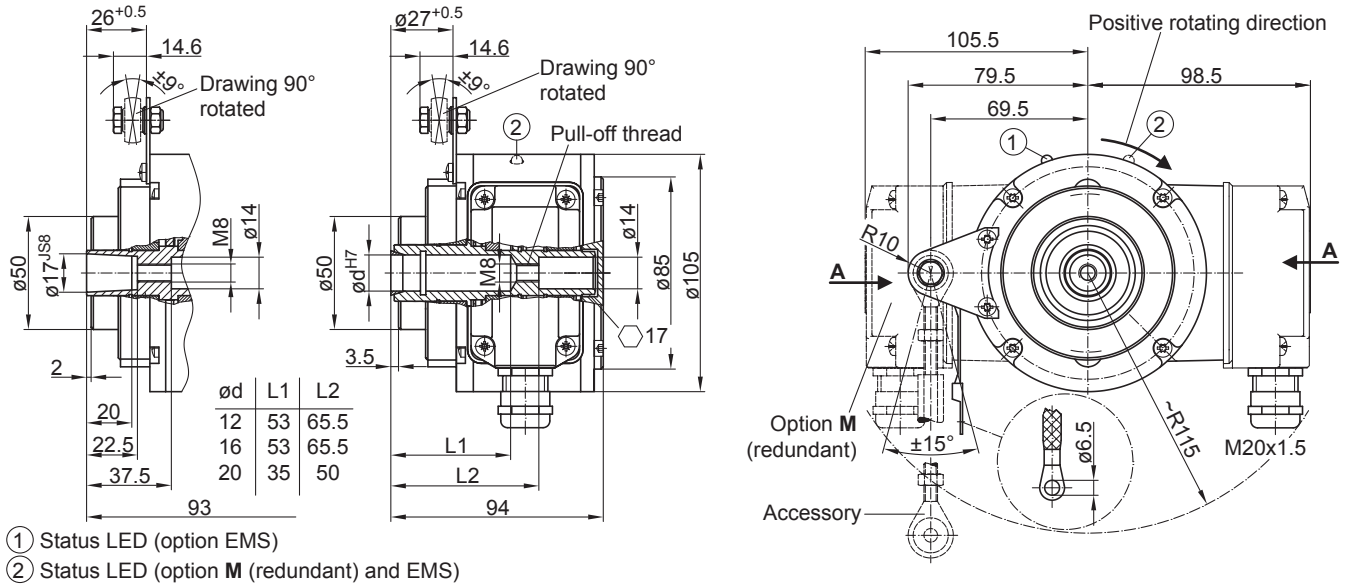


# HOG10 D 1024 I LR 16H7 KLK-AX

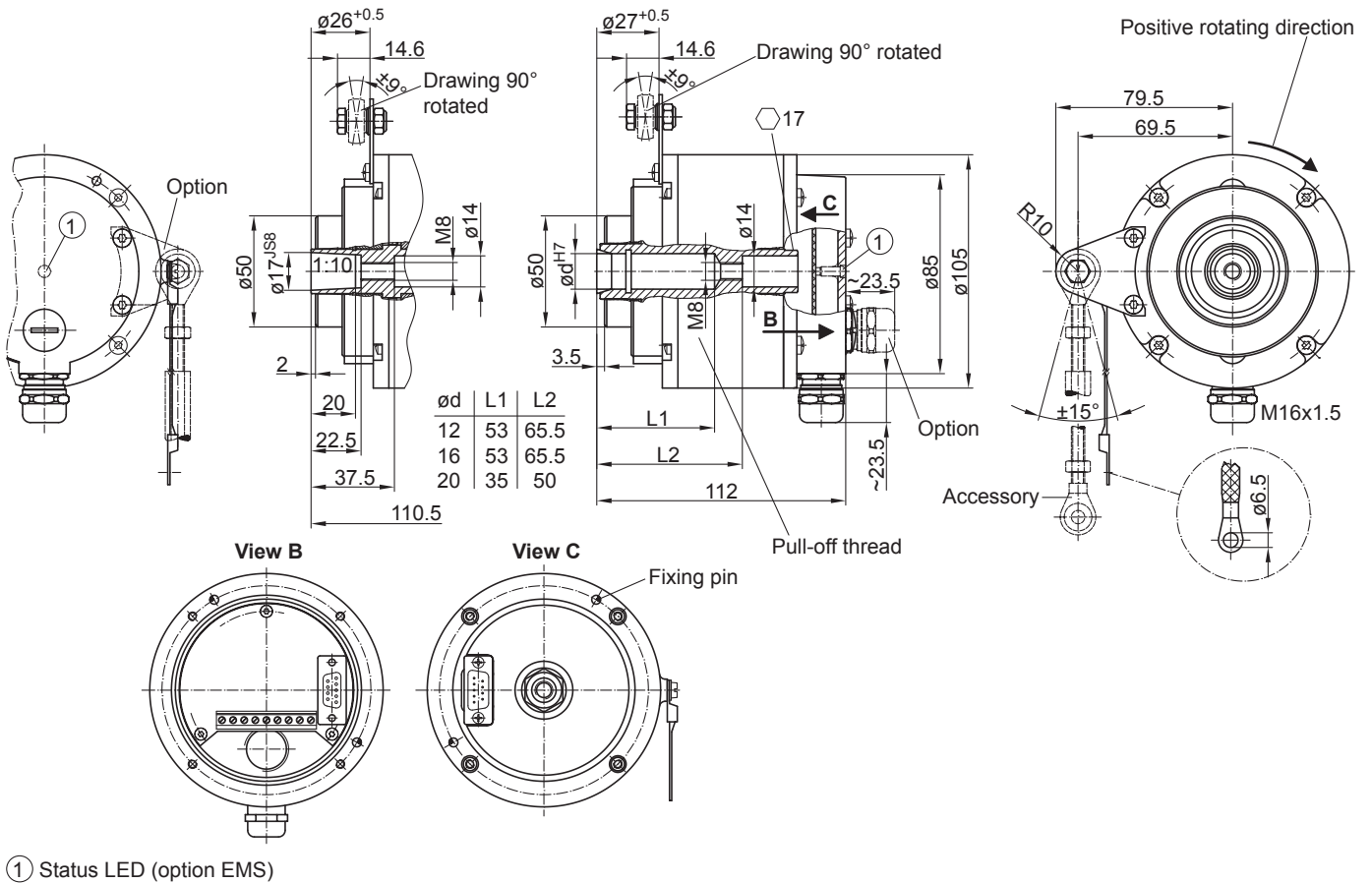
Blind hollow shaft, 1024 pulses per revolution

Article number: 11070361

## Dimensions



Version with radial terminal box



Version with axial terminal cover