

# PSD-S OE LED YE - Optical element

2700122

<https://www.phoenixcontact.com/gb/products/2700122>

Please be informed that the data shown in this PDF document is generated from our online catalog. Please find the complete data in the user documentation. Our general terms of use for downloads are valid.

LED permanent light element, 24 V AC/DC, yellow



## Product description

This optical signal element is designed to be part of a modular signal tower. According to your requirements, a signal tower can be combined as desired, from a maximum of five signal elements. Set up to a maximum of five optical signal elements or up to four optical and one audible signal element. Only use an audible signal element as the top element. A bayonet locking system establishes the mechanical and electrical connection between the elements. Connection elements with spring-cage or screw connection can be used for electrical connection of the signal tower. Various accessories are available to assemble the signal tower. Please note that PSD-S signal towers (70 mm diameter) are not mechanically compatible with PSD-S 50 signal towers (50 mm diameter).

## Your advantages

- Tool-free element changeover
- Can be freely combined
- High light and color intensity
- Minimum LED service life of 50,000 h
- Low power consumption
- Degree of protection IP65

## Commercial data

Item number	2700122
Packing unit	1 pc
Minimum order quantity	1 pc
Sales key	DRL112
Product key	DRL112
GTIN	4046356491167
Weight per piece (including packing)	72.6 g
Weight per piece (excluding packing)	72.6 g
Customs tariff number	85318070
Country of origin	DE

# PSD-S OE LED YE - Optical element

2700122

<https://www.phoenixcontact.com/gb/products/2700122>

## Technical data

### Notes

#### Note on application

Note on application	Only for industrial use
---------------------	-------------------------

### Product properties

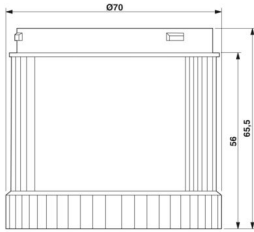
Product family	PSD-S
Area of application	Signal tower

### Electrical properties

#### General

Input voltage	24 V AC/DC
Maximum inrush current	max. 500 mA
Current consumption	typ. 30 mA
Source of light type	LED
Operating time	100 %
Service life electrical	max. 100,000 h
Optical signal type	Permanent light

### Dimensions

Dimensional drawing	
Height	65.5 mm
Diameter	70 mm

### Material specifications

Calotte color	yellow
Material	Polycarbonate PC

### Environmental and real-life conditions

#### Ambient conditions

Degree of protection	IP65 (when installed or with end cover)
Ambient temperature (operation)	-30 °C ... 50 °C

### EMC data

# PSD-S OE LED YE - Optical element



2700122

<https://www.phoenixcontact.com/gb/products/2700122>

Electromagnetic compatibility	Conformance with EMC Directive 2014/30/EU
-------------------------------	---

## Mounting

Mounting type	Plug-in mounting (Seal pre-installed for each element)
Mounting position	any

## Drawings

Dimensional drawing



# PSD-S OE LED YE - Optical element



2700122

<https://www.phoenixcontact.com/gb/products/2700122>

## Approvals

To download certificates, visit the product detail page: <https://www.phoenixcontact.com/gb/products/2700122>



**cULus Listed**

Approval ID: E123528

# PSD-S OE LED YE - Optical element



2700122

<https://www.phoenixcontact.com/gb/products/2700122>

## Classifications

### ECLASS

ECLASS-13.0	27371220
ECLASS-15.0	27371220

### ETIM

ETIM 10.0	EC000232
-----------	----------

### UNSPSC

UNSPSC 21.0	46171600
-------------	----------

2700122

<https://www.phoenixcontact.com/gb/products/2700122>

## Environmental product compliance

### EU RoHS

Fulfills EU RoHS substance requirements	Yes
Exemption	7(a), 7(c)-I

### China RoHS

Environment friendly use period (EFUP)	EFUP-50
	An article-related China RoHS declaration table can be found in the download area for the respective article under "Manufacturer declaration". For all articles with EFUP-E, no China RoHS declaration table issued and required.

### EU REACH SVHC

REACH candidate substance (CAS No.)	Lead(CAS: 7439-92-1)
SCIP	73ba0d9f-2a48-4747-9568-ca8146f67c99

### EF3.1 Climate Change

CO2e kg	2.567 kg CO2e
---------	---------------

Phoenix Contact 2026 © - all rights reserved  
<https://www.phoenixcontact.com>

PHOENIX CONTACT Ltd  
Halesfield 13, Telford  
Shropshire, TF7 4PG  
01952 681700  
[info@phoenixcontact.co.uk](mailto:info@phoenixcontact.co.uk)