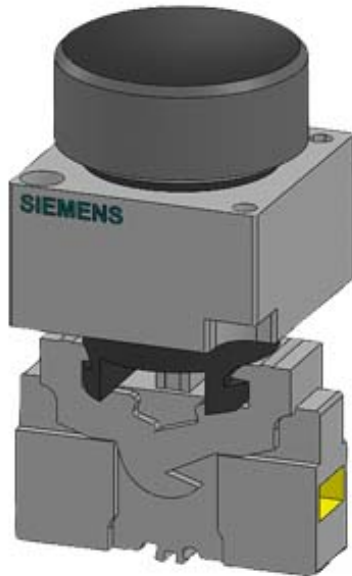


ILLUMINATED PUSHBUTTON, 22MM, ROUND, PLASTIC, CLEAR, FLAT BUTTON, WITH HOLDER, 1 NO, LAMP SOCKET, WITH INTEGRATED LED 24 V AC/DC, SCREW TERMINAL, Z=50X PACK



Design of the product	Complete unit round
<b>Enclosure:</b>	
Shape of the enclosure front	round
Material of the enclosure	plastic
Number of command points	1
<b>Actuator:</b>	
Design of the operating mechanism	Illuminated pushbutton
Manner of function of the actuating element	Momentary contact type
Product extension optional Light source	Yes
Color	
• of the actuating element	Clear
Material of the actuating element	plastic
Shape of the actuating element	Flat pushbutton
Type of unlocking device	without
Number of switching positions	2
<b>Front ring:</b>	
Product component front ring	Yes
Design of the front ring	Standard

<b>Material of the front ring</b>	plastic
<b>Color of the front ring</b>	black
<b>Holder:</b>	
<b>Material of the holder</b>	Plastic
<b>Contact block/ lampholder:</b>	
<b>Mounting type</b>	integrated LED
<b>Number of lampholders</b>	1
<b>Number of switching elements</b>	1
<b>General technical data:</b>	
<b>Product function</b>	
• positive opening	No
• EMERGENCY STOP function	No
<b>Product component</b>	
• Light source	Yes
<b>Protection class IP</b>	IP66
<b>Vibration resistance</b>	
• acc. to IEC 60068-2-6	20 ... 200 Hz: 5g
<b>Operating frequency maximum</b>	1 000 1/h
<b>Mechanical service life (switching cycles)</b>	
• typical	3 000 000
<b>Equipment marking</b>	
• acc. to DIN 40719 extended according to IEC 204-2 acc. to IEC 750	S
• acc. to DIN EN 61346-2	S
• acc. to DIN EN 81346-2	S
<b>Supply voltage:</b>	
<b>Type of voltage of the supply voltage</b>	
• of the light source	AC/DC
<b>Supply voltage 1 of the light source at AC</b>	
• at 50 Hz rated value	24 V
• at 60 Hz rated value	24 V
<b>Supply voltage 1 of the light source at DC</b>	
• rated value	24 V
<b>Relative negative tolerance of the supply voltage</b>	-15 %
<b>Relative positive tolerance of the supply voltage</b>	10 %
<b>Auxiliary circuit:</b>	
<b>Number of NC contacts</b>	
• for auxiliary contacts	0
<b>Number of NO contacts</b>	
• for auxiliary contacts	1
<b>Number of CO contacts</b>	

• for auxiliary contacts	0
<b>Consumed current for rated value of supply voltage maximum</b>	18 mA
<b>Operating current at AC-12</b>	
• at 24 V rated value	10 A
• at 48 V rated value	10 A
• at 110 V rated value	10 A
• at 230 V rated value	10 A
• at 400 V rated value	10 A
<b>Operating current at AC-15</b>	
• at 24 V rated value	6 A
• at 48 V rated value	6 A
• at 110 V rated value	6 A
• at 230 V rated value	6 A
• at 400 V rated value	3 A
<b>Operating current at DC-12</b>	
• at 24 V rated value	10 A
• at 48 V rated value	5 A
• at 110 V rated value	2.5 A
• at 230 V rated value	1 A
<b>Operating current at DC-13</b>	
• at 24 V rated value	3 A
• at 48 V rated value	1.5 A
• at 110 V rated value	0.7 A
• at 230 V rated value	0.3 A

#### Connections/ Terminals:

<b>Type of electrical connection</b>	screw-type terminals
<b>Tightening torque of the screws in the bracket</b>	1 ... 1.2 N·m

#### Ambient conditions:

<b>Ambient temperature</b>	
• during operation	-25 ... +70 °C
• during storage	-40 ... +80 °C
<b>Environmental category during operation acc. to IEC 60721</b>	3K6






#### Installation/ mounting/ dimensions:

<b>Mounting type</b>	front mounting
<b>Shape of the installation opening</b>	round
<b>Mounting diameter</b>	22 mm
<b>Mounting height</b>	8 mm
<b>Installation width</b>	28.5 mm
<b>Installation depth</b>	49 mm

## Accessories:

Product component holder for 3 switching elements Yes

## Certificates/approvals

General Product Approval	Declaration of Conformity	Test Certificates	Shipping Approval		
 CSA	 UL		 EG-Konf.	<a href="#">spezielle Prüfbescheinigung</a> <a href="#">n</a>	 ABS

Shipping Approval	other				
 DNV	 LRS	 PRS	 RINA	<a href="#">Bestätigungen</a>	<a href="#">Umweltbestätigung</a>

other  
[sonstig](#)

## Further information

### Information- and Downloadcenter (Catalogs, Brochures,...)

<http://www.siemens.com/industrial-controls/catalogs>

### Industry Mall (Online ordering system)

<https://mall.industry.siemens.com/mall/en/en/Catalog/product?mlfb=3SB3245-0AA71-Z X90>

### Cax online generator

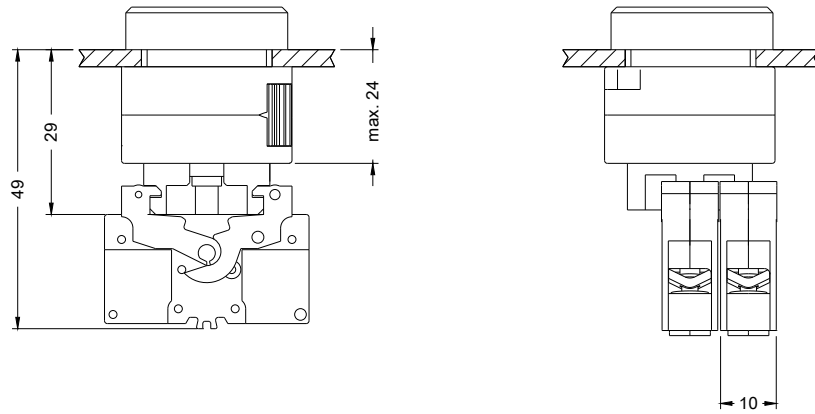
<http://support.automation.siemens.com/WW/CAXorder/default.aspx?lang=en&mlfb=3SB3245-0AA71-Z X90>

### Service&Support (Manuals, Certificates, Characteristics, FAQs,...)

<https://support.industry.siemens.com/cs/ww/en/ps/3SB3245-0AA71-Z X90>

### Image database (product images, 2D dimension drawings, 3D models, device circuit diagrams, EPLAN macros, ...)

[http://www.automation.siemens.com/bilddb/cax\\_de.aspx?mlfb=3SB3245-0AA71-Z X90&lang=en](http://www.automation.siemens.com/bilddb/cax_de.aspx?mlfb=3SB3245-0AA71-Z X90&lang=en)



last modified:

08/18/2016