

Product datasheet

Specifications



IP20 I/O Distributed Optimized TM3 Bus Coupler Module CANopen Interface

TM3BCCO

EAN Code: 3606489811044

Main

Range of product	Modicon TM3
Product or component type	I/O distributed module
Product compatibility	Logic controller Motion controller

Complementary

Communication port protocol	CANopen
Transmission rate	20 kbit/s...1 Mbit/s
Topology	Daisy chain
Communication service	CANopen slave device profile
Height	96.5 mm
Width	27 mm
Depth	70 mm
Net weight	0.10 kg

Environment

Pollution degree	2
------------------	---

Packing Units

Unit Type of Package 1	PCE
Number of Units in Package 1	1
Package 1 Height	7.500 cm
Package 1 Width	10.500 cm
Package 1 Length	12.500 cm
Package 1 Weight	172.000 g
Unit Type of Package 2	S03
Number of Units in Package 2	18
Package 2 Height	30.000 cm
Package 2 Width	30.000 cm
Package 2 Length	40.000 cm
Package 2 Weight	3.748 kg

Logistical informations

Country of origin ID

Contractual warranty

Warranty (in months) 18



Environmental Data

Schneider Electric aims to achieve Net Zero status by 2050 through supply chain partnerships, lower impact materials, and circularity via our ongoing “Use Better, Use Longer, Use Again” campaign to extend product lifetimes and recyclability.

[Environmental Data explained >](#)

[How we assess product sustainability >](#)



Environmental footprint

Total lifecycle Carbon footprint	158 kg CO2 eq.
Environmental Disclosure	Product Environmental Profile
Carbon footprint of the manufacturing phase [A1 to A3]	3 kg CO2 eq.
Carbon footprint of the distribution phase [A4]	0 kg CO2 eq.
Carbon footprint of the installation phase [A5]	0 kg CO2 eq.
Carbon footprint of the use phase [B2, B3, B4, B6]	155 kg CO2 eq.
Carbon footprint of the end-of-life phase [C1 to C4]	0.1 kg CO2 eq.

Use Better



Materials and Substances

Packaging made with recycled cardboard	Yes
Packaging without single use plastic	Yes
EU RoHS Directive	Pro-active compliance (Product out of EU RoHS legal scope)
SCIP Number	3b9533ee-f829-495f-9b87-8bb0822090f1
REACH Regulation	REACH Declaration

Use Longer



Lifetime extension

Repair	No
--------	----

Use Again



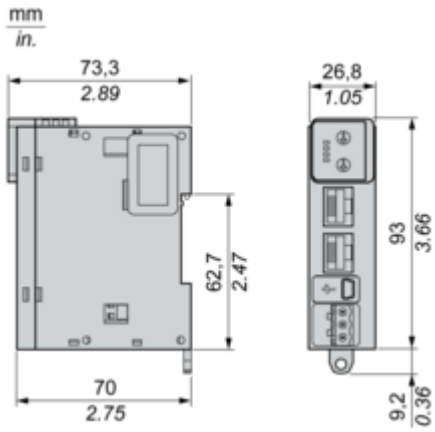
Repack and remanufacture

End of life manual availability	End of Life Information
Take-back	No
WEEE Label	 The product must be disposed on European Union markets following specific waste collection and never end up in rubbish bins

Dimensions Drawings

Dimensions

Side and Front Views



Mounting and Clearance

Spacing Requirements

