

SELECTOR SWITCH, 22MM, ROUND, METAL, RED, SHORT KNOB, 2 SWITCH POSITIONS O-I, LATCHING, ACTUATING ANGLE 50 DEGREES, 11/1 O CLOCK, WITH HOLDER, Z=50X PACK



Figure similar

<b>Design of the product</b>	Single device round
<b>Enclosure:</b>	
Number of command points	1
<b>Actuator:</b>	
Design of the operating mechanism	selector switch
Manner of function of the actuating element	Latching
Product extension optional Light source	No
Color	
• of the actuating element	Red
Material of the actuating element	plastic
Outer diameter of the actuating element	28.5 mm
Type of unlocking device	rotate-to-unlatch mechanism
Number of switching positions	2
Actuating angle	
• clockwise	50°
<b>Front ring:</b>	
Product component front ring	Yes

Design of the front ring	Standard
Material of the front ring	metal
Color of the front ring	silver

#### Holder:

Material of the holder	Metal
------------------------	-------

#### General technical data:

<b>Product function</b>	
• EMERGENCY OFF function	No
• EMERGENCY STOP function	No
<b>Protection class IP</b>	IP67
<b>Vibration resistance</b>	
• acc. to IEC 60068-2-6	20 ... 200 Hz: 5g
<b>Operating frequency maximum</b>	1 000 1/h
<b>Mechanical service life (switching cycles)</b>	
• typical	300 000
<b>Equipment marking</b>	
• acc. to DIN 40719 extended according to IEC 204-2 acc. to IEC 750	S
• acc. to DIN EN 61346-2	S
• acc. to DIN EN 81346-2	S

#### Connections/ Terminals:

Tightening torque of the screws in the bracket	1.4 ... 1.6 N·m
--	-----------------





#### Ambient conditions:

<b>Ambient temperature</b>	
• during operation	-25 ... +70 °C
• during storage	-40 ... +80 °C
<b>Environmental category during operation acc. to IEC 60721</b>	3K6

#### Installation/ mounting/ dimensions:

<b>Mounting type</b>	front mounting
<b>Shape of the installation opening</b>	round
<b>Mounting diameter</b>	22 mm
<b>Mounting height</b>	24 mm
<b>Installation width</b>	28.5 mm
<b>Installation depth</b>	29 mm

#### Certificates/approvals

General Product Approval			Declaration of Conformity	Test Certificates	Shipping Approval
 CSA	 UL		 EG-Konf.	<a href="#">spezielle Prüfbescheinigungen</a> <u>n</u>	 ABS

Shipping Approval				other	
 DNV	 LRS	 PRS	 RINA	<a href="#">Bestätigungen</a>	<a href="#">sonstig</a>

other
<a href="#">Umweltbestätigung</a>

### Further information

**Information- and Downloadcenter (Catalogs, Brochures,...)**

<http://www.siemens.com/industrial-controls/catalogs>

**Industry Mall (Online ordering system)**

<https://mall.industry.siemens.com/mall/en/en/Catalog/product?mlfb=3SB3500-2KA21-Z X90>

**Cax online generator**

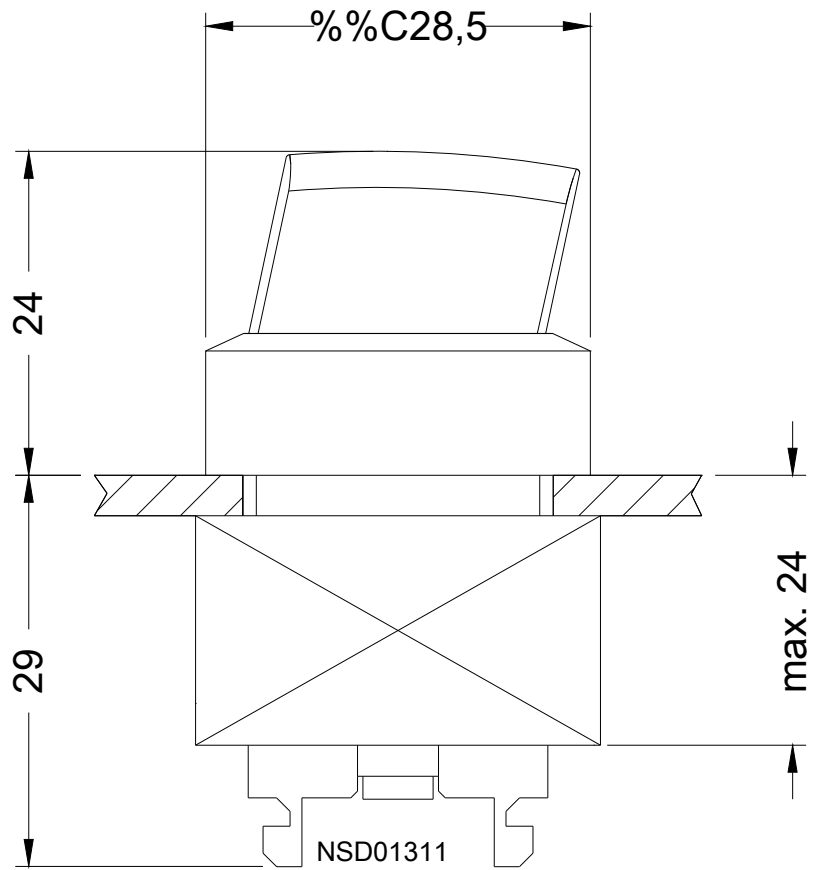
<http://support.automation.siemens.com/WW/CAXorder/default.aspx?lang=en&mlfb=3SB3500-2KA21-Z X90>

**Service&Support (Manuals, Certificates, Characteristics, FAQs,...)**

<https://support.industry.siemens.com/cs/ww/en/ps/3SB3500-2KA21-Z X90>

**Image database (product images, 2D dimension drawings, 3D models, device circuit diagrams, EPLAN macros, ...)**

[http://www.automation.siemens.com/bilddb/cax\\_de.aspx?mlfb=3SB3500-2KA21-Z X90&lang=en](http://www.automation.siemens.com/bilddb/cax_de.aspx?mlfb=3SB3500-2KA21-Z X90&lang=en)



last modified:

08/18/2016