

MVP12-P6 DIO8 DIO8 8xM12A IOLA12 PL5 B0

IO-Link Class A I/O module + ext. power port

Art.No.: 59738

Weight: 0,200 kg

Country of origin: DE

Model designation: MVP12-P6 DIO8 DIO8 8xM12A IOLA12 PL5 B0

IO-Link hub in 50 mm plastic housing

16 configurable digital inputs/outputs

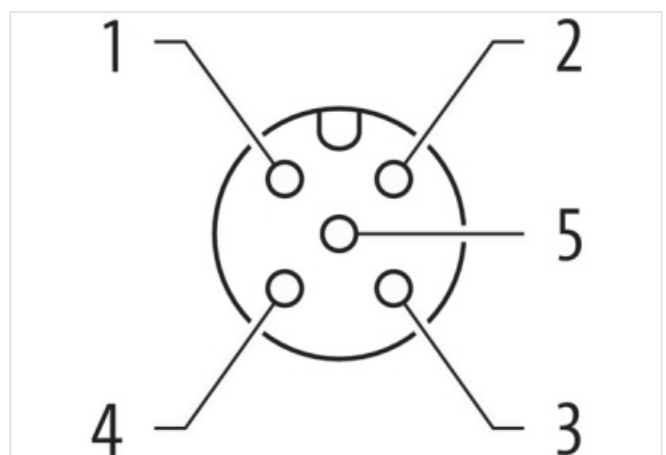
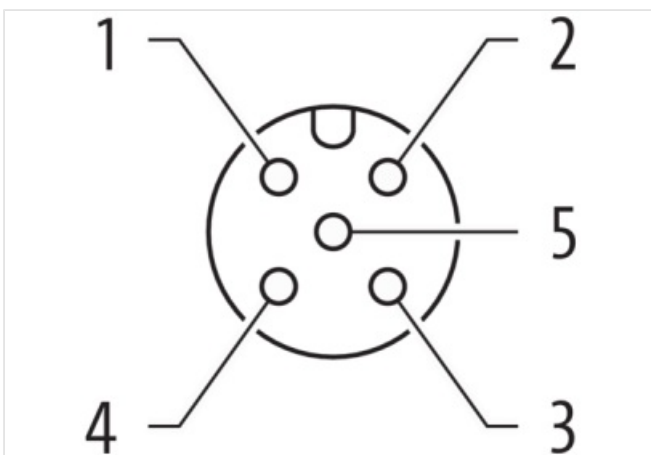
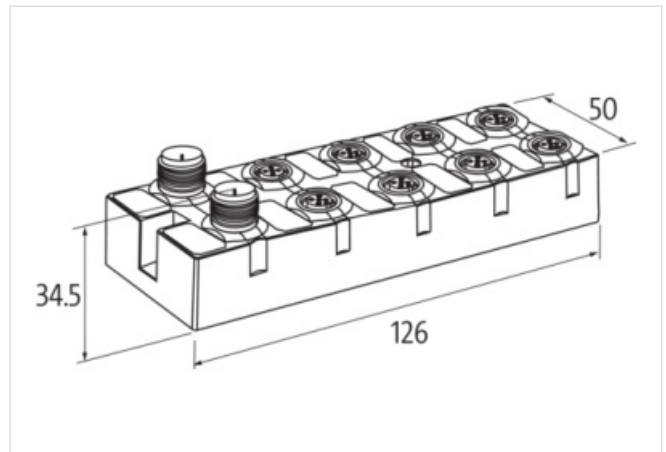
1 × M12 IO-Link Class A

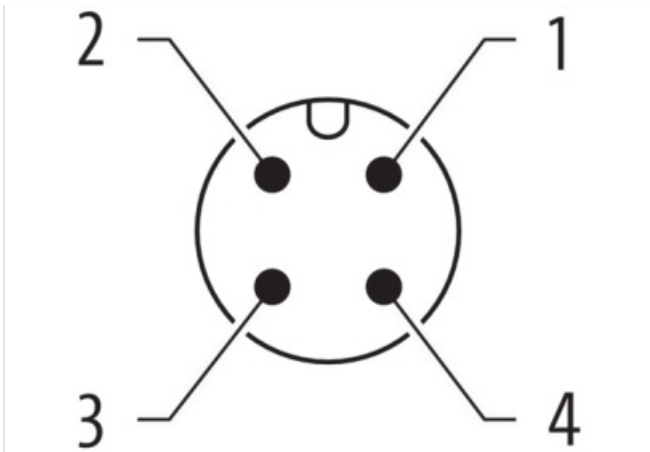
1 × M12L 5-pin power port with galvanic isolation

8 × M12 I/O

Preconfigured parameter range

Connection cables are in the online shop under "Connection Technology".

[Link to Product](#)**Illustration**



Product may differ from Image

**Header**

Material short text MVP12-P6 DIO8 DIO8 8xM12A IOLA12 PL5 B0

Commercial data

URL Webshop	https://shop.murrelektronik.com/59738
GTIN	4065909027844
ECLASS-7.1	27242604
ECLASS-8.1	27242604
ECLASS-9.1	27242604
ECLASS-10.0.1	27242604
ECLASS-11.0	27242604
ECLASS-13.0	27242604
ECLASS-14.0	27242604
customs tariff number	85389099
EAN	4065909027844
Packaging unit	1

Electrical data | Supply

Operating voltage DC	24 V
Operating voltage UL1 DC	24 V
Operating voltage UL1 DC min.	18 V
Operating voltage UL1 DC max.	30 V
Total current UL1	6 A
Operating voltage UL2 DC	24 V
Operating voltage UL2 DC min.	18 V
Operating voltage UL2 DC max.	30 V
Total current UL2	6 A
Current consumption max.	75 mA

Electrical data | Input

Sensor current per input max.	0,5 A
Input filter time	1 ms
Type input	Type 3, Type 1

Electrical data | Output

Output current per pin max.	12 × 2 A; 4 × 4 A
-----------------------------	-------------------

Industrial communication IO-Link	
IO-Link type	Device
Port Class	A
IO-Link revision ID	V1.1.2
IO-Link transmission rate	COM3 (230.4 kbit/s)
IO-Link process data length input	2 bytes
IO-Link process data length output	2 bytes
IO-Link cycle time min.	1 ms
IO-Link revision compatibility	V1.1.3
Diagnostics	
Actuator warning	Yes
Short circuit diagnosis	Yes
Overload diagnosis	Yes
Diagnostic via LED	per module and channel
Status indication LED	green
LED display	Ethernet connection/data traffic
IO-Link events	Undervoltage supply, No voltage
Device protection Electrical	
Installation height max. ASL	3.000 m
Degree of protection (EN IEC 60529)	IP68
Overload resistant	Yes
Short-circuit protected	Yes
Invers-polarity protection	Yes
Over voltage protection	Yes
Protective circuitry input	Suppressor diode
Galvanic separation US/UL1/UL2	Yes
Mechanical data Mounting data	
Height	126 mm
Width	50 mm
Depth	34,5 mm
Suitable for mounting type	2-hole screw mounting
Environmental characteristics Climatic	
Operating temperature min.	-25 °C
Operating temperature max.	70 °C
Ambient temperature (storage, transport)	-40 °C
Conformity	
Product standard	IEC/EN 61131-2
Connection type 4	
Connection type 1	X0-X3
Connection type 2	X4-X7
Connection type 3	XD1
Connection type 4	XZ1
Family construction form	M12
No. of poles	5
Coding	A
Gender	female
Color contact carrier	black
PIN 1	24 V DC (UL 2)
PIN 2	DIO (UL 2)
PIN 3	0 V (UL 2)
PIN 4	DIO (UL 2)
PIN 5	PE

Family construction form	M12
No. of poles	5
Coding	A
Gender	female
Color contact carrier	black
PIN 1	24 V DC (UL 1)
PIN 2	DIO (UL 1)
PIN 3	0 V
PIN 4	DIO (UL 1)
PIN 5	PE
Family construction form	M12
No. of poles	5
Coding	L
Gender	male
Color contact carrier	black
PIN 1	24 V DC (UL 1)
PIN 2	0 V (UL 2)
PIN 3	0 V (UL 1)
PIN 4	24 V DC (UL 2)
PIN 5	PE
Family construction form	M12
No. of poles	5
Coding	A
Gender	male
PIN 1	24 V DC (US) (L +)
PIN 2	n.c.
PIN 3	0 V (US) (L -)
PIN 4	C / Q / IO-Link
PIN 5	n.c.