

MVP12-P3 AI-MULT4 4xM12A IOLA12 E0

IO-Link Class A I/O module

Art.No.: 59840

Weight: 0,150 kg

Country of origin: DE

Model designation: MVP12-P3 AI-MULT4 4xM12A IOLA12 E0

IO-Link hub in 30 mm plastic housing

4 analog inputs (multi)

1 × M12 IO-Link Class A

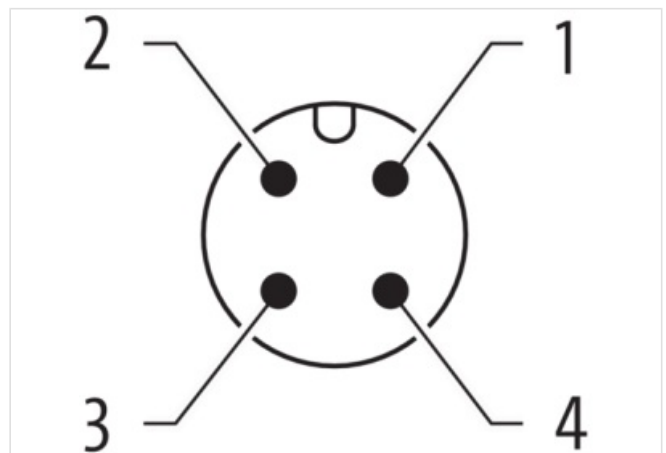
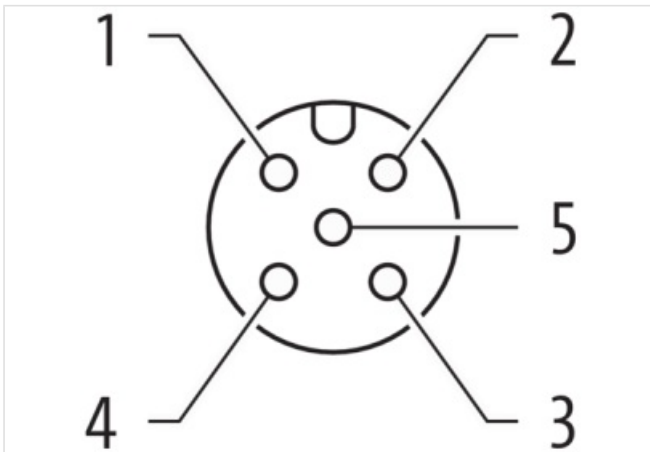
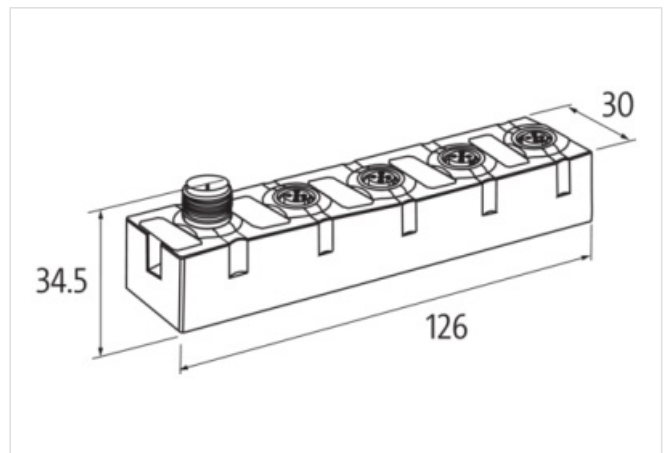
4 × M12 I/O

Extended parameter range

Connection cables are in the online shop under "Connection Technology".

[Link to Product](#)

Illustration



Product may differ from Image



Header

Material short text

MVP12-P3 AI-MULT4 4xM12A IOLA12 E0

Commercial data	
URL Webshop	https://shop.murrelektronik.com/59840
GTIN	4065909027950
ECLASS-7.1	27242604
ECLASS-8.1	27242604
ECLASS-9.1	27242604
ECLASS-10.0.1	27242604
ECLASS-11.0	27242604
ECLASS-13.0	27242604
ECLASS-14.0	27242604
customs tariff number	85389099
EAN	4065909027950
Packaging unit	1
Electrical data Supply	
Operating voltage DC	24 V
Operating voltage US DC	24 V
Operating voltage US DC min.	18 V
Operating voltage US DC max.	30 V
Current consumption max.	50 mA
Electrical data Input	
Sensor current per input max.	0,2 A
Conversion time with interference frequency filter	OFF: 12 ms, 50 Hz: 50 ms, 60 Hz: 120 ms
Industrial communication IO-Link	
IO-Link type	Device
Port Class	A
IO-Link revision ID	V1.1.2
IO-Link transmission rate	COM3 (230.4 kbit/s)
IO-Link process data length input	10 bytes
IO-Link process data length output	5 bytes
IO-Link cycle time min.	1,6 ms
IO-Link revision compatibility	V1.1.3
Diagnostics	
Short circuit diagnosis	Yes
Overload diagnosis	Yes
Diagnostic via LED	per module and channel
Status indication LED	green
LED display	Ethernet connection/data traffic
IO-Link events	Undervoltage supply, No voltage
Device protection Electrical	
Installation height max. ASL	3.000 m
Degree of protection (EN IEC 60529)	IP68
Overload resistant	Yes
Short-circuit protected	Yes
Invers-polarity protection	Yes
Over voltage protection	Yes
Feed back resistant	Yes
Mechanical data Mounting data	
Height	126 mm
Width	30 mm

The information in this Product-PDF has been compiled with the utmost care.

Liability for the correctness completeness and topicality of the information is restricted to gross negligence. Version: 2026-01-22

Murrelektronik Sp. z o.o. | al. Rożdżeńskiego 188H | 40-203 Katowice | Fon +48 32 730 00 20 | Fax +48 32 730 00 23 | shop@murrelektronik.pl | shop.murrelektronik.pl

Depth	34,5 mm
Suitable for mounting type	2-hole screw mounting
Environmental characteristics Climatic	
Operating temperature min.	-25 °C
Operating temperature max.	70 °C
Ambient temperature (storage, transport)	-40 °C
Conformity	
Product standard	IEC/EN 61131-2
Connection type 2	
Connection type 1	X0-X3
Connection type 2	XZ1
Family construction form	M12
No. of poles	5
Coding	A
Gender	female
Color contact carrier	black
PIN 1	24 V DC (US)
PIN 2	AI
PIN 3	0 V (US)
PIN 4	n.c.
PIN 5	n.c.
Family construction form	M12
No. of poles	5
Coding	A
Gender	male
PIN 1	24 V DC (US) (L +)
PIN 2	n.c.
PIN 3	0 V (US) (L -)
PIN 4	C / Q / IO-Link
PIN 5	n.c.