

MACX-TR-2T-MUL - Timer relay



1103345

<https://www.phoenixcontact.com/gb/products/1103345>

Please be informed that the data shown in this PDF document is generated from our online catalog. Please find the complete data in the user documentation. Our general terms of use for downloads are valid.



Multifunctional timer relay, 24 V AC/DC ... 240 V AC/DC wide-range supply, with 14 functions, 2 adjustable times, adjustable time range (10 ms ... 999 h:59 min), two configuration possibilities, password protection, supporting dry contacts, PNP and NPN proximity switch inputs, 2 PDTs, screw connection

Commercial data

| | |
|--------------------------------------|---------------|
| Item number | 1103345 |
| Packing unit | 1 pc |
| Minimum order quantity | 1 pc |
| Sales key | DK6621 |
| Product key | DK6621 |
| GTIN | 4055626966038 |
| Weight per piece (including packing) | 188 g |
| Weight per piece (excluding packing) | 132 g |
| Customs tariff number | 85364190 |
| Country of origin | CN |

MACX-TR-2T-MUL - Timer relay



1103345

<https://www.phoenixcontact.com/gb/products/1103345>

Technical data

Product properties

| | |
|-------------------------|--------------------------------|
| Mechanical service life | approx. 3×10^7 cycles |
|-------------------------|--------------------------------|

Insulation characteristics

| | |
|----------------------|------------------|
| Insulation | Basic insulation |
| Overvoltage category | III |
| Pollution degree | 3 |

Electrical properties

| | |
|---------------------------|---|
| Service life electrical | approx. 1×10^5 cycles, resistive load 2000 V A |
| Nominal frequency | 48 Hz ... 63 Hz |
| Nominal power consumption | 2.5 VA (0.8 W) |
| Rated insulation voltage | 300 V AC |
| Dielectric strength | 2 kV ((2 mA, 60 s) (IEC 60947-5-1)) |

Input data

| | |
|----------------------------------|---|
| Nominal power consumption | 2.5 VA (0.8 W) |
| Input voltage range | 24 V AC/DC ... 240 V AC/DC (-15 % ... +10 %) |
| Temperature coefficient, typical | $\leq 0.01 \text{ \%}/^\circ\text{C}$ |
| Recovery time | 100 ms |
| Setting range time | 10 ms ... 59999 min (10 ms ... 999 h 59 min.) |
| Setting accuracy | $\leq 0.5 \text{ \%}$ (> 1 s) |
| Repeat accuracy | $\leq 0.05 \text{ \%}$ (> 1 s) |

Control

| | |
|----------------------|-------------------------------|
| Connection name | Non-floating, terminals A1-B1 |
| Control pulse length | 50 ms |

Output data

Switching

| | |
|---------------------------------------|--------------------------------|
| Contact switching type | 2 floating changeover contacts |
| Contact material | AgSnO ₂ |
| Maximum switching voltage | 400 V AC |
| Interrupting rating (ohmic load) max. | 2000 VA (8 A / 250 V AC) |
| Output fuse | 8 A (fast-blow) |

Connection data

| | |
|----------------------------------|---|
| Connection method | Screw connection |
| Stripping length | 10 mm |
| Conductor cross-section rigid | 0.2 mm ² ... 2.5 mm ² |
| Conductor cross-section flexible | 0.2 mm ² ... 2.5 mm ² |
| Conductor cross-section AWG | 24 ... 14 |

MACX-TR-2T-MUL - Timer relay



1103345

<https://www.phoenixcontact.com/gb/products/1103345>

| | |
|-------------------|---|
| Tightening torque | 0.5 Nm ... 0.6 Nm (5 lb in ... 7 lb in) |
|-------------------|---|

Dimensions

| | |
|--------|---------|
| Width | 22.5 mm |
| Height | 109 mm |
| Depth | 114 mm |

Material specifications

| | |
|--|-----------------|
| Color | gray (RAL 7042) |
| Flammability rating according to UL 94 | V0 |
| Housing insulation material | PBT |

Environmental and real-life conditions

Ambient conditions

| | |
|---|--------------------------------|
| Degree of protection | IP20 |
| Ambient temperature (operation) | -25 °C ... 60 °C |
| Ambient temperature (storage/transport) | -40 °C ... 85 °C |
| Altitude | ≤ 2000 m |
| Permissible humidity (operation) | 10 % ... 95 % (non-condensing) |

Approvals

CE

| | |
|----------------|--------------|
| Identification | CE-compliant |
|----------------|--------------|

UL, USA/Canada

| | |
|----------------|-----------------------|
| Identification | UL/C-UL Listed UL 508 |
|----------------|-----------------------|

CCC

| | |
|----------------|--------------|
| Identification | GB/T 14048.5 |
|----------------|--------------|

EMC data

| | |
|-------------------------------|--|
| Electromagnetic compatibility | Conformance with EMC directive |
| Low Voltage Directive | Conformance with Low Voltage Directive |
| Noise immunity | EN 61000-6-2 |
| Impulse withstand voltage | 4 kV (1.2/50 µs, IEC 60947-5-1) |

Noise emission

| | |
|-----------------------|--------------|
| Standards/regulations | EN 61000-6-4 |
|-----------------------|--------------|

Standards and regulations

| | |
|-----------------------|---------------|
| Standards/regulations | IEC 60947-5-1 |
| | IEC 61812-1 |

Mounting

| | |
|---------------|-------------------|
| Mounting type | DIN rail mounting |
|---------------|-------------------|

MACX-TR-2T-MUL - Timer relay



1103345

<https://www.phoenixcontact.com/gb/products/1103345>

| | |
|-------------------|--|
| Assembly note | on standard DIN rail NS 35 in accordance with EN 60715 |
| Mounting position | any |

MACX-TR-2T-MUL - Timer relay

1103345

<https://www.phoenixcontact.com/gb/products/1103345>



Drawings

Schematic diagram



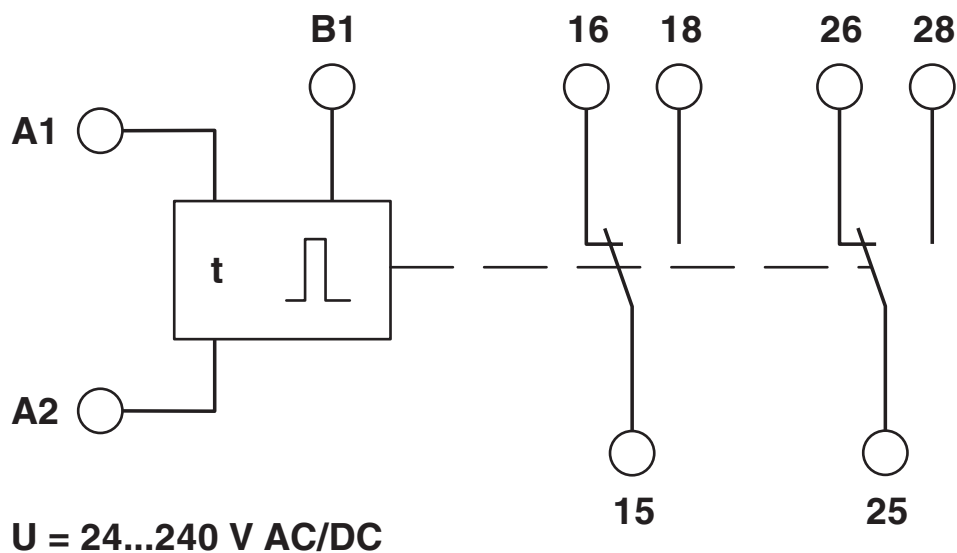
MACX-TR-2T-MUL - Timer relay

1103345

<https://www.phoenixcontact.com/gb/products/1103345>



Block diagram



MACX-TR-2T-MUL - Timer relay



1103345

<https://www.phoenixcontact.com/gb/products/1103345>

Approvals

To download certificates, visit the product detail page: <https://www.phoenixcontact.com/gb/products/1103345>



UL Listed

Approval ID: FILE E 172140



cUL Listed

Approval ID: FILE E 172140



CCC

Approval ID: 2024010303656848

MACX-TR-2T-MUL - Timer relay



1103345

<https://www.phoenixcontact.com/gb/products/1103345>

Classifications

ECLASS

| | |
|-------------|----------|
| ECLASS-13.0 | 27371605 |
| ECLASS-15.0 | 27371605 |

ETIM

| | |
|-----------|----------|
| ETIM 10.0 | EC001439 |
|-----------|----------|

UNSPSC

| | |
|-------------|----------|
| UNSPSC 21.0 | 39122300 |
|-------------|----------|

MACX-TR-2T-MUL - Timer relay



1103345

<https://www.phoenixcontact.com/gb/products/1103345>

Environmental product compliance

EU RoHS

| | |
|---|--------------|
| Fulfills EU RoHS substance requirements | Yes |
| Exemption | 7(a), 7(c)-I |

China RoHS

| | |
|--|---|
| Environment friendly use period (EFUP) | EFUP-50 |
| | An article-related China RoHS declaration table can be found in the download area for the respective article under "Manufacturer declaration". For all articles with EFUP-E, no China RoHS declaration table issued and required. |

EU REACH SVHC

| | |
|-------------------------------------|--------------------------------------|
| REACH candidate substance (CAS No.) | Lead(CAS: 7439-92-1) |
| SCIP | b058784d-32c5-4b12-820e-3a15bc7f4bce |

Phoenix Contact 2026 © - all rights reserved

<https://www.phoenixcontact.com>

PHOENIX CONTACT Ltd
Halesfield 13, Telford
Shropshire, TF7 4PG
01952 681700
info@phoenixcontact.co.uk