

VAL-SPP-T2-275-3+1-UT-R - Type 2 surge arrester



1466214

<https://www.phoenixcontact.com/gb/products/1466214>

Please be informed that the data shown in this PDF document is generated from our online catalog. Please find the complete data in the user documentation. Our general terms of use for downloads are valid.



Plug-in surge arrester, in accordance with Type 2/Class II, for 3-phase power supply networks with separate N and PE (5-conductor system: L1, L2, L3, N, PE), with remote indication contact.

Your advantages

- Easy and safe installation with forward-thinking handling and safety features
- Reliable system protection with maximum performance and endurance
- Can be used in a wide range of applications due to the optimized design and broad portfolio
- Simple planning due to comprehensive digital data and selectors

Commercial data

Item number	1466214
Packing unit	1 pc
Minimum order quantity	1 pc
Sales key	CL1381
Product key	CL1381
GTIN	4063151860561
Weight per piece (including packing)	474 g
Weight per piece (excluding packing)	444.3 g
Customs tariff number	85363030
Country of origin	DE

VAL-SPP-T2-275-3+1-UT-R - Type 2 surge arrester



1466214

<https://www.phoenixcontact.com/gb/products/1466214>

Technical data

Notes

General

Note	For pollution degree 3 and wiring with fork cable lugs, an additional minimum lateral distance of 1 mm to earthed conductive surfaces must be maintained for cross-sections $\geq 16 \text{ mm}^2$. No additional lateral distances are required for pollution degree 2.
------	--

Product properties

Product family	VAL-SPP
IEC test classification	II T2
EN type	T2
IEC power supply system	TN-S TT
Type	DIN rail module, two-section, divisible
Number of positions	4
Surge protection fault message	Optical, remote indicator contact

Insulation characteristics

Overvoltage category	III
Pollution degree	3

Electrical properties

Nominal frequency f_N	50 Hz (60 Hz)
-------------------------	---------------

Indicator/remote signaling

Connection name	Remote fault indicator contact
Switching function	Changeover contact
Max. required back-up fuse	1 A (gG)
AC operating voltage	5 V AC ... 250 V AC ($\leq 2000 \text{ m (amsl)}$ at pollution degree 2) 5 V AC ... 150 V AC ($\leq 5000 \text{ m (amsl)}$)
AC operating current	5 mA AC ... 1 A AC
DC operating voltage	30 V DC ($\leq 5000 \text{ m (amsl)}$)
DC operating current	1 A DC
DC operating voltage	125 V DC ($\leq 5000 \text{ m (amsl)}$)
DC operating current	200 mA DC
Insulation type	The product has double/reinforced insulation between the main and auxiliary circuit.

Connection data

Connection method	Screw connection
Screw thread	M5

VAL-SPP-T2-275-3+1-UT-R - Type 2 surge arrester



1466214

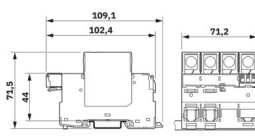
<https://www.phoenixcontact.com/gb/products/1466214>

Tightening torque	3 Nm ... 3.5 Nm
Stripping length	18 mm
Conductor cross-section flexible	1.5 mm ² ... 35 mm ² (without ferrule) 2x 1.5 mm ² ... 16 mm ² (2 conductors with the same cross-section)
Conductor cross-section rigid	1.5 mm ² ... 50 mm ² 2x 1.5 mm ² ... 16 mm ² (2 conductors with the same cross-section)
Conductor cross-section AWG	15 ... 2
2 conductors with the same cross section, flexible, with TWIN ferrule with plastic sleeve	1.5 mm ² ... 16 mm ²
Conductor cross-section, flexible, with ferrule, with plastic sleeve	1.5 mm ² ... 35 mm ² 2x 1.5 mm ² ... 10 mm ² (2 conductors with the same cross-section)
Conductor cross-section, flexible, with ferrule, without plastic sleeve	1.5 mm ² ... 25 mm ² 2x 1.5 mm ² ... 16 mm ² (2 conductors with the same cross-section)
Connection method	Fork-type cable lug
Conductor cross-section flexible	1.5 mm ² ... 25 mm ²

Remote fault indicator contact

Connection method	Push-in connection
Stripping length	8 mm
Conductor cross-section flexible	0.25 mm ² ... 1.5 mm ²
Conductor cross-section rigid	0.25 mm ² ... 1.5 mm ²
Conductor cross-section AWG	24 ... 16
Conductor cross-section, flexible, with ferrule, with plastic sleeve	0.25 mm ² ... 1.5 mm ²
Conductor cross-section, flexible, with ferrule, without plastic sleeve	0.25 mm ² ... 0.75 mm ²

Dimensions

Dimensional drawing	
Width	71.2 mm
Height	109.1 mm
Depth	71.5 mm (incl. DIN rail 7.5 mm)
Horizontal pitch	4 Div.

Material specifications

Color	gray (RAL 7042) light gray (RAL 7035)
Flammability rating according to UL 94	V-0
CTI value of material	600

VAL-SPP-T2-275-3+1-UT-R - Type 2 surge arrester



1466214

<https://www.phoenixcontact.com/gb/products/1466214>

Insulating material	PA 6.6-FR 20 % GF
	PBT
Material group	I
Housing material	PA 6.6-FR 20 % GF
	PBT

Protective circuit

Mode of protection	L-N
	L-PE
	N-PE
Nominal voltage U_N	240/415 V AC $\pm 10\%$ (TN-S)
	240/415 V AC $\pm 10\%$ (TT)
Nominal frequency f_N	50 Hz (60 Hz)
Maximum continuous operating voltage U_C (L-N)	275 V AC
Maximum continuous operating voltage U_C (L-PE)	275 V AC
Maximum continuous operating voltage U_C (N-PE)	305 V AC
Rated load current I_L	80 A (25 mm ²)
Protective conductor current I_{PE}	$\leq 5 \mu A$
Standby power consumption P_C	≤ 360 mVA
Nominal discharge current I_n (8/20) μs	20 kA
Maximum discharge current I_{max} (8/20) μs	40 kA
Total discharge current I_{Total} (8/20) μs	40 kA
Follow current interrupt rating I_{fi} (N-PE)	100 A
Short-circuit current rating I_{SCCR}	50 kA
Voltage protection level U_p (L-N)	≤ 1.35 kV
Voltage protection level U_p (L-PE)	≤ 1.6 kV
Voltage protection level U_p (N-PE)	≤ 1.5 kV
Residual voltage U_{res} (L-N)	≤ 1.35 kV (at I_n)
	≤ 1.1 kV (at 10 kA)
	≤ 1 kV (at 5 kA)
	≤ 0.9 kV (at 3 kA)
Residual voltage U_{res} (L-PE)	≤ 1.6 kV (at I_n)
	≤ 1.3 kV (at 10 kA)
	≤ 1.1 kV (at 5 kA)
	≤ 1 kV (at 3 kA)
Residual voltage U_{res} (N-PE)	≤ 0.5 kV (at I_n)
	≤ 0.4 kV (at 10 kA)
	≤ 0.3 kV (at 5 kA)
	≤ 0.1 kV (at 3 kA)
TOV behavior at U_T (L-N)	350 V AC (5 s / withstand mode)
	460 V AC (120 min / safe failure mode)
TOV behavior at U_T (L-PE)	1464 V AC (200 ms/withstand mode)
TOV behavior at U_T (N-PE)	1200 V AC (200 ms / withstand mode)
Response time t_A (L-N)	≤ 25 ns

VAL-SPP-T2-275-3+1-UT-R - Type 2 surge arrester



1466214

<https://www.phoenixcontact.com/gb/products/1466214>

Response time t_A (L-PE)	≤ 100 ns
Response time t_A (N-PE)	≤ 100 ns
Max. backup fuse with V-type through wiring	80 A (gG)
Max. backup fuse with branch wiring	315 A (gG)

Additional technical data

Short-circuit current rating I_{SCCR}	100 kA
---	--------

Environmental and real-life conditions

Ambient conditions

Degree of protection	IP20C (Installed)
Ambient temperature (operation)	-40 °C ... 85 °C
Ambient temperature (storage/transport)	-40 °C ... 85 °C
Ambient temperature (assembly)	-5 °C ... 50 °C
Altitude	≤ 5000 m (amsl)
Permissible humidity (operation)	5 % ... 95 %
Shock (operation)	25g (Half-sine / 11 ms / 3x $\pm X$, $\pm Y$, $\pm Z$)
Vibration (operation)	5g (10 ... 500 Hz / 2.5 h / X, Y, Z)

Approvals

UL specifications

Maximum continuous operating voltage MCOV (L-L)	550 V AC
Maximum continuous operating voltage MCOV (L-N)	275 V AC
Maximum continuous operating voltage MCOV (L-G)	275 V AC
Maximum continuous operating voltage MCOV (N-G)	305 V AC
Nominal discharge current I_n	20 kA
Mode of protection	L-L L-N L-G N-G
Nominal voltage	240/415 V AC
Power distribution system	Wye
Nominal frequency	50/60 Hz
Measured limiting voltage MLV (L-L)	2700 V
Measured limiting voltage MLV (L-N)	1350 V
Measured limiting voltage MLV (L-G)	2490 V
Measured limiting voltage MLV (N-G)	1140 V
SPD Type	4CA

UL indicator/remote signaling

Operating voltage	250 V AC
DC operating voltage	30 V DC
AC operating current	5 mA AC ... 1 A AC
DC operating current	1 A DC

VAL-SPP-T2-275-3+1-UT-R - Type 2 surge arrester



1466214

<https://www.phoenixcontact.com/gb/products/1466214>

UL connection data

Tightening torque	30 lb _F -in.
Conductor cross-section AWG	14 ... 2

Standards and regulations

Standards/specifications	IEC 61643-11
Note	2011
Standards/specifications	EN 61643-11
Note	2012 + A11:2018

Mounting

Mounting type	DIN rail: 35 mm
---------------	-----------------

VAL-SPP-T2-275-3+1-UT-R - Type 2 surge arrester

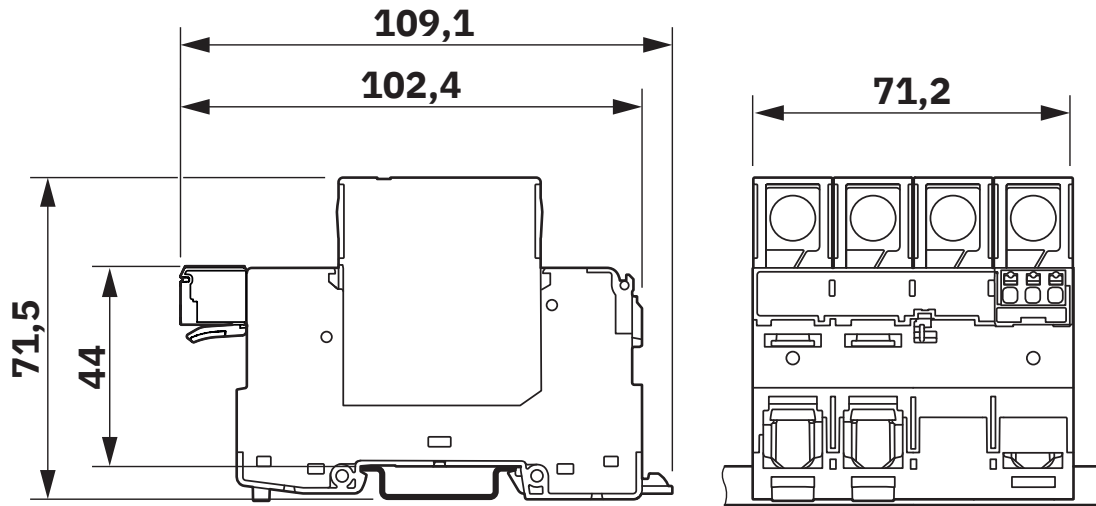


1466214

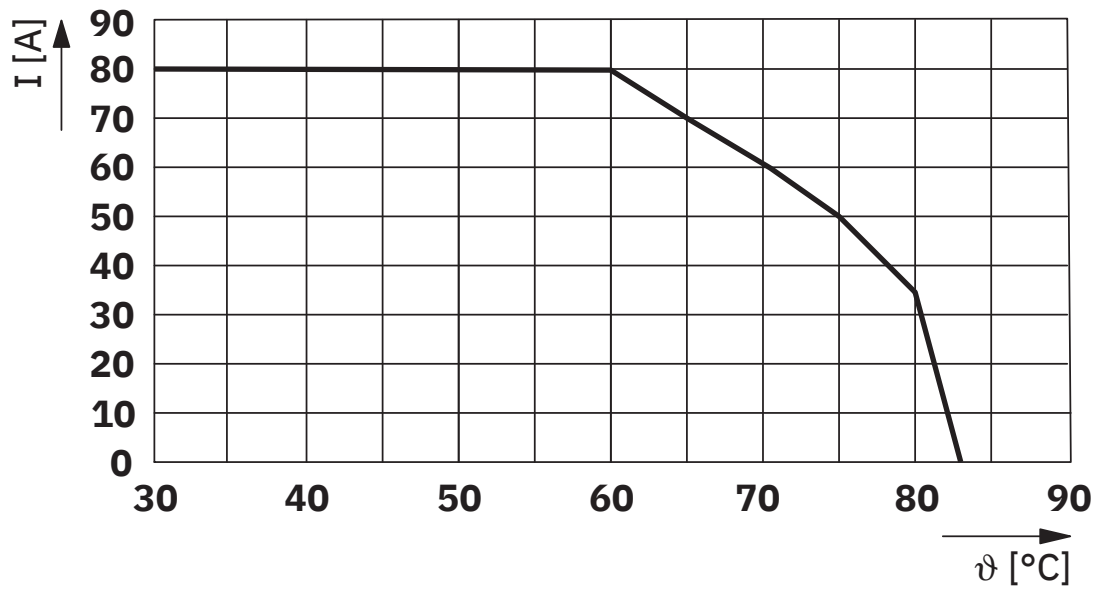
<https://www.phoenixcontact.com/gb/products/1466214>

Drawings

Dimensional drawing



Diagram



Max. permissible current in relation to the ambient temperature

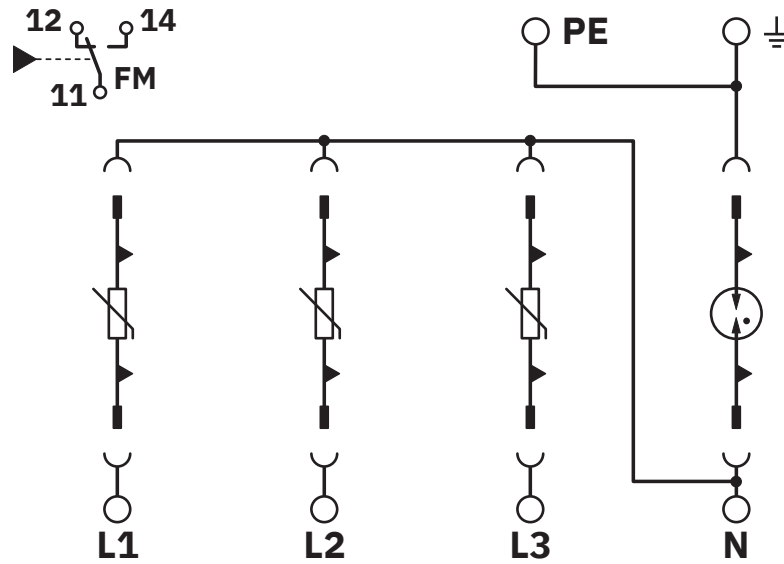
VAL-SPP-T2-275-3+1-UT-R - Type 2 surge arrester

1466214

<https://www.phoenixcontact.com/gb/products/1466214>



Circuit diagram



VAL-SPP-T2-275-3+1-UT-R - Type 2 surge arrester



1466214

<https://www.phoenixcontact.com/gb/products/1466214>

Approvals

To download certificates, visit the product detail page: <https://www.phoenixcontact.com/gb/products/1466214>



IECEE CB Scheme

Approval ID: NL-109184

CCA

Approval ID: NTR NL-8052

DNV

Approval ID: TAE0000501



IECEE CB Scheme

Approval ID: NL-118261



cULus Recognized

Approval ID: E330181-20240717

VAL-SPP-T2-275-3+1-UT-R - Type 2 surge arrester



1466214

<https://www.phoenixcontact.com/gb/products/1466214>

Classifications

ECLASS

ECLASS-13.0	27171202
ECLASS-15.0	27171202

ETIM

ETIM 10.0	EC000941
-----------	----------

UNSPSC

UNSPSC 21.0	39121600
-------------	----------

VAL-SPP-T2-275-3+1-UT-R - Type 2 surge arrester



1466214

<https://www.phoenixcontact.com/gb/products/1466214>

Environmental product compliance

EU RoHS

Fulfills EU RoHS substance requirements	Yes, No exemptions
---	--------------------

China RoHS

Environment friendly use period (EFUP)	EFUP-E
	No hazardous substances above the limits

EU REACH SVHC

REACH candidate substance (CAS No.)	No substance above 0.1 wt%
-------------------------------------	----------------------------

Phoenix Contact 2026 © - all rights reserved
<https://www.phoenixcontact.com>

PHOENIX CONTACT Ltd
Halesfield 13, Telford
Shropshire, TF7 4PG
01952 681700
info@phoenixcontact.co.uk