

# HC-STA-B16-BWD-ELC-AL - Housing



1411327

<https://www.phoenixcontact.com/gb/products/1411327>

Please be informed that the data shown in this PDF document is generated from our online catalog. Please find the complete data in the user documentation. Our general terms of use for downloads are valid.



HEAVYCON B16 panel mounting base, with double locking latch, with flat gasket, salt-water-resistant aluminum, conductive profile gasket

## Your advantages

- Good shielding in the event of electromagnetic interference

## Commercial data

Item number	1411327
Packing unit	1 pc
Minimum order quantity	1 pc
Sales key	AF7APB
Product key	AF7APB
GTIN	4046356927475
Weight per piece (including packing)	118.1 g
Weight per piece (excluding packing)	113 g
Customs tariff number	85389099
Country of origin	CN

1411327

<https://www.phoenixcontact.com/gb/products/1411327>

## Technical data

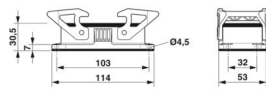
### Notes

General	For contact inserts HC-B16, BB32, D40, DD72, HS6, M, K
General	also available as a powder-coated or color version: 1373288 HC-STA-B16-BWD-EL/.../...

### Product properties

Housing type	Panel mounting base
Application	Standard
Type	B16
Pg screw connection	none

### Dimensions

Dimensional drawing	
Width	53 mm
Height	30.5 mm
Length	114 mm
Drill hole distance, horizontal	103 mm
Drill hole distance, vertical	32 mm
Hole diameter	4.5 mm

### Installation dimensions

Width of the assembly cutout	35 mm
Length of the assembly cutout	86 mm

### Material specifications

Flammability rating according to UL 94	V0 (Interlock)
Seal material	NBR, conductive NBR, conductive
Housing material	Die-cast aluminum, salt water resistant
Housing surface material	uncoated
Locking latch material	Polyamide

### Mechanical properties

#### Mechanical data

Locking type	Latch
--------------	-------

### Connection data

Tightening torque	0.8 Nm ... 1.2 Nm (For M4 mounting screws on the panel-mount base)
-------------------	--

1411327

<https://www.phoenixcontact.com/gb/products/1411327>

## Environmental and real-life conditions

### Ambient conditions

Degree of protection	IP66
	IP67
Enclosure rating (NEMA)	4 (UL 50e)
	4X (UL 50e)
	12 (UL 50e)
Impact strength	IK09
Ambient temperature (operation)	-40 °C ... 125 °C

# HC-STA-B16-BWD-ELC-AL - Housing

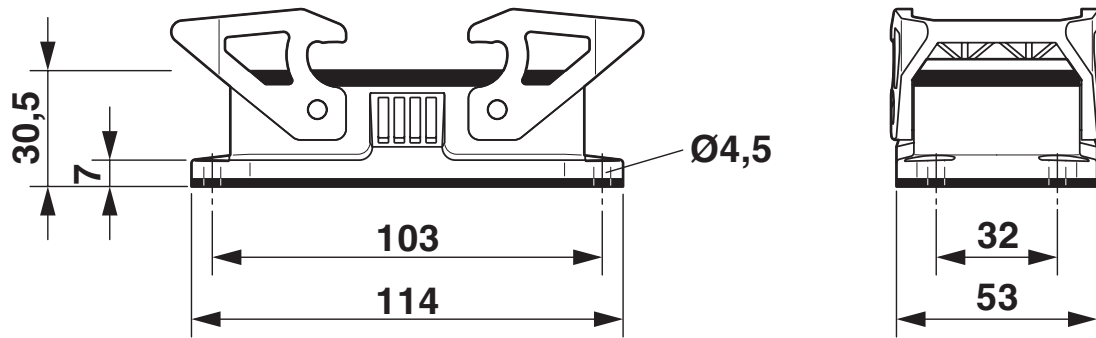


1411327

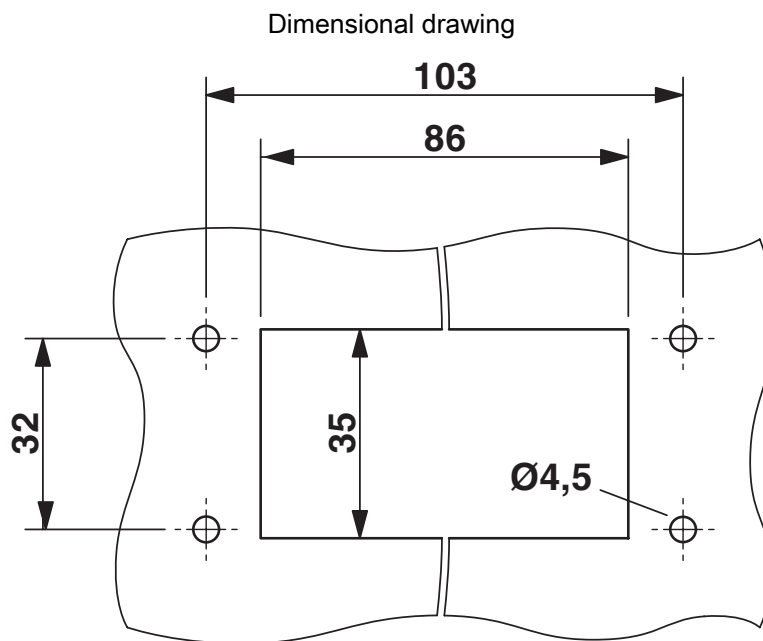
<https://www.phoenixcontact.com/gb/products/1411327>

## Drawings

Dimensional drawing



Dimensional drawing




Mounting cutout

1411327

<https://www.phoenixcontact.com/gb/products/1411327>

## Approvals

 To download certificates, visit the product detail page: <https://www.phoenixcontact.com/gb/products/1411327>

**DNV**

Approval ID: TAE000037S



**cUL Recognized**

Approval ID: E255026



**UL Recognized**

Approval ID: E255026

1411327

<https://www.phoenixcontact.com/gb/products/1411327>

## Classifications

### ECLASS

ECLASS-13.0	27440202
ECLASS-15.0	27440202

### ETIM

ETIM 10.0	EC000437
-----------	----------

### UNSPSC

UNSPSC 21.0	31261500
-------------	----------

1411327

<https://www.phoenixcontact.com/gb/products/1411327>

## Environmental product compliance

### EU RoHS

Fulfills EU RoHS substance requirements	Yes, No exemptions
---	--------------------

### China RoHS

Environment friendly use period (EFUP)	EFUP-E
	No hazardous substances above the limits

### EU REACH SVHC

REACH candidate substance (CAS No.)	No substance above 0.1 wt%
-------------------------------------	----------------------------

Phoenix Contact 2026 © - all rights reserved  
<https://www.phoenixcontact.com>

PHOENIX CONTACT Ltd  
Halesfield 13, Telford  
Shropshire, TF7 4PG  
01952 681700  
[info@phoenixcontact.co.uk](mailto:info@phoenixcontact.co.uk)