

HC-STA-B06-HLFS-1STM20-EL-AL - Housing



1412570

<https://www.phoenixcontact.com/gb/products/1412570>

Please be informed that the data shown in this PDF document is generated from our online catalog. Please find the complete data in the user documentation. Our general terms of use for downloads are valid.



Sleeve housing B6, for single locking latch, material: Die-cast aluminum, salt water resistant, cable outlets: 1, lateral, 1x M20, height: 52 mm, cable gland: none, Standard

Your advantages

- Good shielding in the event of electromagnetic interference

Commercial data

Item number	1412570
Packing unit	1 pc
Minimum order quantity	1 pc
Sales key	AF7APB
Product key	AF7APB
GTIN	4055626059105
Weight per piece (including packing)	115.5 g
Weight per piece (excluding packing)	115 g
Customs tariff number	85389099
Country of origin	PL

HC-STA-B06-HLFS-1STM20-EL-AL - Housing



1412570

<https://www.phoenixcontact.com/gb/products/1412570>

Technical data

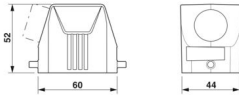
Notes

General	For contact inserts HC-B6, BB10, DD24, M
General	also available as a powder-coated or color version: 1372645 HC-STA-B06-HLFS-1STM20-EL/...

Product properties

Housing type	Sleeve housing
Application	Standard
Type	B6
No. of cable outlets	1
Type of the screw connection	1x M20
Cable outlet	lateral
Pg screw connection	none

Dimensions

Dimensional drawing	
Width	44 mm
Height	52 mm
Length	60 mm

Material specifications

Housing material	Die-cast aluminum, salt water resistant
Housing surface material	uncoated

Mechanical properties

Mechanical data

Type of the screw connection	1x M20
Locking type	Pin

Environmental and real-life conditions

Ambient conditions

Degree of protection	IP66 IP67
Enclosure rating (NEMA)	4 (UL 50e) 4X (UL 50e) 12 (UL 50e)
Impact strength	IK08

HC-STA-B06-HLFS-1STM20-EL-AL - Housing



1412570

<https://www.phoenixcontact.com/gb/products/1412570>

Ambient temperature (operation)

-40 °C ... 125 °C

HC-STA-B06-HLFS-1STM20-EL-AL - Housing

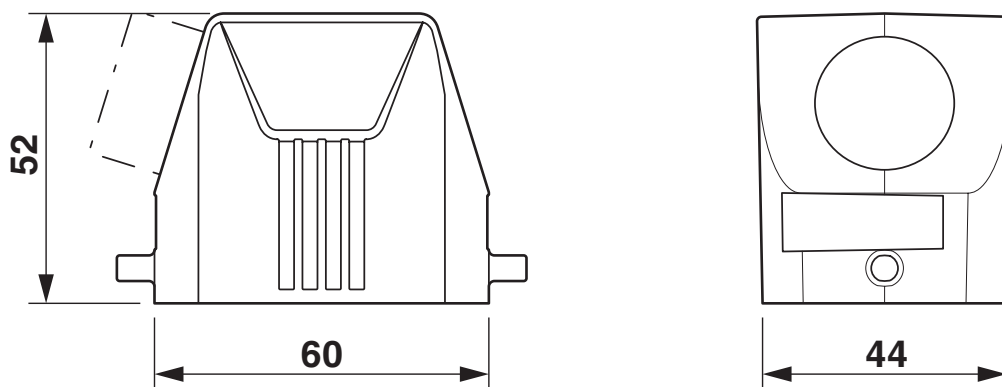
1412570

<https://www.phoenixcontact.com/gb/products/1412570>



Drawings

Dimensional drawing



Dimensional drawing

1412570

<https://www.phoenixcontact.com/gb/products/1412570>

Approvals

To download certificates, visit the product detail page: <https://www.phoenixcontact.com/gb/products/1412570>

DNV

Approval ID: TAE000037S



cUL Recognized

Approval ID: E255026



UL Recognized

Approval ID: E255026



EAC

Approval ID: RU C-DE.AI30.B.01102

1412570

<https://www.phoenixcontact.com/gb/products/1412570>

Classifications

ECLASS

ECLASS-13.0	27440202
ECLASS-15.0	27440202

ETIM

ETIM 10.0	EC000437
-----------	----------

UNSPSC

UNSPSC 21.0	31261500
-------------	----------

1412570

<https://www.phoenixcontact.com/gb/products/1412570>

Environmental product compliance

EU RoHS

Fulfills EU RoHS substance requirements	Yes, No exemptions
---	--------------------

China RoHS

Environment friendly use period (EFUP)	EFUP-E
	No hazardous substances above the limits

EU REACH SVHC

REACH candidate substance (CAS No.)	No substance above 0.1 wt%
-------------------------------------	----------------------------

EF3.1 Climate Change

CO2e kg	2.393 kg CO2e
---------	---------------

Phoenix Contact 2026 © - all rights reserved
<https://www.phoenixcontact.com>

PHOENIX CONTACT Ltd
Halesfield 13, Telford
Shropshire, TF7 4PG
01952 681700
info@phoenixcontact.co.uk