

PLT-SEC-T3-3S-230-P - Type 3 surge protection plug



2905236

<https://www.phoenixcontact.com/gb/products/2905236>

Please be informed that the data shown in this PDF document is generated from our online catalog. Please find the complete data in the user documentation. Our general terms of use for downloads are valid.



Replacement plug for type 3 device protection from the PLUGTRAB SEC T3 3S product range.
230 V nominal voltage.

Your advantages

- Surge protection family for universal use with optimum energy coordination from the lightning current arrester to the device protection
- Easy to maintain due to consistently pluggable protection modules
- Excellent level of information provided by mechanical/visual status indicator and remote indication contact
- Your preferred connection technology can be selected as both screw connection and Push-in connection are available
- Optimal additional protection of the industrial power supply for a longer service life and increased availability of the system

Commercial data

Item number	2905236
Packing unit	1 pc
Minimum order quantity	1 pc
Sales key	CL14A1
Product key	CL14A1
GTIN	4046356939751
Weight per piece (including packing)	80.9 g
Weight per piece (excluding packing)	80.9 g
Customs tariff number	85363090
Country of origin	DE

PLT-SEC-T3-3S-230-P - Type 3 surge protection plug



2905236

<https://www.phoenixcontact.com/gb/products/2905236>

Technical data

Product properties

Product family	SEC Family
IEC power supply system	TN-S
	TT
Type	Male
Number of positions	4
Surge protection fault message	optical

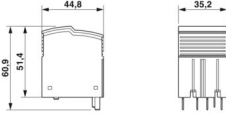
Insulation characteristics

Overvoltage category	III
Pollution degree	2
IEC test classification	III
	T3
EN type	T3

Connection data

Connection method	pluggable
-------------------	-----------

Dimensions

Dimensional drawing	
Width	35.2 mm
Height	44.8 mm
Depth	60.9 mm
Horizontal pitch	2 Div.

Material specifications

Color	light gray (RAL 7035)
Flammability rating according to UL 94	V-0
CTI value of material	600
Insulating material	PA 6.6-FR 20% GF
	PA 6.6-FR
Material group	I
Housing material	PA 6.6-FR 20 % GF
	PA 6.6-FR

Protective circuit

Mode of protection	L-N
	L-PE

	N-PE
Direction of action	3L-N & N-PE
Nominal voltage U_N	230/400 V AC (TN-S)
	230/400 V AC (TT - only in use with RCD)
Nominal frequency f_N	50 Hz (60 Hz)
Maximum continuous operating voltage U_C	264 V AC
Protective conductor current I_{PE}	$\leq 5 \mu A$
Standby power consumption P_C	$\leq 2 VA$ (at U_{REF})
	$\leq 2.2 VA$ (at U_C)
Reference test voltage U_{REF}	255 V AC
Nominal discharge current I_n (8/20) μs	3 kA
Combination wave U_{OC}	6 kV
Voltage protection level U_p (L-N)	$\leq 1.4 kV$
Voltage protection level U_p (L-PE)	$\leq 1.5 kV$
Voltage protection level U_p (N-PE)	$\leq 1.5 kV$
TOV behavior at U_T (L-N)	440 V AC (5 s / withstand mode)
	440 V AC (120 min / withstand mode)
TOV behavior at U_T (L-PE)	440 V AC (5 s / withstand mode)
	440 V AC (120 min / withstand mode)
	1455 V AC (200 ms / safe failure mode)
TOV behavior at U_T (N-PE)	1200 V AC (200 ms / safe failure mode)
Response time t_A (L-N)	$\leq 25 ns$
Response time t_A (L-PE)	$\leq 100 ns$
Response time t_A (N-PE)	$\leq 100 ns$
Short-circuit current rating I_{SCCR}	1.5 kA AC

Environmental and real-life conditions

Ambient conditions

Degree of protection	IP20
Ambient temperature (operation)	-40 °C ... 70 °C
Ambient temperature (storage/transport)	-40 °C ... 70 °C
Altitude	$\leq 2000 m$ (amsl)
Permissible humidity (operation)	5 % ... 95 %
Shock (operation)	30g (Half-sine / 11 ms / 3x $\pm X$, $\pm Y$, $\pm Z$)
Vibration (operation)	5g (10 Hz ... 150 Hz / 20 cycles/axis / X, Y, Z)

Standards and regulations

Standards/specifications	IEC 61643-11
Note	2011

EN 61643-11

Standards/specifications	EN 61643-11
Note	2012

PLT-SEC-T3-3S-230-P - Type 3 surge protection plug



2905236

<https://www.phoenixcontact.com/gb/products/2905236>

Mounting

Mounting type

on base element

PLT-SEC-T3-3S-230-P - Type 3 surge protection plug

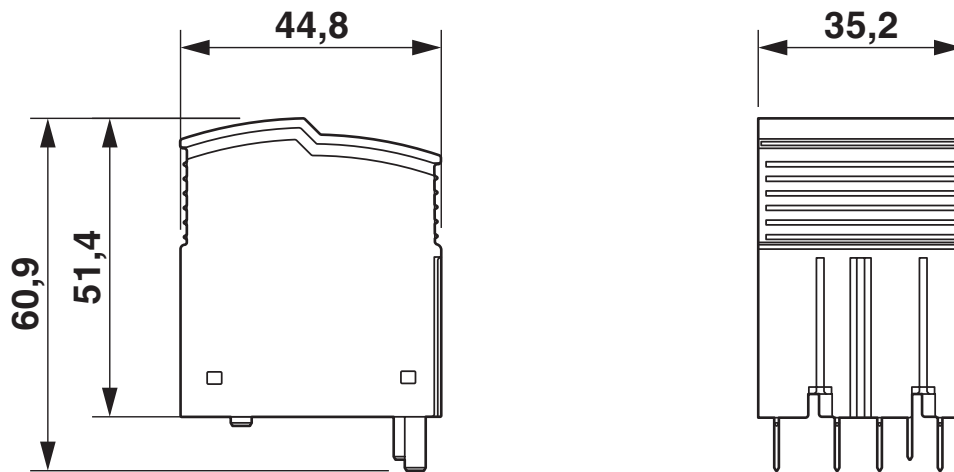


2905236

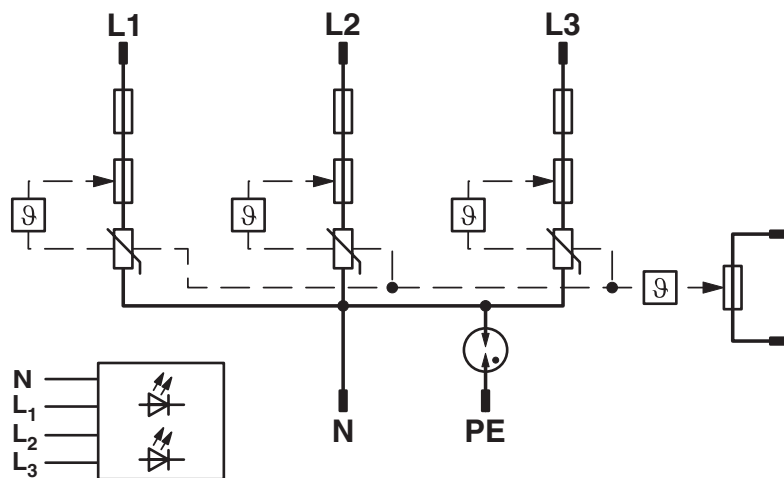
<https://www.phoenixcontact.com/gb/products/2905236>

Drawings

Dimensional drawing



Circuit diagram



PLT-SEC-T3-3S-230-P - Type 3 surge protection plug



2905236

<https://www.phoenixcontact.com/gb/products/2905236>

Approvals

🔗 To download certificates, visit the product detail page: <https://www.phoenixcontact.com/gb/products/2905236>

UAE-RoHS

Approval ID: 23-10-88891

2905236

<https://www.phoenixcontact.com/gb/products/2905236>

Classifications

ECLASS

ECLASS-13.0	27171292
ECLASS-15.0	27171292

ETIM

ETIM 10.0	EC002496
-----------	----------

UNSPSC

UNSPSC 21.0	39121600
-------------	----------

2905236

<https://www.phoenixcontact.com/gb/products/2905236>

Environmental product compliance

EU RoHS

Fulfills EU RoHS substance requirements	Yes
Exemption	7(a), 7(c)-I

China RoHS

Environment friendly use period (EFUP)	EFUP-50
	An article-related China RoHS declaration table can be found in the download area for the respective article under "Manufacturer declaration". For all articles with EFUP-E, no China RoHS declaration table issued and required.

EU REACH SVHC

REACH candidate substance (CAS No.)	Lead(CAS: 7439-92-1)
	6,6'-di-tert-butyl-2,2'-methylenedi-p-cresol(CAS: 119-47-1)
SCIP	4f7e9bd0-7ece-427a-afe7-fa1cd335e1ac

Phoenix Contact 2026 © - all rights reserved
<https://www.phoenixcontact.com>

PHOENIX CONTACT Ltd
 Halesfield 13, Telford
 Shropshire, TF7 4PG
 01952 681700
info@phoenixcontact.co.uk