



M12 branch for AS-Interface flat cable, with M12 socket, with lever

product brand name	SIRIUS
product category	AS-Interface accessories
product designation	AS-i flat cable transition to M12
design of the product	AS-i M12 branch, for AS-i flat cable, M12 socket, 2-pole, IP67, lever-type connection
suitability for use	can be used for AS-i flat cable (yellow) and AUX flat cable (black) connections
<b>General technical data</b>	
number of sockets	1
operating voltage at DC rated value	60 V
operating voltage at AC rated value	50 V
operational current rated value	4 A
number of poles	2
contact rating maximum	4 A
operating resource protection class when installed	3
degree of pollution	3
overvoltage category	III
protection class IP	IP67
Substance Prohibitance (Date)	05/01/2012
Net Weight	0.017 kg
material	
• of the enclosure	PA, glass-fiber reinforced, UL94-HB
<b>Installation/ mounting/ dimensions</b>	
mounting type	screw mounting with fixing lugs
height	30 mm
width	22 mm
length	50 mm
<b>Ambient conditions</b>	
installation altitude at height above sea level maximum	2 000 m
ambient temperature	
• during operation	-25 ... +75 °C
• during storage	-25 ... +75 °C
<b>Connections/ Terminals</b>	
type of electrical connection	insulation piercing method for AS-Interface flat cable
design of the AS-Interface connection	1x M12 socket
feeder type	M12 socket, A-coding
mounting type of the flat cable	lever-type connection
installation or assembly note	flat cable end not permitted in the branch (without end cap)
tightening torque at the M12 connection	0.4 ... 0.6 N·m
contact assignment of the M12 connection for connecting	

<b>an AS-i flat cable</b> <ul style="list-style-type: none"> <li>• at pin 1</li> <li>• at pin 2</li> <li>• at pin 3</li> <li>• at pin 4</li> <li>• at pin 5</li> </ul>	ASI+ not connected ASI- not connected not connected
<b>contact assignment of the M12 connection for connecting an AUX flat cable</b> <ul style="list-style-type: none"> <li>• at pin 1</li> <li>• at pin 2</li> <li>• at pin 3</li> <li>• at pin 4</li> <li>• at pin 5</li> </ul>	AUX+ not connected AUX- not connected not connected

### Approvals Certificates

General Product Approval	other	Environment
--------------------------	-------	-------------



[Confirmation](#)



[Environmental Confirmations](#)

### Further information

**Siemens is working on the renewal of the current EAC certificates.**

Please contact your local Siemens office on the status of validity of the EAC certification if you intend to import or offer to supply these products to an EAC relevant market (other than the sanctioned EAEU member states Russia or Belarus).

**Siemens has decided to exit the Russian market (see here).**

<https://press.siemens.com/global/en/pressrelease/siemens-wind-down-russian-business>

**Information on the packaging**

<https://support.industry.siemens.com/cs/ww/en/view/109813875>

**Information for data generation and storage**

<https://support.industry.siemens.com/cs/ww/en/view/109995012>

**Information- and Downloadcenter (Catalogs, Brochures,...)**

<https://www.siemens.com/ic10>

**Industry Mall (Online ordering system)**

<https://mall.industry.siemens.com/mall/en/en/Catalog/product?mlfb=3RX9801-0AA01>

**Cax online generator**

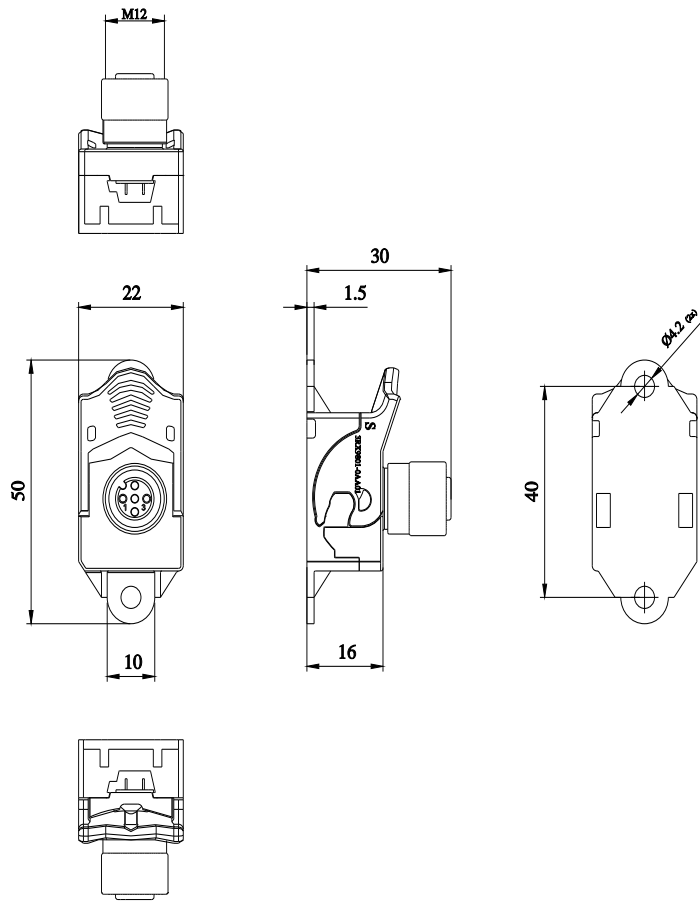
<https://support.automation.siemens.com/WW/CAXorder/default.aspx?lang=en&mlfb=3RX9801-0AA01>

**Service&Support (Manuals, Certificates, Characteristics, FAQs,...)**

<https://support.industry.siemens.com/cs/ww/en/ps/3RX9801-0AA01>

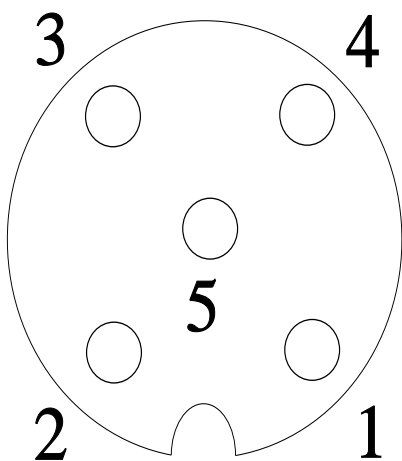
**Image database (product images, 2D dimension drawings, 3D models, device circuit diagrams, EPLAN macros, ...)**

[https://www.automation.siemens.com/bilddb/cax\\_de.aspx?mlfb=3RX9801-0AA01&lang=en](https://www.automation.siemens.com/bilddb/cax_de.aspx?mlfb=3RX9801-0AA01&lang=en)



### AS-i cable (yellow)

1	ASI+
2	
3	ASI-
4	
5	



### AUX cable (black)

1	AUX+
2	
3	AUX-
4	
5	

