

M12 female 0° X-cod. / RJ45 male 0° shielded

PUR 4x2xAWG26 shielded gn UL/CSA 5m

Art.No.: 7000-51151-7900500

Weight: 0,276 kg

Country of origin: CZ

Model designation: MSXBL0-RA-08D790_5.0-ZS

Product fulfills requirements according to UN/ECE R118

M12 – RJ45, 8-pole

Female straight – male straight

X-coded

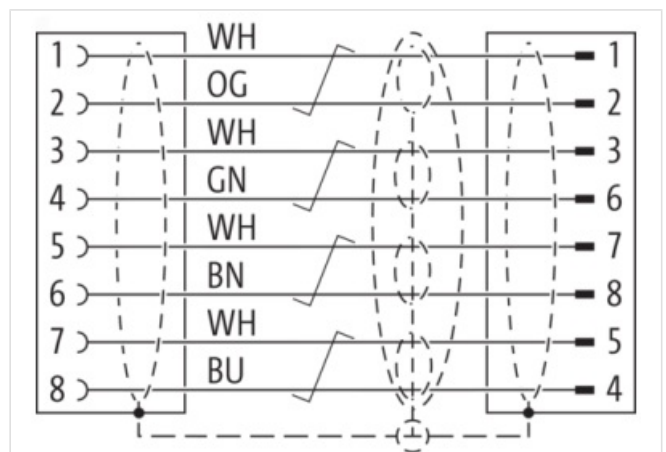
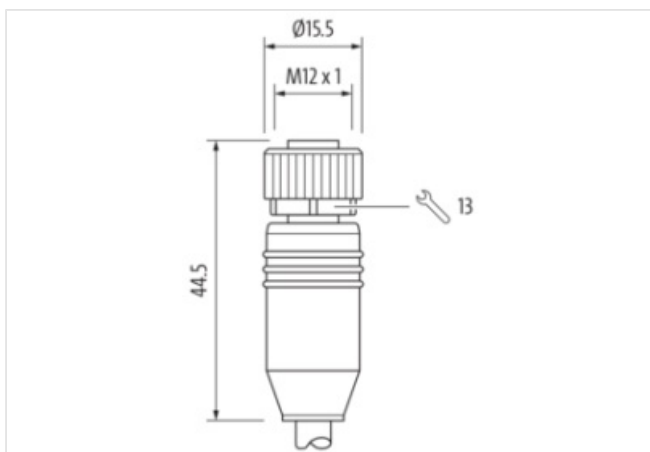
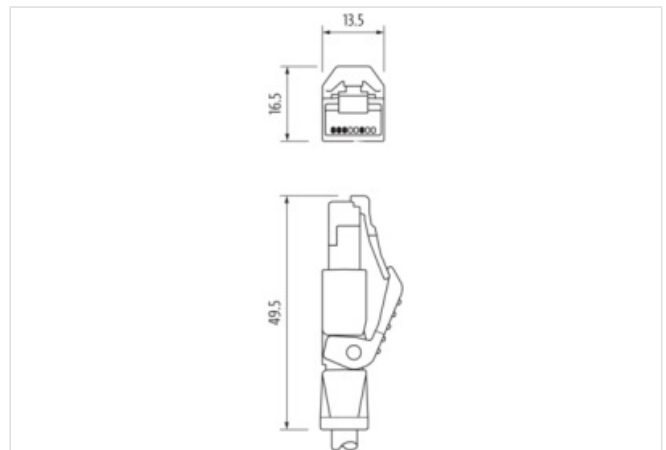
Shielded

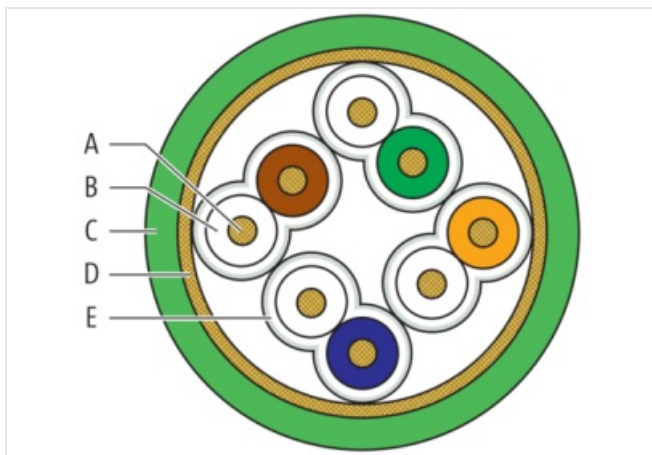
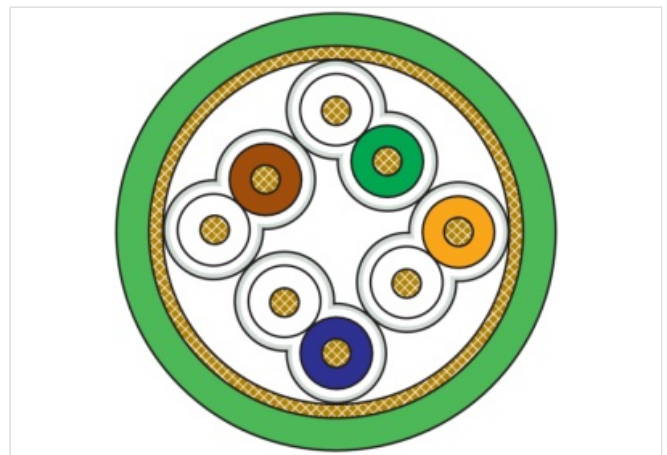
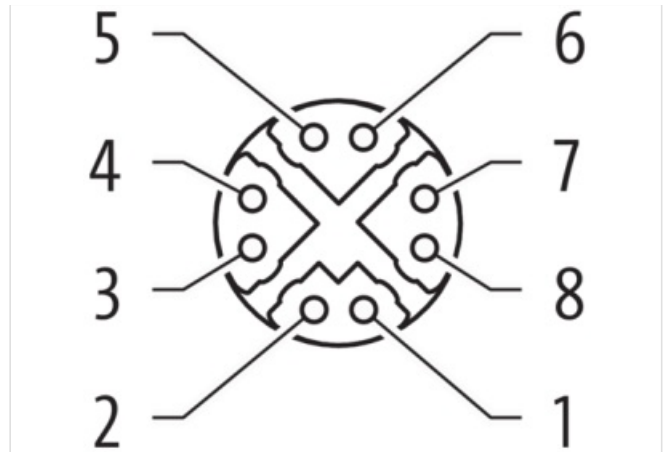
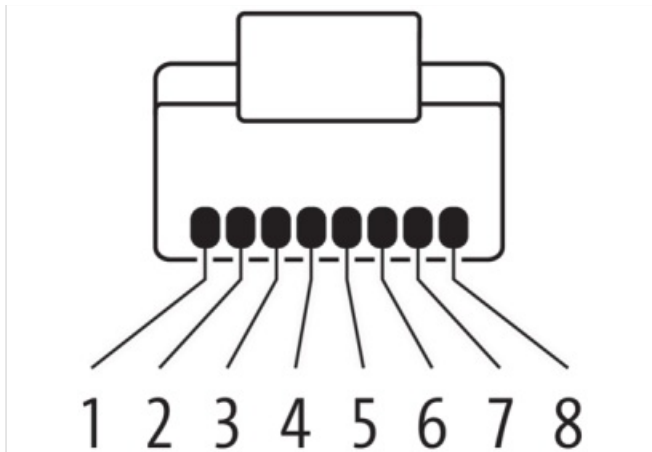
Transmission properties with channel transmission up to 50 m

Plastic housings with good resistance against chemicals and oils.

The resistance to aggressive media should be individually tested for your application. Further details on request.

Further cable lengths on request.

[Link to Product](#)**Illustration**



Product may differ from Image



Header

Material short text	MSXBL0-RA-08D790_5.0-ZS
Cable length	5,00 m

Side 1

Family construction form	M12
No. of poles	8
Coding	X
Gender	female
Mounting method	pluggable, screwed
Threaded hole	M12 x 1
Tightening torque	0,6 Nm
Width across flats	SW13
Cable outlet	straight
Material	PUR
Material contact	Copper alloy
Coating contact	gold plated
Degree of protection (EN IEC 60529)	IP67, IP65

Side 2

Family construction form	RJ45
No. of poles	8
Gender	male
Mounting method	pluggable
Cable outlet	straight
Material	PUR
Degree of protection (EN IEC 60529)	IP20

Commercial data

URL Webshop	https://shop.murrelektronik.com/7000-51151-7900500
GTIN	4065909028476
ECLASS-6.0	27061801
ECLASS-6.1	27060307
ECLASS-7.0	27060307
ECLASS-7.1	27060307
ECLASS-8.0	27060307
ECLASS-8.1	27060307
ECLASS-9.0	27060307
ECLASS-9.1	27060307
ECLASS-10.0.1	27060307
ECLASS-10.1	27060307
ECLASS-11.0	27060307
ECLASS-11.1	27060307
ECLASS-12.0	27060307
ECLASS-13.0	27060307
ECLASS-14.0	27060307
ETIM-5.0	EC002599
ETIM-6.0	EC002599
ETIM-7.0	EC002599
ETIM-8.0	EC002599
customs tariff number	85444290
EAN	4065909028476
Packaging unit	1

Electrical data | Supply

Operating voltage DC max.	60 V
Current operating per contact max.	0,5 A

Industrial Communication

Data transmission rate max.	10 Gbit/s
-----------------------------	-----------

Transfer parameters CAT6A

Diagnostics

Status indication LED No

Device protection | Electrical

Additional condition protection degree in closed state, inserted, screwed

Pollution Degree 3

Rated surge voltage 1 kV

Material group (IEC 60664-1) I

Mechanical data

Contour for corrugated hose without

Mechanical data | Material data

Locking material Zinc die-casting

Locking screw coating Nickerled

Mechanical data | Mounting data

Mounting method inserted, screwed, Shaking protection

Environmental characteristics | Climatic

Operating temperature min. -30 °C

Operating temperature max. 85 °C

Additional condition temperature range depending on cable quality

Important installation notes

Note on bending radius **Attention:** Observe the permissible bending radii when laying cables, as the IP protection class can be endangered by excessive bending forces.

Note on strain relief Protect the connectors by suitable measures from mechanical loads, e.g. by the usage of cable ties.

Conformity

Product standard EN/IEC 61076-2-109 (M12)

Installation | Cable

Cable identification 790

Function cable Data

Amount stranding 4

Stranding 2 wires stranded

Amount stranding (type 2) 1

Stranding (type 2) 4 stranding combinations stranded

Cable shielding (type) copper braid, tinned

Cable shielding (coverage) 65 %

Pair shielding (type) Metal foil

Banding Foil

Cable weight 48 g/m

Material wire insulation PE

Amount wires 8

Outer diameter insulation 1,05 mm

Outer diameter tolerance core insulation - 0,02 mm

Shore hardness wire insulation 65 ± 5 Shore D

Ingredient freeness wire insulation lead-free, CFC-free, halogen-free

Amount strands (wire) 7

Diameter of single wires 34 AWG

Conductor crosssection (wire) 26 AWG

Material conductor wire Stranded copper wire, bare

Outer-diameter (jacket) 6,4 mm

Tolerance outer diameter (sheath) ± 5 %

Material jacket PUR

Shore hardness jacket	89 ± 5 Shore A
Freedom from ingredients (jacket)	lead-free, CFC-free, halogen-free
Conductor resistance (wire)	140 Ω/km @ 20 °C
Electrical capacity line constant (wire - wire)	44.000 pF/km
Isolation resistance	5.000 MΩ × km
Nominal voltage max.	125 V
Withstand voltage (wire - wire)	2 kV @ 60 s
Withstand voltage (wire - jacket)	2 kV @ 60 s
Withstand voltage (wire - shield)	2 kV @ 60 s
Current load capacity (standard)	to DIN VDE 0298-4
Current load capacity max. (wire)	2 A
Operating temperature min. (static)	-40 °C
Operating temperature max. (static)	80 °C
Operating temperature min. (dynamic)	-30 °C
Operating temperature max. (dynamic)	70 °C
Flame resistance	UL 1581 § 1090, UL 1581 § 1100, IEC 60332-1-2
Oil resistance	IEC 60811-404, IRM 902
Ozone resistance	EN 50396
Other resistances	resistant to microbes, MUD-resistant (NEK 606)
Bending radius (fixed)	8 × Outer diameter
Bending radius (dynamic)	10 × Outer diameter