

E1 S6 A 260X260X160 - Junction box



0899020

<https://www.phoenixcontact.com/gb/products/0899020>

Please be informed that the data shown in this PDF document is generated from our online catalog. Please find the complete data in the user documentation. Our general terms of use for downloads are valid.



Junction box, With flange plate fixing, below, material: Stainless steel, 316L/1.4404, surface resistance: brushed, silver-colored, 260 mm x 260 mm x 160 mm, type of locking: Screw-on cover, scope of supply - ATD: Mounting panel, Fixing angle with mounting screws, M12 grounding bolts, affixed externally, Installation notes, Flange plates, Mounting panel

Your advantages

- Innovative product range of high-quality stainless steel housings as the basis for individual terminal boxes
- Reduced assembly and approval effort thanks to ready-equipped terminal boxes
- Flange plates possible on four sides of the housing, including seal protection
- Housing adjustments using threads, bore holes, and rectangular cutouts with consideration given to normative specifications

Commercial data

Item number	0899020
Packing unit	1 pc
Minimum order quantity	1 pc
Sales key	BH9112
Product key	BH9112
GTIN	4046356927789
Weight per piece (including packing)	5.023 kg
Weight per piece (excluding packing)	5.023 kg
Customs tariff number	94032080
Country of origin	DE

E1 S6 A 260X260X160 - Junction box



0899020

<https://www.phoenixcontact.com/gb/products/0899020>

Technical data

Product properties

Scope of supply	Mounting panel
	Fixing angle with mounting screws
	M12 grounding bolts, affixed externally
	Installation notes
	Flange plates

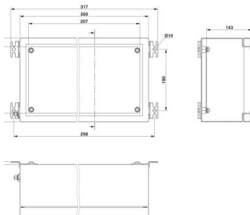
Insulation characteristics

Protection class	I
------------------	---

Electrical properties

Maximum power dissipation	13 W (T6 up to 40 °C)
	8.1 W (T6 up to 55 °C)
	4.8 W (T6 up to 65 °C)
	17.9 W (T5 up to 40 °C)
	13 W (T5 up to 55 °C)
	9.8 W (T5 up to 65 °C)
	21.1 W (T4 up to 40 °C)
	10.2 W (T4 up to 55 °C)
13 W (T4 up to 65 °C)	

Dimensions

Dimensional drawing	
Width	260 mm
Height	260 mm
Depth	160 mm
Clearance width, maximum DIN rail length	204 mm
Max. material thickness	1.5 mm

Material specifications

Color	silver-colored
Material	Stainless steel, 316L/1.4404
Seal material	Silicon
Surface characteristics	brushed
Note	240 grain

E1 S6 A 260X260X160 - Junction box



0899020

<https://www.phoenixcontact.com/gb/products/0899020>

Mechanical properties

General

Type of locking (GRP)

Screw-on cover Allen screws

Environmental and real-life conditions

Degree of protection (IP code)

Degree of protection

IP66

Ambient conditions

Ambient temperature (operation)

-55 °C ... 135 °C

Mounting

Assembly note

External fixing clips

E1 S6 A 260X260X160 - Junction box

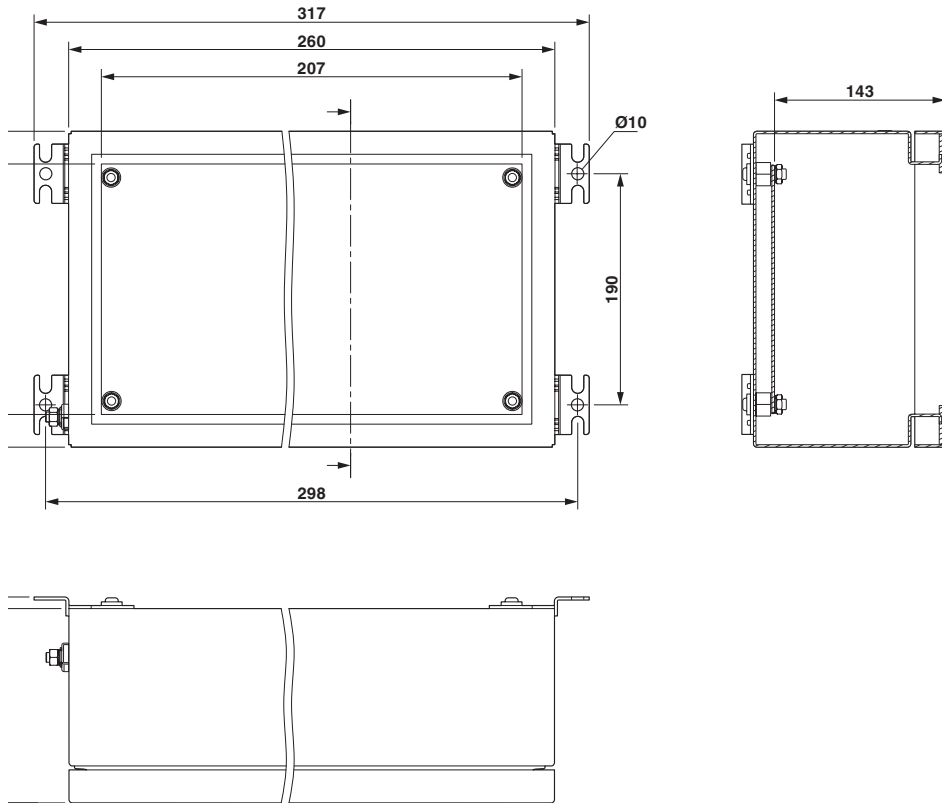


0899020

<https://www.phoenixcontact.com/gb/products/0899020>

Drawings

Dimensional drawing



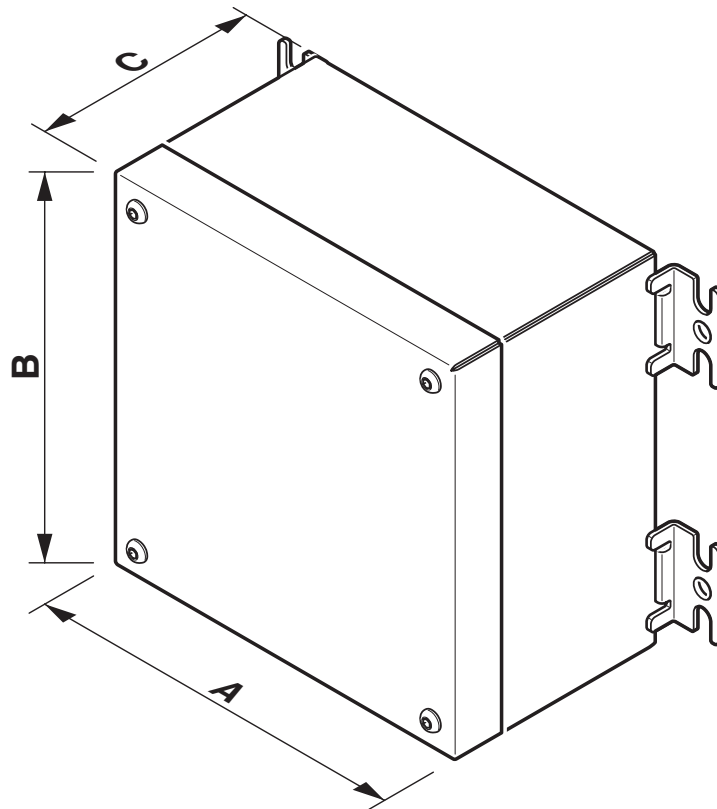
E1 S6 A 260X260X160 - Junction box

0899020

<https://www.phoenixcontact.com/gb/products/0899020>



Schematic diagram



E1 S6 A 260X260X160 - Junction box



0899020

<https://www.phoenixcontact.com/gb/products/0899020>

Approvals

To download certificates, visit the product detail page: <https://www.phoenixcontact.com/gb/products/0899020>



IECEx

Approval ID: IECEx BAS 14.0179U



ATEX

Approval ID: Baseefa14ATEX0393U

E1 S6 A 260X260X160 - Junction box



0899020

<https://www.phoenixcontact.com/gb/products/0899020>

Classifications

UNSPSC

UNSPSC 21.0	31261502
-------------	----------

E1 S6 A 260X260X160 - Junction box



0899020

<https://www.phoenixcontact.com/gb/products/0899020>

Environmental product compliance

EU REACH SVHC

REACH candidate substance (CAS No.)	
-------------------------------------	--

	No substance above 0.1 wt%
--	----------------------------

Phoenix Contact 2026 © - all rights reserved

<https://www.phoenixcontact.com>

PHOENIX CONTACT Ltd

Halesfield 13, Telford

Shropshire, TF7 4PG

01952 681700

info@phoenixcontact.co.uk