

IL MOD BK DI8 DO4-PAC - Bus coupler



2878696

<https://www.phoenixcontact.com/gb/products/2878696>

Please be informed that the data shown in this PDF document is generated from our online catalog. Please find the complete data in the user documentation. Our general terms of use for downloads are valid.



Inline, Bus coupler, Modbus/RTU, D-SUB-9 female connector, Digital inputs: 8, 24 V DC, connection technology: 3-conductor, Digital outputs: 4, 24 V DC, 500 mA, connection technology: 3-conductor, transmission speed in the local bus: 500 kbps / 2 Mbps, degree of protection: IP20, including inline connectors, marking fields, and end plate

Product description

The bus coupler with integrated I/Os is intended for use within a Modbus RTU/ASCII network and represents the link to the Inline I/O system. Up to 61 Inline devices can be connected to the bus coupler. The bus coupler supports a maximum of 8 PCP devices.

Your advantages

- Modbus connection via 9-pos. D-SUB socket
- Electrical isolation between Modbus interface and logic
- 8 digital inputs, 4 digital outputs (on-board)
- Data transmission speed in Modbus of 1.2 kbps to 115.2 kbps (configurable)
- Rotary coding switches for setting the Modbus address and for configuration
- Supported Modbus addresses from 1 to 99
- Automatic detection of the transmission speed in the local bus (500 kbps or 2 Mbps)
- Shipbuilding and UL approvals

Commercial data

Item number	2878696
Packing unit	1 pc
Minimum order quantity	1 pc
Sales key	DRI115
Product key	DRI115
GTIN	4046356099967
Weight per piece (including packing)	320.9 g
Weight per piece (excluding packing)	316 g
Customs tariff number	85176200
Country of origin	DE

IL MOD BK DI8 DO4-PAC - Bus coupler

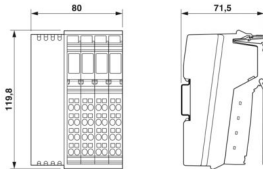


2878696

<https://www.phoenixcontact.com/gb/products/2878696>

Technical data

Dimensions

Dimensional drawing	
Width	80 mm
Height	119.8 mm
Depth	71.5 mm
Note on dimensions	Specifications with connectors

Notes

Note on application	
Note on application	Only for industrial use
Utilization restriction	
CCCEX note	Use in potentially explosive areas is not permitted in China.

Interfaces

Modbus/RTU	
Number of interfaces	1
Connection method	D-SUB-9 female connector
Note on the connection method	Electrically isolated supply, shielding directly connected to functional ground
Transmission speed	1.2 kBit/s ... 115.2 kBit/s (can be parameterized)
Inline local bus	
Number of interfaces	1
Connection method	Inline data jumper
Transmission speed	500 kbps / 2 Mbps (automatic detection, no combined system)

System properties

System limits	
Number of supported devices	max. 63 (per station)
Number of local bus devices that can be connected	max. 61 (The on-board I/Os are two devices)
Number of devices with parameter channel	max. 8
Number of supported branch terminals with remote bus branch	0
Module	
ID code (hex)	none

IL MOD BK DI8 DO4-PAC - Bus coupler



2878696

<https://www.phoenixcontact.com/gb/products/2878696>

Input address area	8 bit
Output address area	4 bit
Register length	16 bit

Input data

Digital:

Input name	Digital inputs
Description of the input	EN 61131-2 type 1
Number of inputs	8
Connection method	Inline connector
Connection technology	3-conductor
Input voltage	24 V DC
Input voltage range "0" signal	-30 V DC ... 5 V DC
Input voltage range "1" signal	15 V DC ... 30 V DC
Nominal input voltage U_{IN}	24 V DC
Nominal input current at U_{IN}	typ. 3 mA
Typical input current per channel	typ. 3 mA
Typical response time	approx. 500 μ s
Delay at signal change from 0 to 1	1.2 ms
Delay at signal change from 1 to 0	1.2 ms

Output data

Digital:

Output name	Digital outputs
Connection method	Inline connector
Connection technology	3-conductor
Number of outputs	4
Protective circuit	Short-circuit and overload protection; Freewheeling circuit in the output driver
Output voltage	24 V DC -1 V (At nominal current)
Maximum output current per module	max. 2 A
Nominal output voltage	24 V DC
Output current when switched off	max. 10 μ A (When not loaded, a voltage can be measured even at an output that is not set.)
Nominal load, inductive	12 VA (1.2 H, 48 Ω)
Nominal load, lamp	12 W
Nominal load, ohmic	12 W
Reverse voltage resistance to short pulses	Reverse voltage proof
Behavior with overload	Auto restart
Behavior with inductive overload	Output can be destroyed
Behavior at voltage switch-off	The output follows the power supply without delay
Signal delay	typ. 1.2 ms
Overcurrent shut-down	min. 0.7 A

Product properties

Product family	Inline
Type	modular
Scope of supply	including inline connectors, marking fields, and end plate
No. of channels	12
Diagnostics messages	Short-circuit or overload of the digital outputs yes
	Sensor supply failure yes
	Failure of the actuator supply yes

Insulation characteristics

Overvoltage category	II (IEC 60664-1, EN 60664-1)
Pollution degree	2 (IEC 60664-1, EN 60664-1)

Electrical properties

Maximum power dissipation for nominal condition	5.3 W
---	-------

Potentials: Bus coupler supply U_{BK} ; Communications power U_L (7.5 V) and the analog supply U_{ANA} (24 V) are generated from the bus coupler supply.

Supply voltage	24 V DC (via Inline connector)
Supply voltage range	19.2 V DC ... 30 V DC (including all tolerances, including ripple)
Current draw	max. 0.94 A (with max. number of connected I/O terminal blocks)
	typ. 40 mA (without connected I/O terminal blocks)

Potentials: Communications power (U_L)

Supply voltage	7.5 V DC
----------------	----------

Potentials: Supply of analog modules (U_{ANA})

Supply voltage	24 V DC
Supply voltage range	19.2 V DC ... 30 V DC (including all tolerances, including ripple)

Potentials: Main circuit supply (U_M)

Supply voltage	24 V DC (via Inline connector)
Supply voltage range	19.2 V DC ... 30 V DC (including all tolerances, including ripple)
Current draw	max. 8 A DC
	min. 3 mA (without connected peripherals)

Potentials: Segment circuit supply (U_S)

Supply voltage	24 V DC (via Inline connector)
Supply voltage range	19.2 V DC ... 30 V DC (including all tolerances, including ripple)
Current draw	max. 8 A DC
	min. 3 mA (without connected peripherals)

Electrical isolation/isolation of the voltage ranges

Test voltage: Modbus interface 1 / Modbus interface 2	500 V AC, 50 Hz, 1 min
Test voltage: Modbus interface 1 / communications power (U_{BK} , U_L , U_{ANA})	500 V AC, 50 Hz, 1 min
Test voltage: Modbus interface 1 / I/O (U_M , U_S)	500 V AC, 50 Hz, 1 min

IL MOD BK DI8 DO4-PAC - Bus coupler



2878696

<https://www.phoenixcontact.com/gb/products/2878696>

Test voltage: Modbus interface 1 / functional ground	500 V AC, 50 Hz, 1 min
Test voltage: Modbus interface 2 / communications power (U_{BK} , U_L , U_{ANA})	500 V AC, 50 Hz, 1 min
Test voltage: Modbus interface 2 / I/O (U_M , U_S)	500 V AC, 50 Hz, 1 min
Test voltage: Modbus interface 2 / functional ground	500 V AC, 50 Hz, 1 min
Test voltage: Communications power (U_{BK} , U_L , U_{ANA}) / I/O (U_M , U_S)	500 V AC, 50 Hz, 1 min
Test voltage: Communications power (U_{BK} , U_L , U_{ANA}) / functional ground	500 V AC, 50 Hz, 1 min
Test voltage: I/O (U_M , U_S) / functional ground	500 V AC, 50 Hz, 1 min

Connection data

Connection technology

Connection name	Inline connector
-----------------	------------------

Conductor connection

Connection method	Spring-cage connection
Conductor cross-section rigid	0.08 mm ² ... 1.5 mm ²
Conductor cross-section flexible	0.08 mm ² ... 1.5 mm ²
Conductor cross-section AWG	28 ... 16
Stripping length	8 mm

Inline connector

Connection method	Spring-cage connection
Conductor cross-section, rigid	0.08 mm ² ... 1.5 mm ²
Conductor cross-section, flexible	0.08 mm ² ... 1.5 mm ²
Conductor cross-section AWG	28 ... 16
Stripping length	8 mm

Environmental and real-life conditions

Ambient conditions

Ambient temperature (operation)	-25 °C ... 60 °C
Degree of protection	IP20
Air pressure (operation)	70 kPa ... 106 kPa (up to 3000 m above sea level)
Air pressure (storage/transport)	70 kPa ... 106 kPa (up to 3000 m above sea level)
Ambient temperature (storage/transport)	-40 °C ... 85 °C
Permissible humidity (operation)	10 % ... 95 % (non-condensing)
Permissible humidity (storage/transport)	10 % ... 95 % (non-condensing)

Standards and regulations

Protection class	III (IEC 61140, EN 61140, VDE 0140-1)
------------------	---------------------------------------

Mounting

Mounting type	DIN rail mounting
---------------	-------------------

IL MOD BK DI8 DO4-PAC - Bus coupler

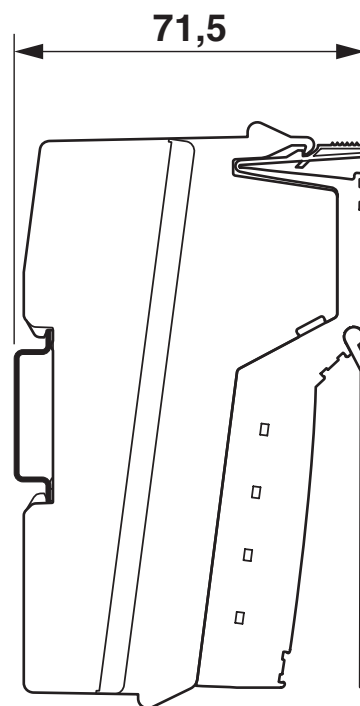
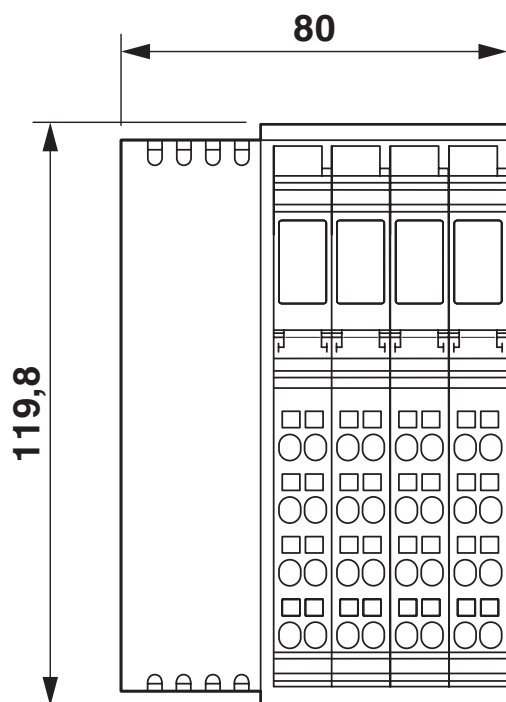
2878696

<https://www.phoenixcontact.com/gb/products/2878696>



Drawings

Dimensional drawing

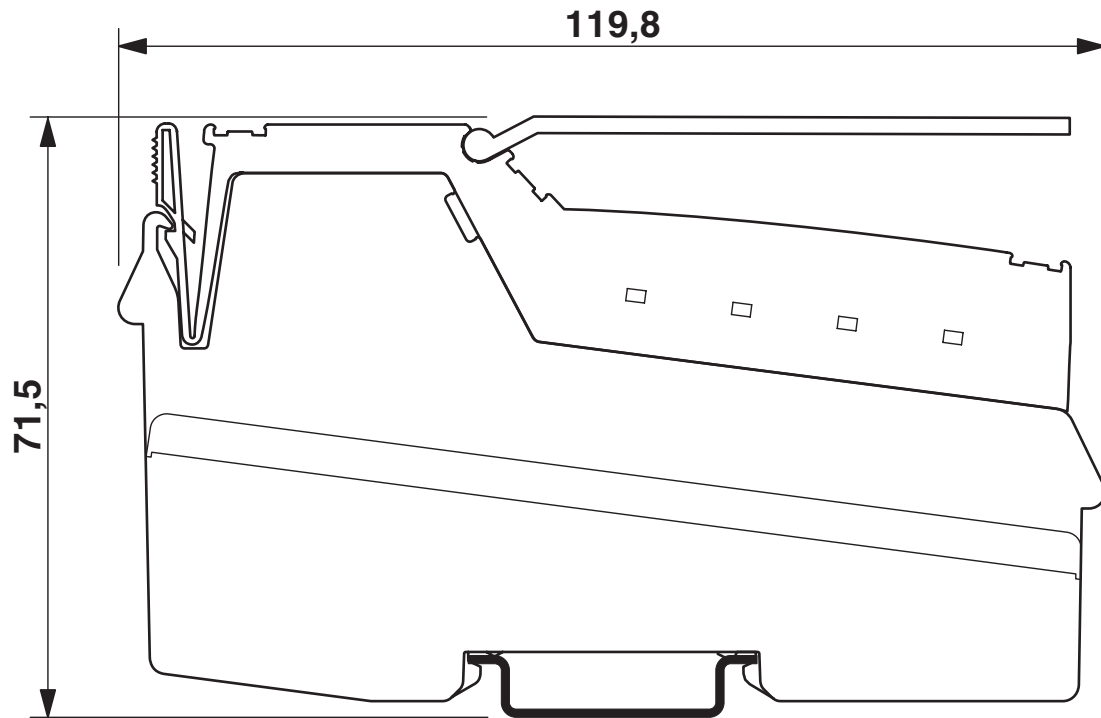


IL MOD BK DI8 DO4-PAC - Bus coupler

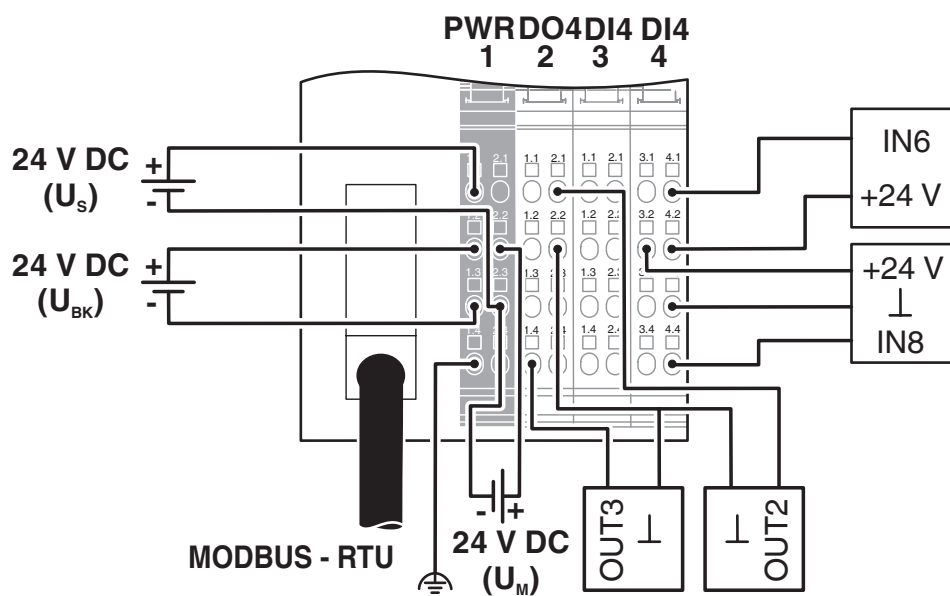
2878696

<https://www.phoenixcontact.com/gb/products/2878696>

Dimensional drawing



Connection diagram

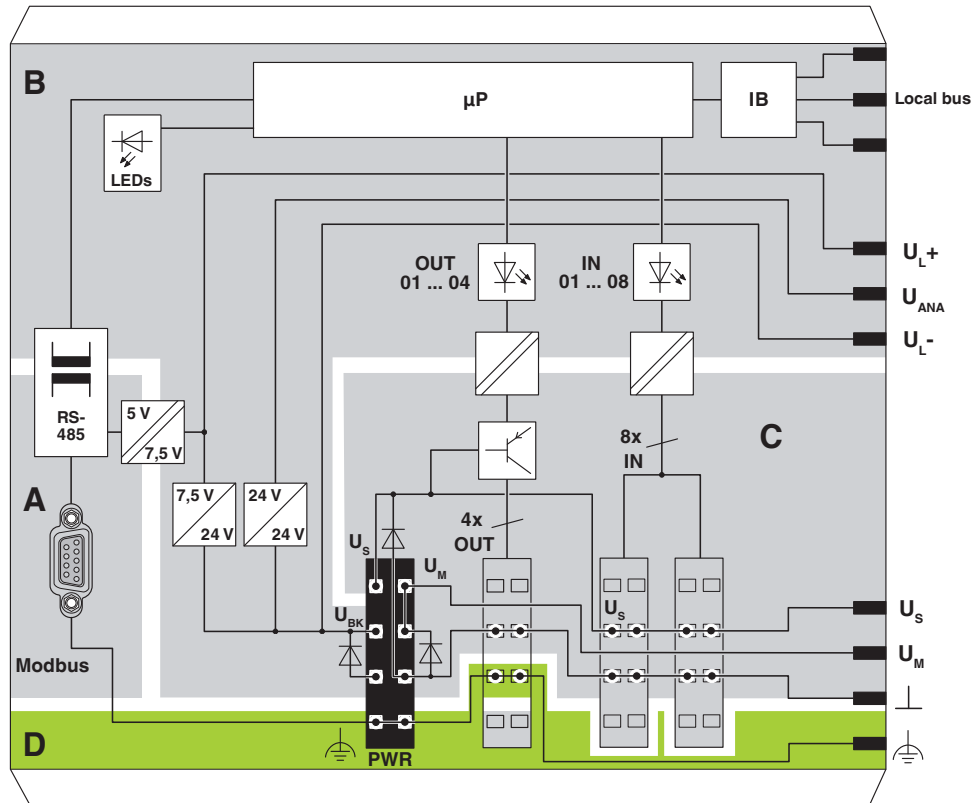


IL MOD BK DI8 DO4-PAC - Bus coupler

2878696

<https://www.phoenixcontact.com/gb/products/2878696>

Block diagram



IL MOD BK DI8 DO4-PAC - Bus coupler



2878696

<https://www.phoenixcontact.com/gb/products/2878696>

Approvals

To download certificates, visit the product detail page: <https://www.phoenixcontact.com/gb/products/2878696>



EAC

Approval ID: TR TS_S_03508-21



DNV GL

Approval ID: TAA00001KV



BV

Approval ID: 21595/C1 BV

ABS

Approval ID: 22-2226444-PDA



cULus Recognized

Approval ID: E140324



LR

Approval ID: LR23398855TA

IL MOD BK DI8 DO4-PAC - Bus coupler



2878696

<https://www.phoenixcontact.com/gb/products/2878696>

Classifications

ECLASS

ECLASS-13.0	27242608
ECLASS-15.0	27242608

ETIM

ETIM 10.0	EC001604
-----------	----------

UNSPSC

UNSPSC 21.0	32151600
-------------	----------

IL MOD BK DI8 DO4-PAC - Bus coupler



2878696

<https://www.phoenixcontact.com/gb/products/2878696>

Environmental product compliance

EU RoHS

Fulfills EU RoHS substance requirements	Yes
Exemption	6(a), 6(a)-I, 7(a), 7(c)-I

China RoHS

Environment friendly use period (EFUP)	EFUP-25
	An article-related China RoHS declaration table can be found in the download area for the respective article under "Manufacturer declaration". For all articles with EFUP-E, no China RoHS declaration table issued and required.

EU REACH SVHC

REACH candidate substance (CAS No.)	Lead(CAS: 7439-92-1)
SCIP	99be8347-3394-49c1-991a-588921249ef6

Phoenix Contact 2026 © - all rights reserved

<https://www.phoenixcontact.com>

PHOENIX CONTACT Ltd
Halesfield 13, Telford
Shropshire, TF7 4PG
01952 681700
info@phoenixcontact.co.uk