

UPS-BAT/LI/24DC/284WH - Battery module

1460923

<https://www.phoenixcontact.com/gb/products/1460923>

Please be informed that the data shown in this PDF document is generated from our online catalog. Please find the complete data in the user documentation. Our general terms of use for downloads are valid.



Battery module (device with battery), Lithium-Ion (LiFePO₄), 24 V DC, 284 Wh. 3 x 1532141 are required as replacement batteries.

Product description

For continuous monitoring and intelligent management, there is constant communication with the QUINT UPS. Thanks to automatic detection of the battery module and tool-free switching during operation, quick installation is possible. The battery modules for QUINT UPS with IQ Technology are optimally charged before being sent to our warehouse.

Commercial data

Item number	1460923
Packing unit	1 pc
Minimum order quantity	1 pc
Sales key	CMUEL3
Product key	CMUEL3
GTIN	4063151852061
Weight per piece (including packing)	5,078 g
Weight per piece (excluding packing)	4,608 g
Country of origin	Country of origin will be provided upon delivery.

UPS-BAT/LI/24DC/284WH - Battery module



1460923

<https://www.phoenixcontact.com/gb/products/1460923>

Technical data

Energy storage

Input

Input voltage	24 V DC
Nominal capacity	284 Wh (3x 94.72 Wh) 11.1 Ah
Charging current	15 A
End-of-charge voltage	28.4 V DC (20 °C)

Output

Output current	max. 45 A (Derating: -20 °C ... 0 °C, 40 A; 50 °C ... 60 °C, 35 A)
Output fuse	1x 50 A MAXI Blade Fuse (≥ 24 V DC)
Buffer time	30 min (20 A)

General

Connection in parallel	yes max. 5
Battery type	Grepow, 3x 25.6 V GRP8056117-8S1P-A
Battery technology	Lithium-Ion (LiFePO ₄)
IQ-Technology	yes
Latest startup date (battery only)	6 Months (-20 °C ... 35 °C) 1 Months (-30 °C ... 65 °C)
Accumulator module service life (according to Eurobat)	10 (20 °C)
Size designation	Block
Temperature sensor	yes
Number of replacement battery kits	3x (UPS-BAT-KIT/LI/24DC/94WH (1532141))

Connection data

Battery

Position	4.x
----------	-----

Connection technology

Position marking	4.1 (+), 4.2 (-)
------------------	------------------

Conductor connection

Connection method	Screw connection
rigid	2.5 mm ² ... 16 mm ² (recommended, 25 A fuse) 4 mm ² ... 16 mm ² (recommended, 50 A fuse)
flexible	2.5 mm ² ... 16 mm ² (recommended, 25 A fuse) 4 mm ² ... 16 mm ² (recommended, 50 A fuse)
flexible with ferrule without plastic sleeve	2.5 mm ² ... 16 mm ² (recommended, 25 A fuse) 4 mm ² ... 16 mm ² (recommended, 50 A fuse)
flexible with ferrule with plastic sleeve	2.5 mm ² ... 16 mm ² (recommended, 25 A fuse)

UPS-BAT/LI/24DC/284WH - Battery module



1460923

<https://www.phoenixcontact.com/gb/products/1460923>

	4 mm ² ... 16 mm ² (recommended, 50 A fuse)
AWG	14 ... 6 (recommended, 25 A fuse)
	10 ... 6 (recommended, 50 A fuse)
Stripping length	10 mm (recommended, 25 A fuse)
	10 mm (recommended, 50 A fuse)
Tightening torque	1.2 Nm ... 1.5 Nm
	15 lb _F -in.
Drive form screw head	Slotted L

LIN

Position	4.x
----------	-----

Connection technology

Position marking	4.3 (┘┘ IEC 80)
------------------	-----------------

Conductor connection

Connection method	Screw connection
rigid	0.75 mm ² ... 16 mm ² (LIN)
flexible	0.75 mm ² ... 16 mm ² (LIN)
flexible with ferrule without plastic sleeve	0.75 mm ² ... 16 mm ² (LIN)
flexible with ferrule with plastic sleeve	0.75 mm ² ... 16 mm ² (LIN)
AWG	20 ... 6
Stripping length	10 mm (LIN)
Tightening torque	1.2 Nm ... 1.5 Nm
Drive form screw head	Slotted L

Product properties

Product family	Battery module (device with battery)
Application	for QUINT4-UPS
Disposal	Used batteries must not be thrown away with household waste, they should instead be disposed of in accordance with applicable national regulations.

Insulation characteristics

Protection class	III
Degree of pollution	2

Dimensions

Item dimensions

Width	199 mm
Height	197 mm
Depth	119 mm

Drill hole

Diameter	5 mm
----------	------

Installation dimensions

UPS-BAT/LI/24DC/284WH - Battery module



1460923

<https://www.phoenixcontact.com/gb/products/1460923>

Installation distance right/left	0 mm / 0 mm
Installation distance top/bottom	5 mm / 5 mm

Environmental and real-life conditions

Ambient conditions

Degree of protection	IP20
Ambient temperature (storage/transport)	-30 °C ... 65 °C -20 °C ... 35 °C (recommended)
Ambient temperature (charge)	-10 °C ... 55 °C (0 °C ... 55 °C, UPS V/C Level)
Ambient temperature (discharge)	-20 °C ... 60 °C
Maximum altitude	max. 2000 m
Max. permissible relative humidity (operation)	≤ 95 %
Shock	15g, 11 ms, half sine (IEC 60068-2-27)
Vibration (operation)	0,7g (DNV-GL / IEC 60068-2-6)

Ex data

Suited for EX-applications	no
----------------------------	----

UPS-BAT/LI/24DC/284WH - Battery module

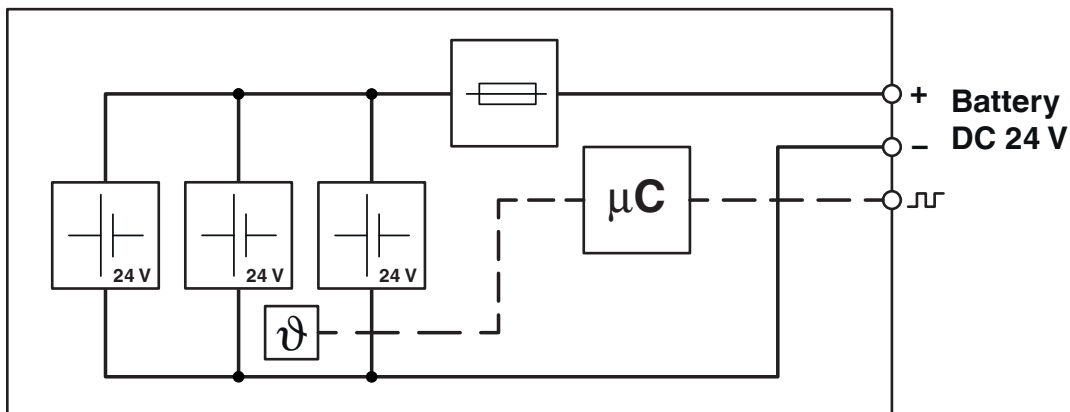


1460923

<https://www.phoenixcontact.com/gb/products/1460923>

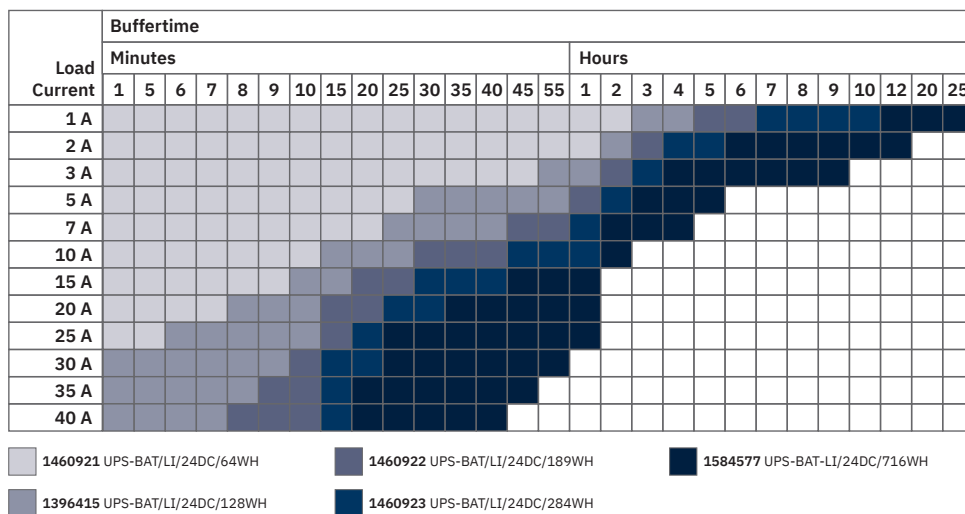
Drawings

Block diagram



Block diagram

Graphic



Lithium battery buffer times for QUINT DC UPS

UPS-BAT/LI/24DC/284WH - Battery module



1460923

<https://www.phoenixcontact.com/gb/products/1460923>

Approvals

To download certificates, visit the product detail page: <https://www.phoenixcontact.com/gb/products/1460923>



IECEE CB Scheme
Approval ID: SI-10466 A1



cULus Listed
Approval ID: E123528-20230517

DNV

Approval ID: TAA0000265

	Nominal voltage U_N	Nominal current I_N	Cross section AWG	Cross section mm^2
keine				
	500 V	41 A	-	- 6



cULus Listed
Approval ID: E199827-20230523

UPS-BAT/LI/24DC/284WH - Battery module



1460923

<https://www.phoenixcontact.com/gb/products/1460923>

Classifications

ECLASS

ECLASS-13.0	27050403
ECLASS-15.0	27050403

ETIM

ETIM 10.0	EC003893
-----------	----------

UNSPSC

UNSPSC 21.0	26111700
-------------	----------

UPS-BAT/LI/24DC/284WH - Battery module



1460923

<https://www.phoenixcontact.com/gb/products/1460923>

Environmental product compliance

EU RoHS

Fulfills EU RoHS substance requirements	Yes
Exemption	7(c)-I

China RoHS

Environment friendly use period (EFUP)	EFUP-25
	An article-related China RoHS declaration table can be found in the download area for the respective article under "Manufacturer declaration". For all articles with EFUP-E, no China RoHS declaration table issued and required.

EU REACH SVHC

REACH candidate substance (CAS No.)	Lead(CAS: 7439-92-1)
-------------------------------------	----------------------

Phoenix Contact 2026 © - all rights reserved
<https://www.phoenixcontact.com>

PHOENIX CONTACT Ltd
Halesfield 13, Telford
Shropshire, TF7 4PG
01952 681700
info@phoenixcontact.co.uk