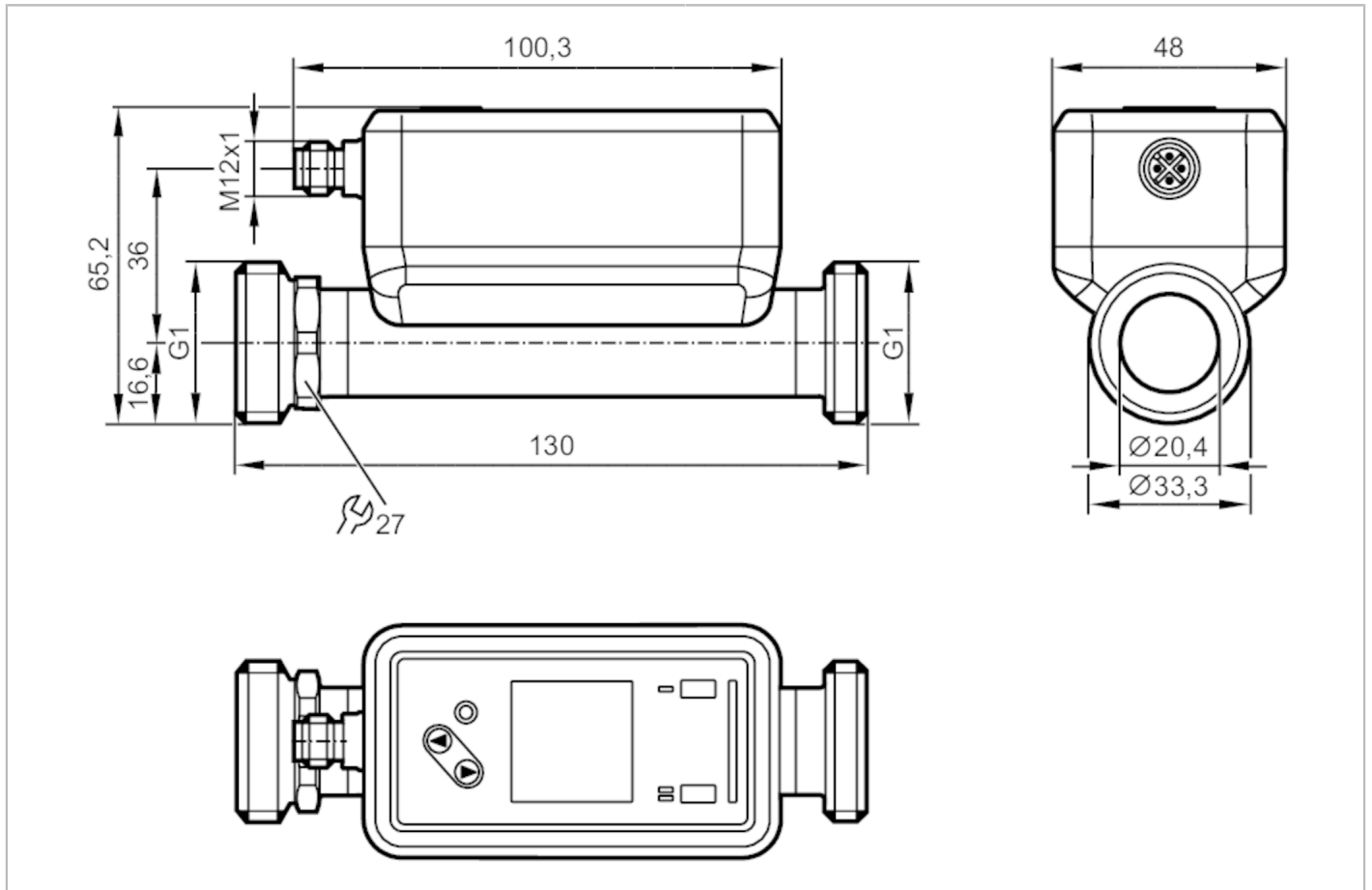


# SU8020



## Ultrasonic flow meter

SUR11XFBFRKG/US



ACS CE PA CRN cUL<sup>us</sup> LISTED IO-Link KTW/W270 NSF Reg31

Product characteristics	
Measuring range	1...240 l/min      60...14400 l/h      0.051...12.202 m/s      0.06...14.4 m³/h
Process connection	threaded connection G 1 external thread DN25
Application	
Special feature	Gold-plated contacts
Media	ultra-pure water; water; hydrous media
Note on media	hydrous media: for media with >10 % additives, the repeatability is the only available value
Medium temperature [°C]	-20...100
Min. burst pressure	150 bar      15 MPa
Pressure rating	100 bar      10 MPa
Vacuum resistance [mbar]	-1000
MAWP for applications according to CRN	82.8 bar      8.28 MPa
Electrical data	
Operating voltage [V]	18...32 DC; (to SELV/PELV)
Current consumption [mA]	< 75
Protection class	III
Reverse polarity protection	yes
Power-on delay time [s]	5
Measuring principle	ultrasonic



## Ultrasonic flow meter

SUR11XFBFRKG/US

Inputs				
Inputs	counter reset			
Outputs				
Total number of outputs	2			
Output signal	switching signal; pulse signal; analogue signal; IO-Link; frequency signal; diagnostic signal; totaliser switching signal			
Electrical design	PNP/NPN			
Output function	normally open / normally closed; (parameterisable)			
Max. voltage drop switching output DC [V]	2			
Permanent current rating of switching output DC [mA]	100			
Switching frequency DC [Hz]	0...10000			
Analogue current output [mA]	4...20			
Max. load [Ω]	500			
Pulse output	flow rate meter			
Short-circuit protection	yes			
Type of short-circuit protection	pulsed			
Overload protection	yes			
Measuring/setting range				
Measuring range	1...240 l/min	60...14400 l/h	0.051...12.202 m/s	0.06...14.4 m³/h
Display range	-288...288 l/min	-17280...17280 l/h	-14.642...14.642 m/s	-17.28...17.28 m³/h
Resolution	0.1 l/min	1 l/h	0.001 m/s	0.002 m³/h
Set point SP	2.3...240 l/min	139...14400 l/h	0.118...12.202 m/s	0.139...14.4 m³/h
Reset point rP	1.1...238.8 l/min	64...14325 l/h	0.055...12.139 m/s	0.064...14.325 m³/h
Analogue start point ASP	-240...192 l/min	-14400...11522 l/h	-12.202...9.763 m/s	-14.4...11.522 m³/h
Analogue end point AEP	-192...240 l/min	-11522...14400 l/h	-9.763...12.202 m/s	-11.522...14.4 m³/h
Low flow cut-off LFC	1...12 l/min	60...720 l/h	0.051...0.61 m/s	0.06...0.72 m³/h
Frequency end point, FEP	48.1...240 l/min	2889...14400 l/h	2.448...12.202 m/s	2.89...14.4 m³/h
Frequency at the end point FRP [Hz]	1...10000			
Volumetric flow quantity monitoring				
Pulse length [s]	0.002...2			
Pulse value	0.02...99990000 l			
Temperature monitoring				
Measuring range [°C]	-20...100			
Display range [°C]	-44...124			
Resolution [°C]	0.1			
Set point SP [°C]	-19.6...100			
Reset point rP [°C]	-20...99.6			
Analogue start point [°C]	-20...76			
Analogue end point [°C]	4...100			
Frequency start point, FSP [°C]	-20...76			
Frequency end point, FEP [°C]	4...100			



## Ultrasonic flow meter

SUR11XFBFRKG/US

Frequency at the end point FRP	[Hz]	1...10000
--------------------------------	------	-----------

### Accuracy / deviations

Flow monitoring		
Accuracy (in the measuring range)		$\pm (1,0 \% MW + 0,5 \% MEW)$
Repeatability		$\pm 0,2 \% MEW$
Temperature monitoring		
Accuracy	[K]	$\pm 2,5 (Q > 5 \% MEW)$
Temperature coefficient	[% of the span / 10 K]	0,2

### Response times

Flow monitoring		
Response time	[s]	$< 0,25; (dAP = 0, T09)$
Damping process value dAP	[s]	0...5
Temperature monitoring		
Dynamic response T05 / T09	[s]	5,7 / 86

### Software / programming

Diagnostic functions		direction of flow detection; signal quality
----------------------	--	---

### Interfaces

Communication interface		IO-Link
Transmission type		COM2 (38,4 kBaud)
IO-Link revision		1.1.3
SDCI standard		IEC 61131-9: 2013-07
Profiles	BLOB	Binary Large Object transfer
	Common - I&D	Identification and Diagnosis
Required master port type		A
Process data analogue		3
Process data binary		2
Min. process cycle time	[ms]	9,6
IO-Link process data (cyclical)	<b>function</b>	<b>bit length</b>
	totaliser	32
	Flow monitoring	32
	Temperature monitoring	32
	status	4
	Output 1	1
	Output 2	1
	Supported DeviceIDs	<b>Type of operation</b>
default		1460

### Operating conditions

Ambient temperature	[°C]	-20...60
Storage temperature	[°C]	-25...80
Protection		IP 65; IP 67

### Tests / approvals

EMC	DIN 61326-1:2021	
-----	------------------	--

# SU8020



## Ultrasonic flow meter

SUR11XFBFRKG/US

CPA approval	model number	002US
	accuracy class	1,5
Shock resistance	DIN IEC 68-2-27	20 g (11ms)
Vibration resistance	DIN IEC 68-2-6	20 g (10...2000Hz)
MTTF [years]		160
UL approval	UL approval no.	I034
	File number UL	E174189
Pressure Equipment Directive	can be used for group 2 fluids; group 1 fluids on request	

### Mechanical data

Weight [g]	542.95
Housing	rectangular
Type of mounting	inlet pipe length 5xDN; outlet pipe length 1xDN
Dimensions [mm]	130 x 48 x 65.2
Materials	housing: stainless steel (316L/1.4404); Display: PFA; Sealing Display: FKM; connector: PBT
Materials (wetted parts)	Pipe section: stainless steel (316L/1.4404); Process connection sealing: NBR reinforced fibre Flat seal
Process connection	threaded connection G 1 external thread DN25
Surface characteristics Ra/Rz of the wetted parts	Ra < 1.25 µm

### Displays / operating elements

Display	colour display 1,44", 128 x 128 pixels
Switching function	2 x LED, yellow
diagnosis	1 x LED, three-colour

### Accessories

Items supplied	Flat seal 2, Centellen package insert
----------------	--

### Remarks

Remarks	MW = measured value MEW = Final value of the measuring range pulse and totaliser signal are only available for one of the two outputs the accuracy indications are adhered to over the entire application area
Pack quantity	1 pcs.

### Electrical connection

Connector: 1 x M12; coding: A; Contacts: gold-plated





## Ultrasonic flow meter

SUR11XFBFRKG/US

### Connection



OUT1/IO-Link: switching output volumetric flow quantity monitoring  
 switching output Temperature monitoring  
 Pulse output quantity meter  
 frequency output volumetric flow quantity monitoring  
 frequency output Temperature monitoring  
 signal output Preset counter

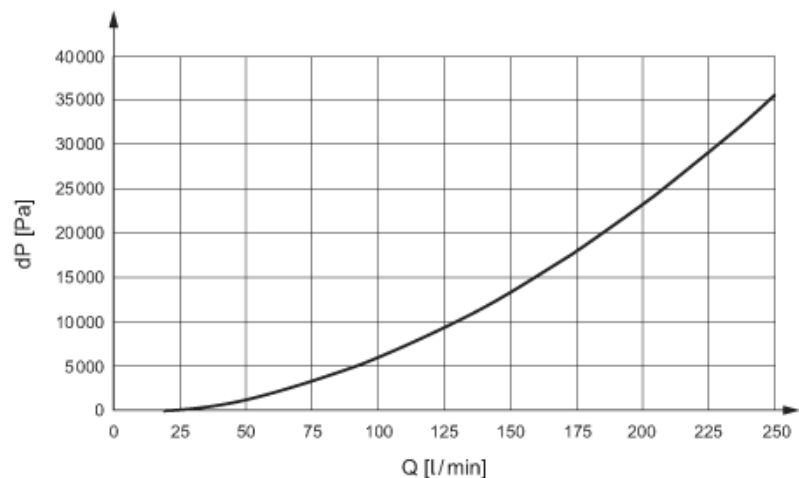
OUT2/InD: switching output volumetric flow quantity monitoring  
 switching output Temperature monitoring  
 Pulse output quantity meter  
 analogue output flow  
 analogue output temperature  
 signal output Preset counter  
 input counter reset

colours to DIN EN 60947-5-2

Core colours      BK= black  
                       BN= brown  
                       BU= blue  
                       WH= white

### Diagrams and graphs

Note on pressure loss



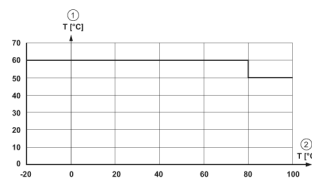
# SU8020

## Ultrasonic flow meter

SUR11XFBFRKG/US



derating ambient temperature



- 1 Ambient temperature
- 2 Medium temperature