

**EXACT8, 8XM8, 3 POLE PRE-WIRED CABLE**

5.0m PUR/PVC 8\*0,34+2\*0,75

Art.No.: 8000-88010-3570500

Weight: 0,688 kg

Country of origin: DE

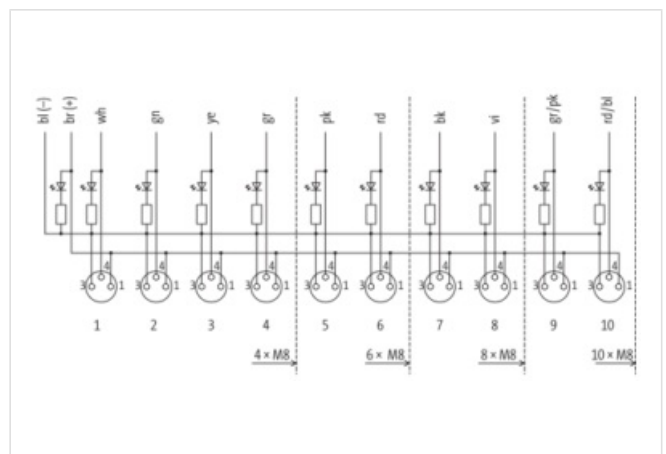
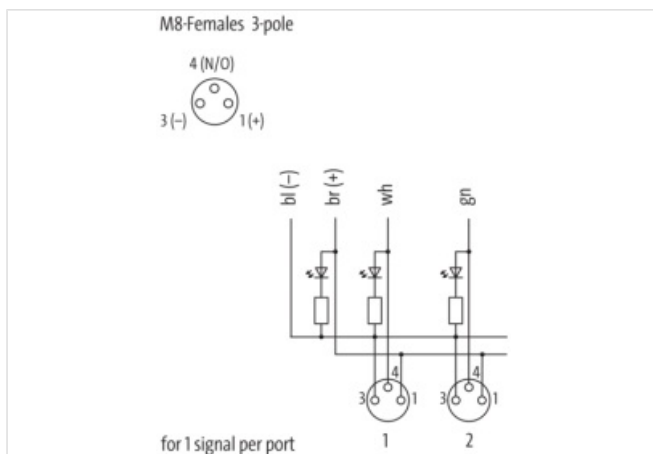
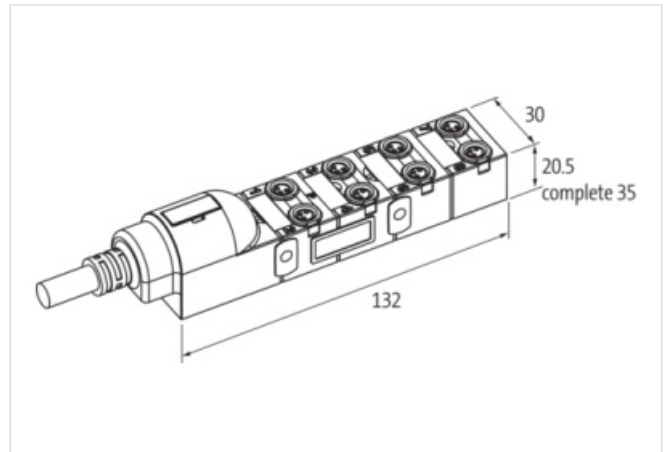
Model designation: MVP8N-AN8D357 5.0M

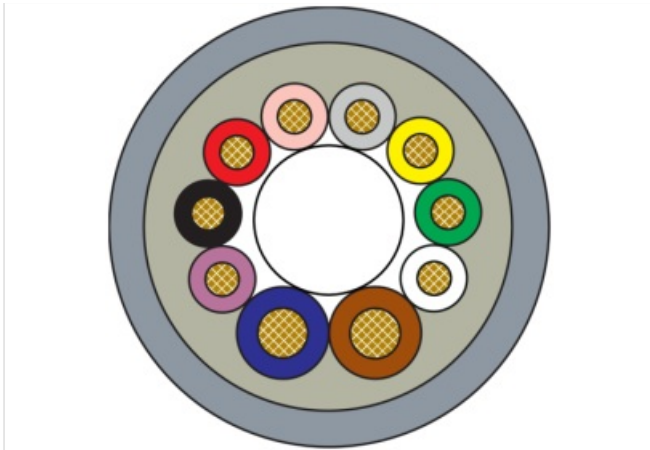
8-way, 3-pole

Further cable lengths on request.

Plastic housings with good resistance against chemicals and oils.

The resistance to aggressive media should be individually tested for your application. Further details on request.

[Link to Product](#)**Illustration**



Product may differ from Image

**Header**

Material short text MVP8N-AN8D357 5.0M

**Commercial data**

URL Webshop	<a href="https://shop.murrelektronik.com/8000-88010-3570500">https://shop.murrelektronik.com/8000-88010-3570500</a>
GTIN	4048879054775
ECLASS-6.0	27143423
ECLASS-6.1	27279219
ECLASS-7.0	27279219
ECLASS-7.1	27279219
ECLASS-8.0	27279219
ECLASS-8.1	27279219
ECLASS-9.0	27440108
ECLASS-9.1	27440108
ECLASS-10.0.1	27440108
ECLASS-10.1	27440108
ECLASS-11.0	27440108
ECLASS-11.1	27440108
ECLASS-12.0	27440108
ECLASS-13.0	27440108
ECLASS-14.0	27440108
ETIM-5.0	EC002585
ETIM-6.0	EC002585
ETIM-7.0	EC002585
ETIM-8.0	EC002585
customs tariff number	85444290
EAN	4048879054775
Packaging unit	1

**Electrical data | Supply**

Operating voltage DC	24 V
Current operating per contact max.	2 A
Total current max.	8 A

**Industrial Communication**

Number of signals per port 1

#### Installation | Connection

Mounting set M8 x 1

#### Device protection | Electrical

Degree of protection (EN IEC 60529) IP67, IP65

#### Device protection | Media

Flame resistance flame retardant

#### Mechanical data | Material data

Material housing Plastic

#### Mechanical data | Mounting data

Mounting method Schraubgewinde

#### Environmental characteristics | Climatic

Operating temperature min. -20 °C

Operating temperature max. 80 °C

Additional condition temperature range depending on cable quality

#### Installation | Cable

Cable identification 357

Cable Type 2

Function cable Hybrid, Signal, Power

Stranding 1 × 10 wires around core filler twisted

Filler Yes

Wire arrangement black, red, pink, gray, yellow, green, white, brown, blue, violet

Cable weight 105 g/m

Material wire insulation PVC

Amount wires 8

Outer diameter insulation 1,3 mm

Outer diameter tolerance core insulation ± 0,1 mm

Shore hardness wire insulation 43 ± 5 Shore D

Material properties wire insulation good machinability

Ingredient freeness wire insulation lead-free, cadmium-free, CFC-free, silicone-free

Amount strands (wire) 19

Diameter of single wires 0,15 mm

Conductor crosssection (wire) 0,34 mm<sup>2</sup>

Material conductor wire Stranded copper wire, bare

Conductor type (wire) Strand class 5

Material wire insulation (type 2) PVC

Outer diameter wire insulation (type 2) 1,8 mm

Tolerance outer diameter wire insulation (type 2) ± 0,1 mm

Shore hardness wire insulation (type 2) 43 ± 5 Shore D

Material properties wire insulation (type 2) good machinability

Ingredient freeness wire insulation (type 2) lead-free, cadmium-free, CFC-free, silicone-free

Amount wires (type 2) 2

Amount strands wire (type 2) 24

Diameter of single wires (type 2) 0,2 mm

Conductor crosssection wire (type 2) 0,75 mm<sup>2</sup>

Material conductor wire (type 2) Stranded copper wire, bare

Wire conductor type (type 2) Strand class 5

Electrical function wire (type 2) Power

Outer-diameter (jacket) 8,6 mm

Tolerance outer diameter (sheath) ± 5 %

Material jacket PUR

Shore hardness jacket	87 ± 5 Shore A
Freedom from ingredients (jacket)	lead-free, cadmium-free, CFC-free, silicone-free
Material property (jacket)	abrasion-resistant, low adhesion, good machinability, matte
Material inner jacket	PVC
Color (inner jacket)	gray
Conductor resistance (wire)	57 Ω/km @ 20 °C
Conductor resistance (wire type 2)	26 Ω/km @ 20 °C
Max. rated voltage (conductor - ground)	300 V
Max. rated voltage (conductor - conductor)	300 V
Withstand voltage (wire - wire)	2 kV @ 60 s
Withstand voltage (wire - jacket)	2 kV @ 60 s
Current load capacity (standard)	to DIN VDE 0298-4
Current load capacity max. (wire)	4 A
Current load capacity max. Wire (type 2)	12 A
Operating temperature min. (static)	-30 °C
Operating temperature max. (static)	80 °C
Operating temperature min. (dynamic)	-5 °C
Operating temperature max. (dynamic)	70 °C
Operating temperature min. (drag chain)	-5 °C
Operating temperature max. (drag chain)	60 °C
Flame resistance	UL 1581 § 1090, CSA FT2, IEC 60332-2-2
Oil resistance	IEC 60811-404
Chemical resistance	good
Other resistances	good resistance to gasoline, resistant to hydrolysis, resistant to microbes
Bending radius (fixed)	5 × Outer diameter
Bending radius (dynamic)	10 × Outer diameter
No. of bending cycles (C-track)	2 Mio. @ 25 °C
Traversing distance (C-track)	5 m @ 25 °C
Travel speed (C-track)	2 m/s @ 25 °C
Acceleration (C-track)	10 m/s <sup>2</sup> @ 25 °C