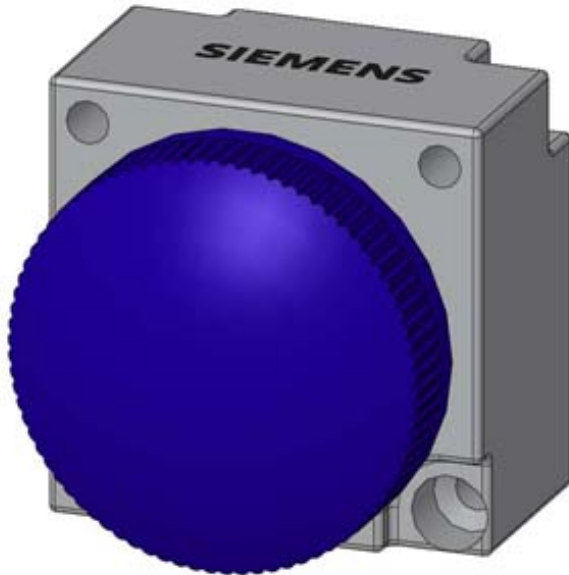


INDICATOR LIGHT, 22MM, ROUND, METAL, BLUE, LENS WITH CONCENTRIC RINGS WITH HOLDER, Z=50X PACK



Design of the product	Single device round
Enclosure:	
Number of command points	0
Actuator:	
Design of the operating mechanism	indicator light
Product extension optional Light source	Yes
Color	
• of the actuating element	Blue
Material of the actuating element	plastic
Shape of the actuating element	Concentric rings
Outer diameter of the actuating element	28 mm
Number of switching positions	0
Front ring:	
Product component front ring	No
Holder:	
Material of the holder	Metal
General technical data:	

<b>Product function</b>	
• EMERGENCY OFF function	No
• EMERGENCY STOP function	No
<b>Protection class IP</b>	IP67
<b>Vibration resistance</b>	
• acc. to IEC 60068-2-6	20 ... 200 Hz: 5g
<b>Equipment marking</b>	
• acc. to DIN 40719 extended according to IEC 204-2 acc. to IEC 750	H
• acc. to DIN EN 61346-2	P
• acc. to DIN EN 81346-2	P

#### Connections/ Terminals:

<b>Tightening torque of the screws in the bracket</b>	1.4 ... 1.6 N·m
---	-----------------

#### Ambient conditions:

<b>Ambient temperature</b>	
• during operation	-25 ... +70 °C
• during storage	-40 ... +80 °C
<b>Environmental category during operation acc. to IEC 60721</b>	3K6

#### Installation/ mounting/ dimensions:

<b>Mounting type</b>	front mounting
<b>Shape of the installation opening</b>	round
<b>Mounting diameter</b>	22 mm
<b>Mounting height</b>	11 mm
<b>Installation width</b>	28 mm
<b>Installation depth</b>	29 mm

#### Certificates/approvals

<b>General Product Approval</b>	<b>Declaration of Conformity</b>	<b>Shipping Approval</b>
---------------------------------	----------------------------------	--------------------------



CSA



UL



EG-Konf.



ABS



DNV

<b>Shipping Approval</b>	<b>other</b>
--------------------------	--------------



LRS



PRS



RINA

[Bestätigungen](#)

## Further information

### Information- and Downloadcenter (Catalogs, Brochures,...)

<http://www.siemens.com/industrial-controls/catalogs>

### Industry Mall (Online ordering system)

<https://mall.industry.siemens.com/mall/en/en/Catalog/product?mfb=3SB3501-6BA50-Z X90>

### Cax online generator

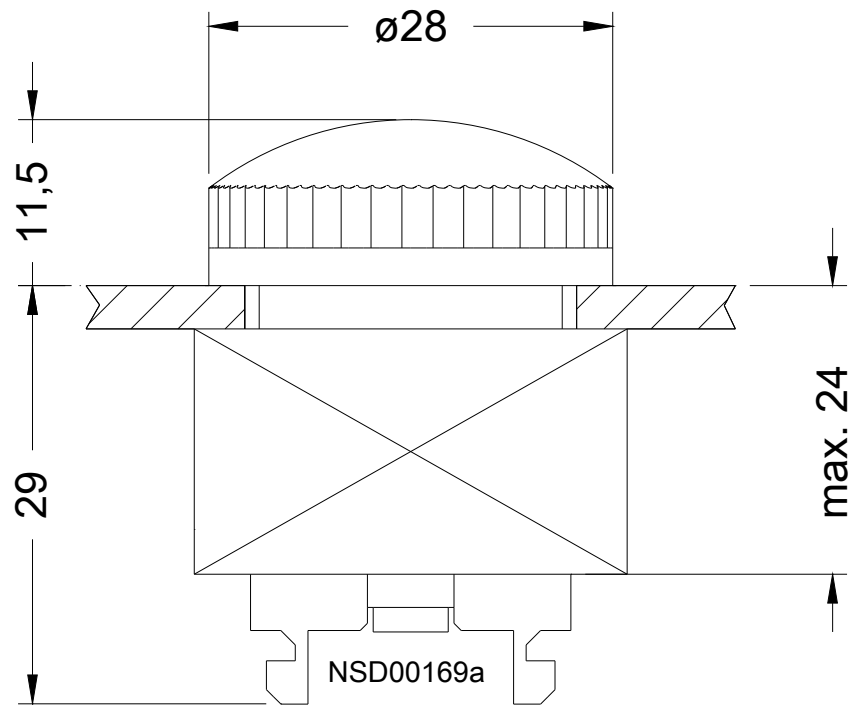
<http://support.automation.siemens.com/WW/CAXorder/default.aspx?lang=en&mfb=3SB3501-6BA50-Z X90>

### Service&Support (Manuals, Certificates, Characteristics, FAQs,...)

<https://support.industry.siemens.com/cs/ww/en/ps/3SB3501-6BA50-Z X90>

### Image database (product images, 2D dimension drawings, 3D models, device circuit diagrams, EPLAN macros, ...)

[http://www.automation.siemens.com/bilddb/cax\\_de.aspx?mfb=3SB3501-6BA50-Z X90&lang=en](http://www.automation.siemens.com/bilddb/cax_de.aspx?mfb=3SB3501-6BA50-Z X90&lang=en)



last modified:

08/18/2016