

VS-BH-M12FSX-10G-RJ45/180 - Control cabinet feed-through



1404549

<https://www.phoenixcontact.com/gb/products/1404549>

Please be informed that the data shown in this PDF document is generated from our online catalog. Please find the complete data in the user documentation. Our general terms of use for downloads are valid.

Control cabinet feed-through, M12, 8-pos., X-coded to RJ45 socket, socket input 180°, IP65/67



Your advantages

- Compact design

Commercial data

Item number	1404549
Packing unit	1 pc
Minimum order quantity	1 pc
Sales key	ABNPBC
Product key	ABNPBC
GTIN	4046356699426
Weight per piece (including packing)	36 g
Weight per piece (excluding packing)	36 g
Customs tariff number	85366990
Country of origin	DE

VS-BH-M12FSX-10G-RJ45/180 - Control cabinet feed-through



1404549

<https://www.phoenixcontact.com/gb/products/1404549>

Technical data

Product properties

Type	M12
Sensor type	Ethernet
Number of positions	8
Connection profile	M12
Number of slots	1
Shielded	yes
Cable outlet	straight
Thread type	M12

Insulation characteristics

Overvoltage category	III
Degree of pollution	2

Electrical properties

Maximum load current	0.5 A
Rated voltage (III/3)	72 V (DC)
Rated surge voltage	0.8 kV
Rated current	1.75 A
Nominal voltage U_N	48 V
Nominal current I_N	0.5 A
Transmission medium	Copper
Transmission speed	10 Gbps
Transmission characteristics (category)	CAT6 _A
Power transmission	PoE++

Connection data

Connection technology

Connection method	Coupling
-------------------	----------

Material specifications

Color	black
Flammability rating according to UL 94	V0
Housing material	Plastic
Material of grip body	PA
Contact material	Copper alloy

Connector

Connection 1

Type	Socket M12
Locking type	Screw connection

VS-BH-M12FSX-10G-RJ45/180 - Control cabinet feed-through



1404549

<https://www.phoenixcontact.com/gb/products/1404549>

Coding type	X
Shielded	yes
Insertion/withdrawal cycles	≥ 750 (RJ45)
Degree of protection	IP65/IP67

Connection 2

Type	Socket RJ45
Degree of protection	IP20

Mechanical properties

Mechanical data

Insertion/withdrawal cycles	≥ 100
-----------------------------	-------

Environmental and real-life conditions

Ambient conditions

Degree of protection	IP65
	IP67
	IP65/IP67, when installed
Ambient temperature (operation)	-25 °C ... 85 °C
Ambient temperature (storage/transport)	-25 °C ... 85 °C

Mounting

Mounting type	Rear mounting
---------------	---------------

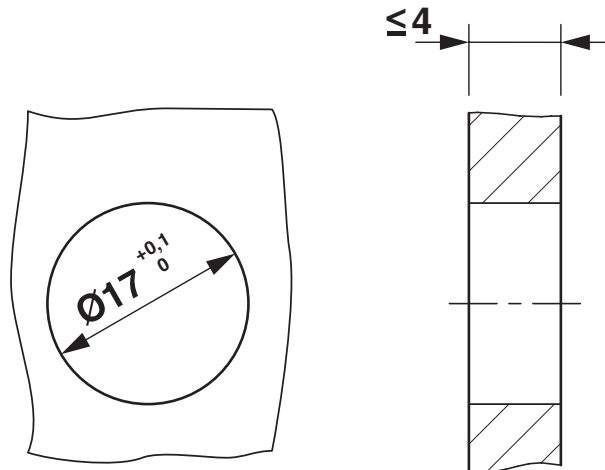
VS-BH-M12FSX-10G-RJ45/180 - Control cabinet feed-through

1404549

<https://www.phoenixcontact.com/gb/products/1404549>

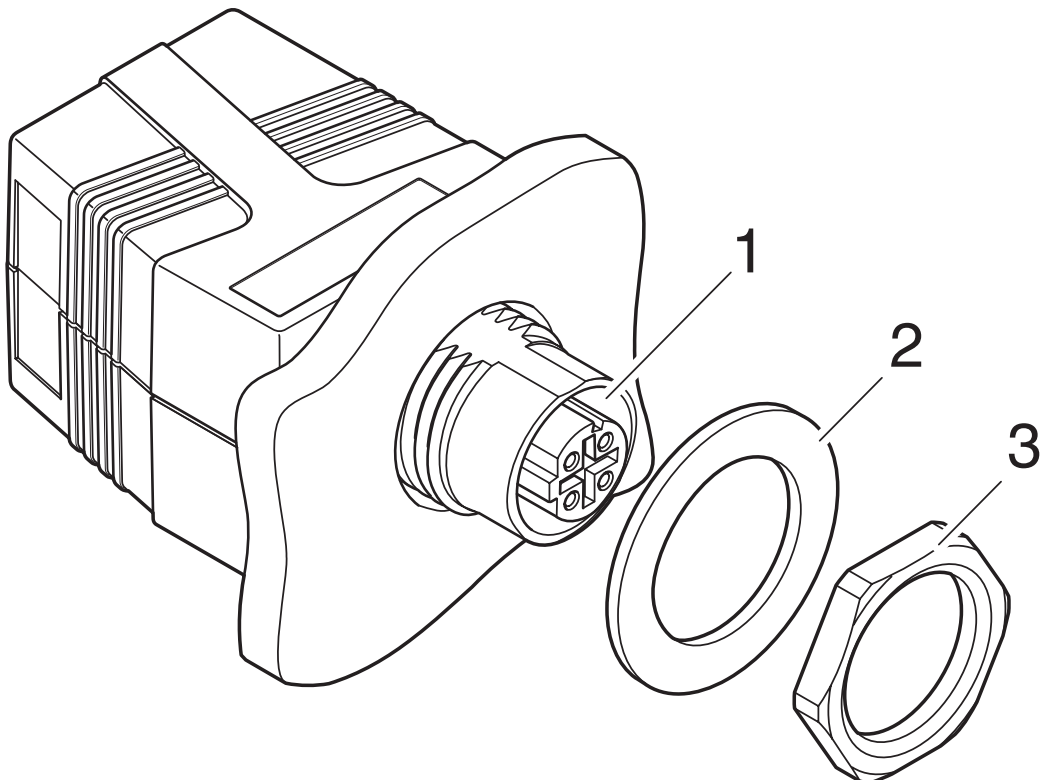
Drawings

Dimensional drawing



Mounting cutout

Exploded view



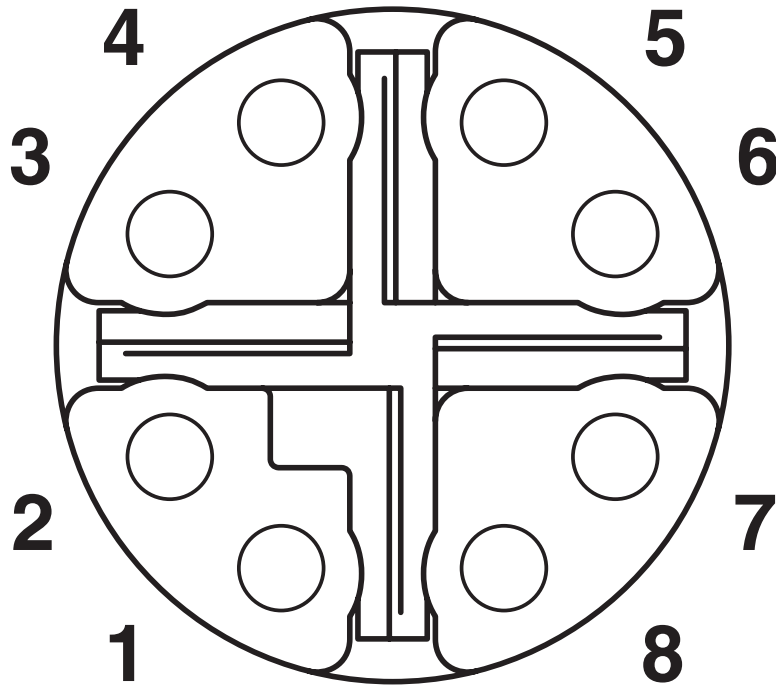
Exploded drawing

VS-BH-M12FSX-10G-RJ45/180 - Control cabinet feed-through

1404549

<https://www.phoenixcontact.com/gb/products/1404549>

Schematic diagram



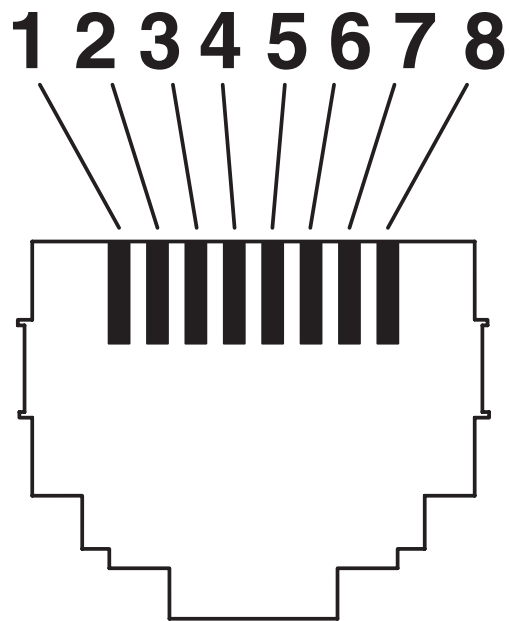
Pin assignment of M12 female, 8-pos., X-coded, view: female side

VS-BH-M12FSX-10G-RJ45/180 - Control cabinet feed-through

1404549

<https://www.phoenixcontact.com/gb/products/1404549>

Schematic diagram



RJ45 jack insert

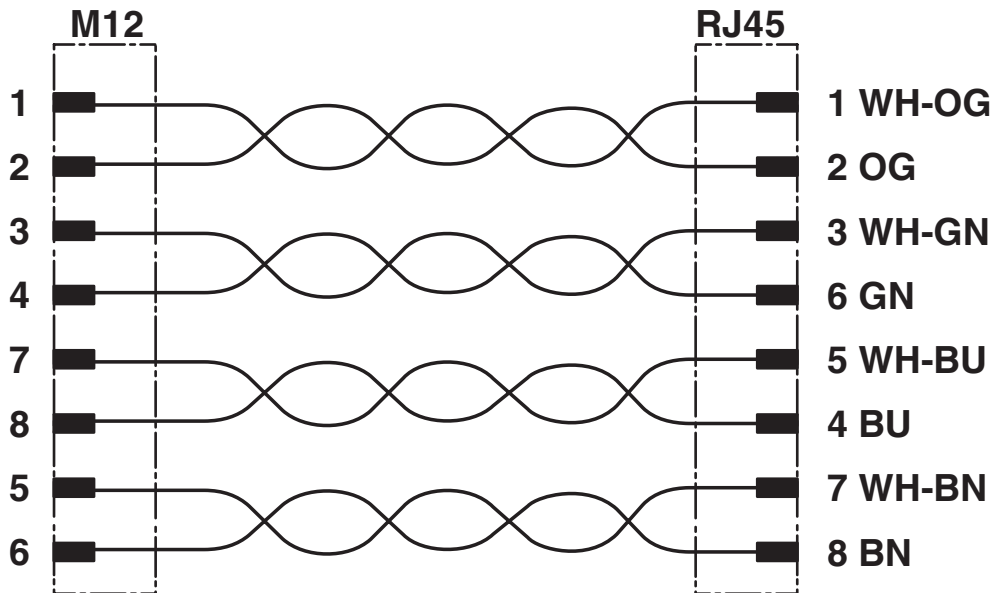
VS-BH-M12FSX-10G-RJ45/180 - Control cabinet feed-through



1404549

<https://www.phoenixcontact.com/gb/products/1404549>

Circuit diagram



Circuit diagram

VS-BH-M12FSX-10G-RJ45/180 - Control cabinet feed-through





1404549

<https://www.phoenixcontact.com/gb/products/1404549>

Approvals

To download certificates, visit the product detail page: <https://www.phoenixcontact.com/gb/products/1404549>

 UL Listed Approval ID: E335024-20140306				
	Nominal voltage U_N	Nominal current I_N	Cross section AWG	Cross section mm^2
keine				
	60 V	0.5 A	-	-

 cUL Listed Approval ID: E335024-20140306				
	Nominal voltage U_N	Nominal current I_N	Cross section AWG	Cross section mm^2
keine				
	60 V	0.5 A	-	-

VS-BH-M12FSX-10G-RJ45/180 - Control cabinet feed-through



1404549

<https://www.phoenixcontact.com/gb/products/1404549>

Classifications

ECLASS

ECLASS-13.0	27440390
ECLASS-15.0	27440325

ETIM

ETIM 10.0	EC004746
-----------	----------

UNSPSC

UNSPSC 21.0	39121400
-------------	----------

VS-BH-M12FSX-10G-RJ45/180 - Control cabinet feed-through



1404549

<https://www.phoenixcontact.com/gb/products/1404549>

Environmental product compliance

EU RoHS

Fulfills EU RoHS substance requirements	Yes
Exemption	6(c)

China RoHS

Environment friendly use period (EFUP)	EFUP-50
	An article-related China RoHS declaration table can be found in the download area for the respective article under "Manufacturer declaration". For all articles with EFUP-E, no China RoHS declaration table issued and required.

EU REACH SVHC

REACH candidate substance (CAS No.)	Lead(CAS: 7439-92-1)
SCIP	e5faff2b-d642-4712-b97d-a5ac81b8c350

Phoenix Contact 2026 © - all rights reserved

<https://www.phoenixcontact.com>

PHOENIX CONTACT Ltd
Halesfield 13, Telford
Shropshire, TF7 4PG
01952 681700
info@phoenixcontact.co.uk