

# SAC-3P-M12Y/2XM 8FS - Y distributor



1683471

<https://www.phoenixcontact.com/gb/products/1683471>

Please be informed that the data shown in this PDF document is generated from our online catalog. Please find the complete data in the user documentation. Our general terms of use for downloads are valid.



Y distributor, 4-position, unshielded, Plug straight M12, coding: A, on Socket straight M8, coding: A and Socket straight M8, coding: A

## Commercial data

Item number	1683471
Packing unit	5 pc
Minimum order quantity	5 pc
Sales key	AF1GAB
Product key	AF1GAB
GTIN	4017918166939
Weight per piece (including packing)	12.95 g
Weight per piece (excluding packing)	13.1 g
Customs tariff number	85366990
Country of origin	PL

# SAC-3P-M12Y/2XM 8FS - Y distributor



1683471

<https://www.phoenixcontact.com/gb/products/1683471>

## Technical data

### Product properties

Number of positions	4
No. of cable outlets	2
Shielded	no
Coding	A
Thread type	M12 to M8

### Insulation characteristics

Overvoltage category	II
Degree of pollution	3

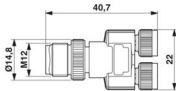
### Electrical properties

Insulation resistance	$\geq 100 \text{ M}\Omega$
Nominal voltage $U_N$	48 V AC 60 V DC
Nominal current $I_N$	4 A

### Signaling

Status display	no
Status display present	no

### Dimensions

Dimensional drawing	
Width	22 mm
Height	14.8 mm
Length	40.7 mm
Center distance	12 mm

### Material specifications

Flammability rating according to UL 94	HB
Seal material	NBR
Material of grip body	TPU, hardly inflammable, self-extinguishing
Contact material	CuZn
Contact surface material	Ni/Au
Contact carrier material	TPU GF
Material for screw connection	Zinc die-cast, nickel-plated

### Connector

# SAC-3P-M12Y/2XM 8FS - Y distributor



1683471

<https://www.phoenixcontact.com/gb/products/1683471>

## Connection 1

Type	Plug straight M12
Coding type	A

## Connection 2

Type	Socket straight M8
Coding type	A

## Connection 3

Type	Socket straight M8
Coding type	A

## Mechanical properties

### Mechanical data

Insertion/withdrawal cycles	≥ 100
-----------------------------	-------

## Environmental and real-life conditions

### Ambient conditions

Degree of protection	IP65 IP67
Ambient temperature (operation) (male connector/female connector)	-25 °C ... 90 °C (Plug / socket)

## Standards and regulations

### M12

Standard designation	M12 connector
Standards/specifications	IEC 61076-2-101

### M8

Standard designation	M8 connector
Standards/specifications	IEC 61076-2-104

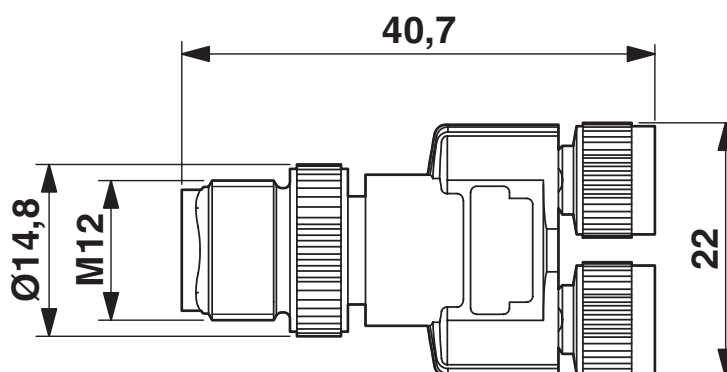
# SAC-3P-M12Y/2XM 8FS - Y distributor

1683471

<https://www.phoenixcontact.com/gb/products/1683471>

## Drawings

Dimensional drawing



M12 Y distributor

# SAC-3P-M12Y/2XM 8FS - Y distributor

1683471

<https://www.phoenixcontact.com/gb/products/1683471>



Schematic diagram



Pin assignment M12 plug, 4-pos., A-coded, view plug side

# SAC-3P-M12Y/2XM 8FS - Y distributor

1683471

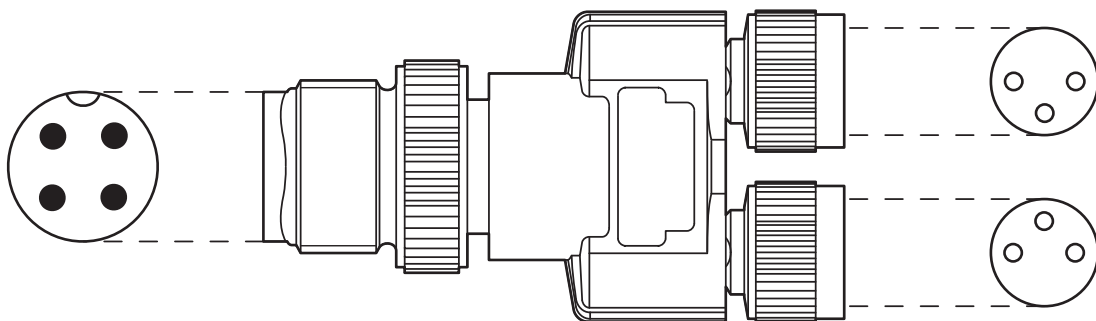
<https://www.phoenixcontact.com/gb/products/1683471>

Schematic diagram



Pin assignment M8 socket, 3-pos., view female side

Schematic diagram



Layout of connector pin assignments

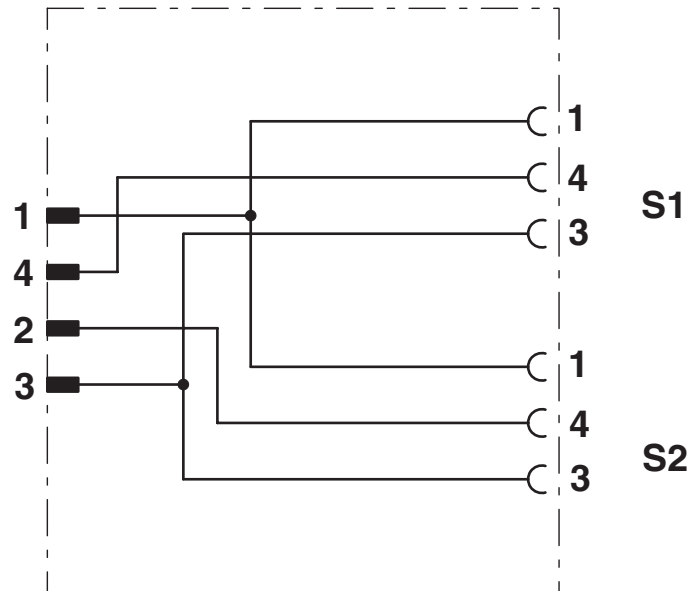
# SAC-3P-M12Y/2XM 8FS - Y distributor

1683471

<https://www.phoenixcontact.com/gb/products/1683471>



Circuit diagram



Contact assignment of the M12/M8 Y distributor

# SAC-3P-M12Y/2XM 8FS - Y distributor



1683471

<https://www.phoenixcontact.com/gb/products/1683471>

## Approvals

To download certificates, visit the product detail page: <https://www.phoenixcontact.com/gb/products/1683471>



**EAC**

Approval ID: RU C-DE.AI30.B.01102



**UL Listed**

Approval ID: E221474

	Nominal voltage $U_N$	Nominal current $I_N$	Cross section AWG	Cross section $\text{mm}^2$
keine				
	30 V	4 A	-	-



**cUL Listed**

Approval ID: E221474

	Nominal voltage $U_N$	Nominal current $I_N$	Cross section AWG	Cross section $\text{mm}^2$
keine				
	30 V	4 A	-	-

# SAC-3P-M12Y/2XM 8FS - Y distributor



1683471

<https://www.phoenixcontact.com/gb/products/1683471>

## Classifications

### ECLASS

ECLASS-13.0	27440106
ECLASS-15.0	27440106

### ETIM

ETIM 10.0	EC002925
-----------	----------

### UNSPSC

UNSPSC 21.0	31251500
-------------	----------

# SAC-3P-M12Y/2XM 8FS - Y distributor



1683471

<https://www.phoenixcontact.com/gb/products/1683471>

## Environmental product compliance

### EU RoHS

Fulfills EU RoHS substance requirements	Yes, No exemptions
---	--------------------

### China RoHS

Environment friendly use period (EFUP)	EFUP-E
	No hazardous substances above the limits

### EU REACH SVHC

REACH candidate substance (CAS No.)	No substance above 0.1 wt%
-------------------------------------	----------------------------

### EF3.1 Climate Change

CO2e kg	0.617 kg CO2e
---------	---------------

Phoenix Contact 2026 © - all rights reserved  
<https://www.phoenixcontact.com>

PHOENIX CONTACT Ltd  
Halesfield 13, Telford  
Shropshire, TF7 4PG  
01952 681700  
[info@phoenixcontact.co.uk](mailto:info@phoenixcontact.co.uk)