

HC-STA-B24-BWS-ELC-AL - Housing



1411329

<https://www.phoenixcontact.com/gb/products/1411329>

Please be informed that the data shown in this PDF document is generated from our online catalog. Please find the complete data in the user documentation. Our general terms of use for downloads are valid.



HEAVYCON B24 panel mounting base, with single locking latch, with flat gasket, salt-water-resistant aluminum, conductive profile gasket

Your advantages

- Good shielding in the event of electromagnetic interference

Commercial data

| | |
|--------------------------------------|---------------|
| Item number | 1411329 |
| Packing unit | 1 pc |
| Minimum order quantity | 1 pc |
| Sales key | AF7APB |
| Product key | AF7APB |
| GTIN | 4046356927499 |
| Weight per piece (including packing) | 135.5 g |
| Weight per piece (excluding packing) | 133 g |
| Customs tariff number | 85389099 |
| Country of origin | CN |

HC-STA-B24-BWS-ELC-AL - Housing

1411329

<https://www.phoenixcontact.com/gb/products/1411329>

Technical data

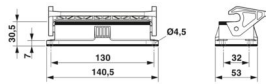
Notes

| | |
|---------|---|
| General | For contact inserts HC-B24, BB46, D64, DD108, M |
| General | also available as a powder-coated or color version: 1373291 HC-STA-B24-BWS-EL/.../... |

Product properties

| | |
|---------------------|---------------------|
| Housing type | Panel mounting base |
| Application | Standard |
| Type | B24 |
| Pg screw connection | none |

Dimensions

| | |
|---------------------------------|---|
| Dimensional drawing |  |
| Width | 53 mm |
| Height | 30.5 mm |
| Length | 140.5 mm |
| Drill hole distance, horizontal | 130 mm |
| Drill hole distance, vertical | 32 mm |
| Hole diameter | 4.5 mm |

Installation dimensions

| | |
|-------------------------------|--------|
| Width of the assembly cutout | 35 mm |
| Length of the assembly cutout | 113 mm |

Material specifications

| | |
|--|---|
| Flammability rating according to UL 94 | V0 (Interlock) |
| Seal material | NBR, conductive NBR, conductive |
| Housing material | Die-cast aluminum, salt water resistant |
| Housing surface material | uncoated |
| Locking latch material | Polyamide |

Mechanical properties

Mechanical data

| | |
|--------------|-------|
| Locking type | Latch |
|--------------|-------|

Connection data

| | |
|-------------------|--|
| Tightening torque | 0.8 Nm ... 1.2 Nm (For M4 mounting screws on the panel-mount base) |
|-------------------|--|

1411329

<https://www.phoenixcontact.com/gb/products/1411329>

Environmental and real-life conditions

Ambient conditions

| | |
|---------------------------------|-------------------|
| Degree of protection | IP66 |
| | IP67 |
| Enclosure rating (NEMA) | 4 (UL 50e) |
| | 4X (UL 50e) |
| | 12 (UL 50e) |
| Impact strength | IK08 |
| Ambient temperature (operation) | -40 °C ... 125 °C |

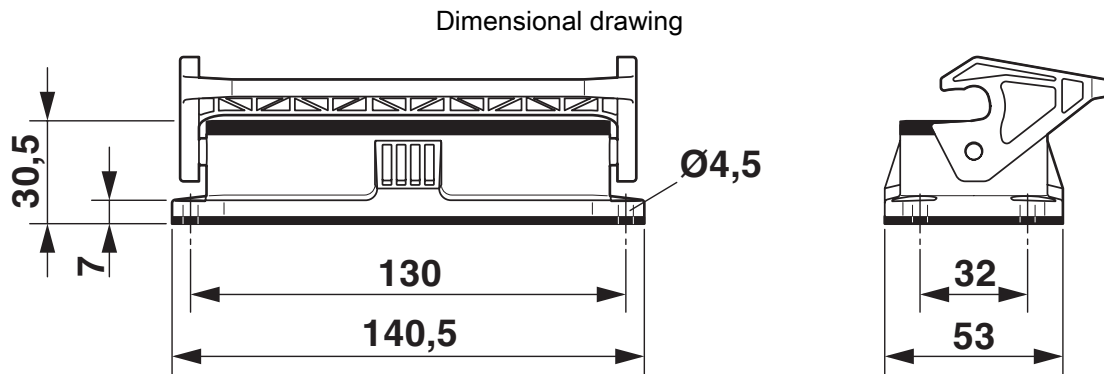
HC-STA-B24-BWS-ELC-AL - Housing



1411329

<https://www.phoenixcontact.com/gb/products/1411329>

Drawings



Dimensional drawing



Mounting cutout

1411329

<https://www.phoenixcontact.com/gb/products/1411329>

Approvals

To download certificates, visit the product detail page: <https://www.phoenixcontact.com/gb/products/1411329>

DNV

Approval ID: TAE000037S



cUL Recognized

Approval ID: E255026



UL Recognized

Approval ID: E255026



EAC

Approval ID: RU C-DE.AI30.B.01102

1411329

<https://www.phoenixcontact.com/gb/products/1411329>

Classifications

ECLASS

| | |
|-------------|----------|
| ECLASS-13.0 | 27440202 |
| ECLASS-15.0 | 27440202 |

ETIM

| | |
|-----------|----------|
| ETIM 10.0 | EC000437 |
|-----------|----------|

UNSPSC

| | |
|-------------|----------|
| UNSPSC 21.0 | 31261500 |
|-------------|----------|

1411329

<https://www.phoenixcontact.com/gb/products/1411329>

Environmental product compliance

EU RoHS

| | |
|---|--------------------|
| Fulfills EU RoHS substance requirements | Yes, No exemptions |
|---|--------------------|

China RoHS

| | |
|--|--|
| Environment friendly use period (EFUP) | EFUP-E |
| | No hazardous substances above the limits |

EU REACH SVHC

| | |
|-------------------------------------|----------------------------|
| REACH candidate substance (CAS No.) | No substance above 0.1 wt% |
|-------------------------------------|----------------------------|

Phoenix Contact 2026 © - all rights reserved
<https://www.phoenixcontact.com>

PHOENIX CONTACT Ltd
Halesfield 13, Telford
Shropshire, TF7 4PG
01952 681700
info@phoenixcontact.co.uk