

# PT-BE/FM - Type 3 surge protection base element



2839282

<https://www.phoenixcontact.com/gb/products/2839282>

Please be informed that the data shown in this PDF document is generated from our online catalog. Please find the complete data in the user documentation. Our general terms of use for downloads are valid.

Base element for protective plug PT, for mounting on NS 35/7.5 and NS 35/15, housing width: 17.5 mm



## Your advantages

- Maximum ease of maintenance, thanks to the 2-piece design
- Easy selection for all possible demands in MCR applications with a complete product portfolio
- The signal is not influenced during maintenance work, thanks to the impedance-neutral insertion and removal of protective plugs
- Easy integration into the control room via floating remote indication contact

## Commercial data

Item number	2839282
Packing unit	10 pc
Minimum order quantity	10 pc
Sales key	CL1411
Product key	CL1411
GTIN	4017918182502
Weight per piece (including packing)	48.7 g
Weight per piece (excluding packing)	45.91 g
Customs tariff number	85363010
Country of origin	DE

# PT-BE/FM - Type 3 surge protection base element

2839282

<https://www.phoenixcontact.com/gb/products/2839282>

## Technical data

### Product properties

Product family	PLUGTRAB PT
IEC power supply system	TN-S
	TT
Type	Base element, DIN rail mounting
Number of positions	3
Surge protection fault message	Remote indication contact

### Insulation characteristics

Overvoltage category	III
Pollution degree	2
IEC test classification	III
	T3
EN type	T3
Number of ports	One

### Electrical properties

#### Indicator/remote signaling

Connection name	Remote fault indicator contact
Switching function	N/C contact

### Connection data

Connection method	Screw connection
Screw thread	M3
Tightening torque	0.8 Nm
Conductor cross-section flexible	0.2 mm <sup>2</sup> ... 2.5 mm <sup>2</sup>
Conductor cross-section rigid	0.2 mm <sup>2</sup> ... 4 mm <sup>2</sup>
Conductor cross-section AWG	24 ... 12

### Dimensions

Dimensional drawing	
Width	17.7 mm
Height	90 mm
Depth	51.2 mm
Horizontal pitch	1 Div.
Complete module width	17.7 mm
Complete module height	90 mm
Complete module depth	65.5 mm

# PT-BE/FM - Type 3 surge protection base element



2839282

<https://www.phoenixcontact.com/gb/products/2839282>

## Material specifications

Color	black (RAL 9005)
Flammability rating according to UL 94	V-0
CTI value of material	600
Insulating material	PA 6.6-FR
Material group	I
Housing material	PA 6.6-FR

## Mechanical properties

### Mechanical data

Open side panel	No
-----------------	----

## Protective circuit

Nominal voltage $U_N$	230 V AC (TN-S)
	230 V AC (TT)
Nominal frequency $f_N$	50 Hz (60 Hz)
Maximum continuous operating voltage $U_C$	264 V AC
Rated load current $I_L$	26 A (30 °C)
Short-circuit current rating $I_{SCCR}$	1.5 kA AC
Max. backup fuse with branch wiring	depends on the plug used

## Environmental and real-life conditions

### Ambient conditions

Degree of protection	IP20
Ambient temperature (operation)	-40 °C ... 80 °C
Ambient temperature (storage/transport)	-40 °C ... 80 °C
Altitude	≤ 2000 m (amsl)
Permissible humidity (operation)	5 % ... 95 %
Shock (operation)	30g (Half-sine / 11 ms / 3x ±X, ±Y, ±Z)
Vibration (operation)	5g (10 Hz ... 150 Hz / 20 cycles/axis / X, Y, Z)

## Standards and regulations

Standards/specifications	IEC 61643-11
Note	2011
Standards/specifications	EN 61643-11
Note	2012

## Mounting

Mounting type	DIN rail: 35 mm
---------------	-----------------

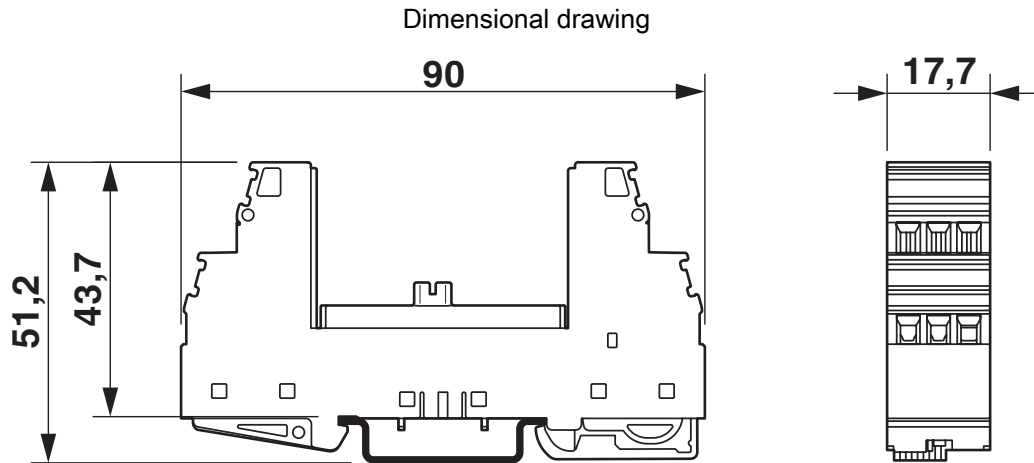
# PT-BE/FM - Type 3 surge protection base element



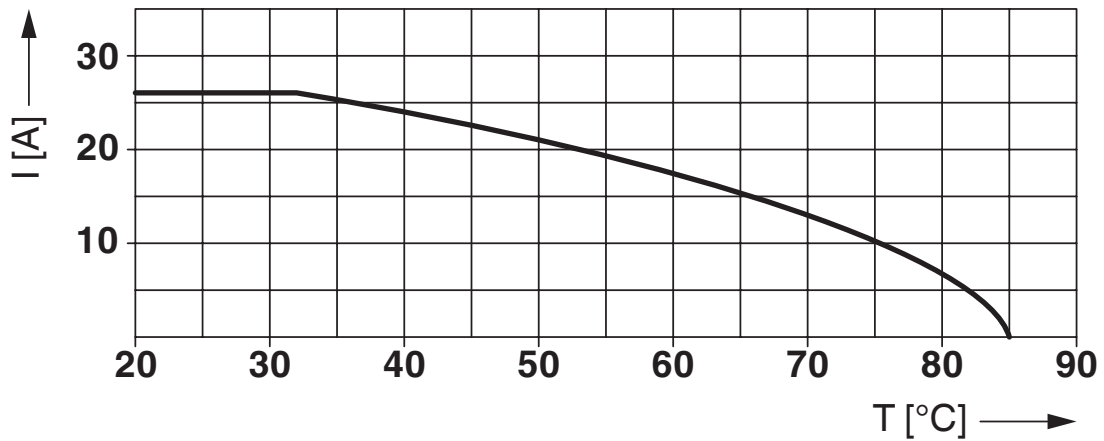
2839282

<https://www.phoenixcontact.com/gb/products/2839282>

## Drawings



Diagram



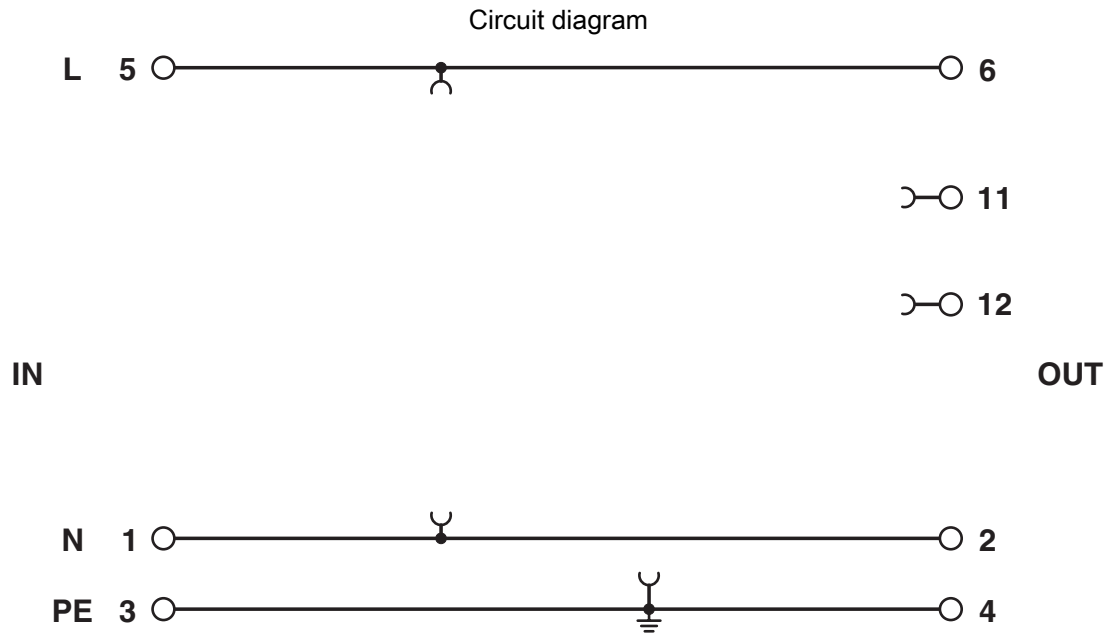
Nominal current depending on ambient temperature

# PT-BE/FM - Type 3 surge protection base element



2839282

<https://www.phoenixcontact.com/gb/products/2839282>



# PT-BE/FM - Type 3 surge protection base element



2839282

<https://www.phoenixcontact.com/gb/products/2839282>

## Approvals

To download certificates, visit the product detail page: <https://www.phoenixcontact.com/gb/products/2839282>



**UL Recognized**

Approval ID: FILE E 330181

# PT-BE/FM - Type 3 surge protection base element



2839282

<https://www.phoenixcontact.com/gb/products/2839282>

## Classifications

### ECLASS

ECLASS-13.0	27171501
ECLASS-15.0	27171501

### ETIM

ETIM 10.0	EC001466
-----------	----------

### UNSPSC

UNSPSC 21.0	39121600
-------------	----------

# PT-BE/FM - Type 3 surge protection base element



2839282

<https://www.phoenixcontact.com/gb/products/2839282>

## Environmental product compliance

### EU RoHS

Fulfills EU RoHS substance requirements	Yes, No exemptions
---	--------------------

### China RoHS

Environment friendly use period (EFUP)	EFUP-E
	No hazardous substances above the limits

### EU REACH SVHC

REACH candidate substance (CAS No.)	No substance above 0.1 wt%
-------------------------------------	----------------------------

Phoenix Contact 2026 © - all rights reserved  
<https://www.phoenixcontact.com>

PHOENIX CONTACT Ltd  
Halesfield 13, Telford  
Shropshire, TF7 4PG  
01952 681700  
[info@phoenixcontact.co.uk](mailto:info@phoenixcontact.co.uk)