

# PROT-MS SCO - Screw plug

1553129

<https://www.phoenixcontact.com/gb/products/1553129>

Please be informed that the data shown in this PDF document is generated from our online catalog. Please find the complete data in the user documentation. Our general terms of use for downloads are valid.



M12 screw plug with fast-locking system for unoccupied M12 female connectors of sensor/actuator cables, boxes, and flush-type connectors

## Your advantages

- Reliable protection of unoccupied slots during transport and use in the field
- Protected against splash water and dust
- Easy assembly by hand or using a screwdriver
- Good haptics due to ribbing
- Secure and convenient locking with SPEEDCON

## Commercial data

Item number	1553129
Packing unit	5 pc
Minimum order quantity	5 pc
Sales key	AF3ZAX
Product key	AF3ZAX
GTIN	4046356156776
Weight per piece (including packing)	1.8 g
Weight per piece (excluding packing)	1.8 g
Customs tariff number	39269097
Country of origin	DE

# PROT-MS SCO - Screw plug

1553129

<https://www.phoenixcontact.com/gb/products/1553129>

## Technical data

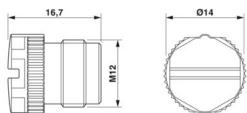
### Notes

General	Not suitable for M12 sockets with K, L, or M coding
---------	---

### Product properties

Thread type	M12
-------------	-----

### Dimensions

Dimensional drawing	
Diameter	14 mm

### Material specifications

Flammability rating according to UL 94	V0
Material for screw connection	PA 6.6

### Environmental and real-life conditions

Ambient conditions	
Degree of protection	IP67

# PROT-MS SCO - Screw plug

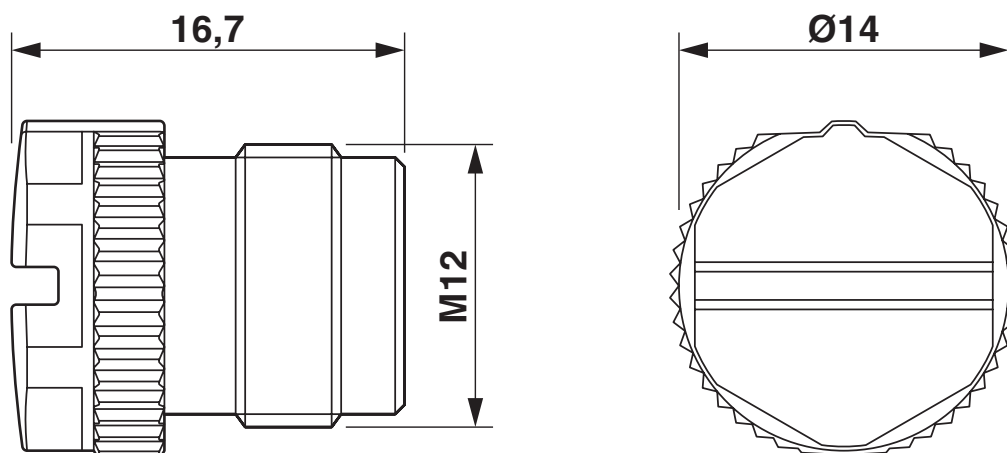
1553129

<https://www.phoenixcontact.com/gb/products/1553129>



## Drawings

Dimensional drawing



# PROT-MS SCO - Screw plug



1553129

<https://www.phoenixcontact.com/gb/products/1553129>

## Classifications

### ECLASS

ECLASS-13.0	23111190
ECLASS-15.0	27440192

### ETIM

ETIM 10.0	EC002374
-----------	----------

### UNSPSC

UNSPSC 21.0	31261500
-------------	----------

# PROT-MS SCO - Screw plug



1553129

<https://www.phoenixcontact.com/gb/products/1553129>

## Environmental product compliance

### EU RoHS

Fulfills EU RoHS substance requirements	Yes, No exemptions
---	--------------------

### China RoHS

Environment friendly use period (EFUP)	EFUP-E
	No hazardous substances above the limits

### EU REACH SVHC

REACH candidate substance (CAS No.)	No substance above 0.1 wt%
-------------------------------------	----------------------------

Phoenix Contact 2026 © - all rights reserved  
<https://www.phoenixcontact.com>

PHOENIX CONTACT Ltd  
Halesfield 13, Telford  
Shropshire, TF7 4PG  
01952 681700  
[info@phoenixcontact.co.uk](mailto:info@phoenixcontact.co.uk)