

mechanical connectors for contactor combinations, 20 mm contactor clearance, for 10 combinations, (2 connectors for each combination), for contactors 3RT233



product brand name	SIRIUS
product category	Mechanical interlocks
product designation	Mechanical connectors
design of the product	for contactor assemblies size S2/S2, 4-pole for reversing, contactor clearance 20 mm
product type designation	3RA29

General technical data

Substance Prohibittance (Date)	10/01/2014
Net Weight	0.003 kg

Approvals Certificates

Environment	General Product Approval	Test Certificates
-------------	--------------------------	-------------------

[Environmental Confirmations](#)



[Type Test Certificates/Test Report](#)

Maritime application



other



[Confirmation](#)

Further information

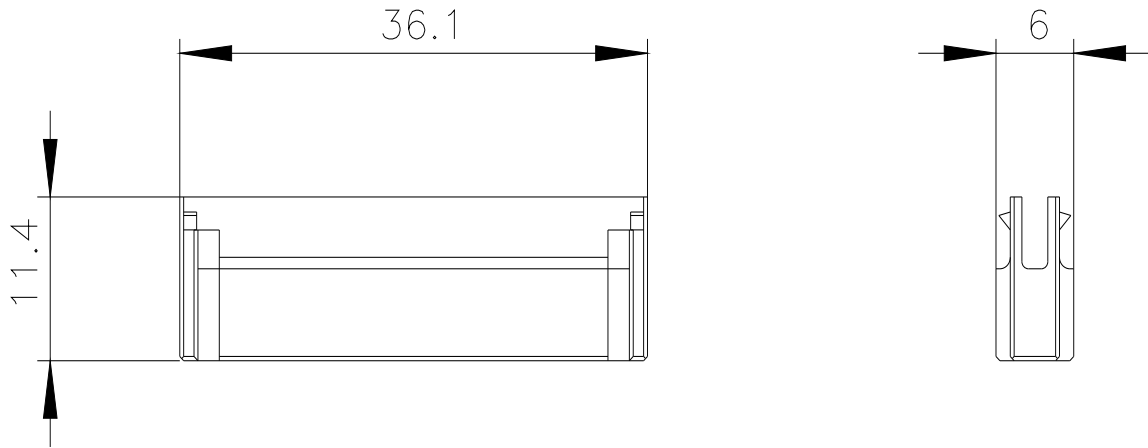
- Information on the packaging
<https://support.industry.siemens.com/cs/ww/en/view/109813875>
- Information for data generation and storage
<https://support.industry.siemens.com/cs/ww/en/view/109995012>
- Information- and Downloadcenter (Catalogs, Brochures,...)
<https://www.siemens.com/ic10>
- Industry Mall (Online ordering system)
<https://mall.industry.siemens.com/mall/en/en/Catalog/product?mlfb=3RA2932-2G>
- Cax online generator
<https://support.automation.siemens.com/WW/CAXorder/default.aspx?lang=en&mlfb=3RA2932-2G>

Service&Support (Manuals, Certificates, Characteristics, FAQs,...)

<https://support.industry.siemens.com/cs/ww/en/ps/3RA2932-2G>

Image database (product images, 2D dimension drawings, 3D models, device circuit diagrams, EPLAN macros, ...)

https://www.automation.siemens.com/bilddb/cax_de.aspx?mlfb=3RA2932-2G&lang=en



last modified:

4/2/2025 