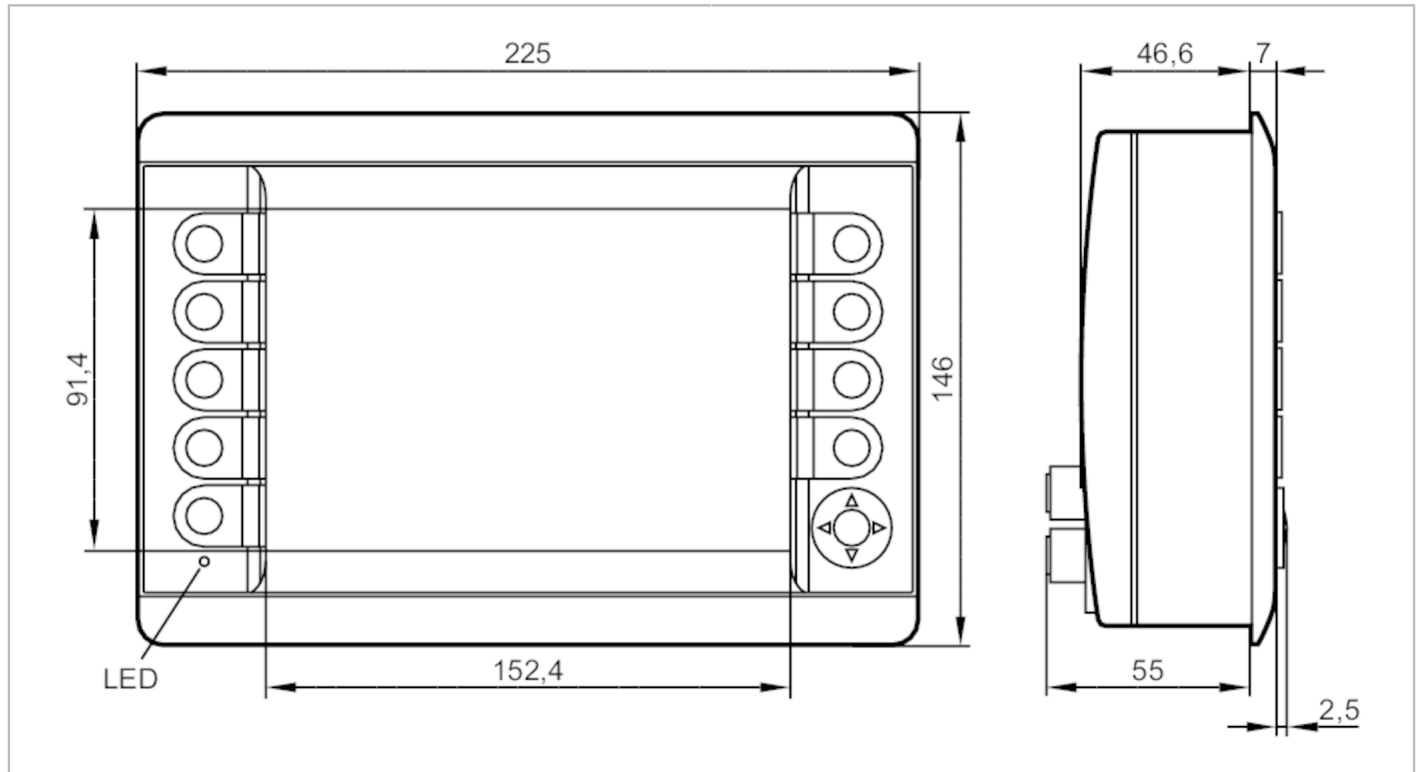


# CR1081



## Programmable graphic display for controlling mobile machines

R360/PDM NG/DialogDisplay



Product characteristics		
Operating elements	9	freely programmable backlit function keys
	1	navigation key with pushbutton
Display type		colour display
Electrical data		
Operating voltage [V]		10...32 DC
Power consumption [W]		7.2
Inputs / outputs		
Number of inputs and outputs	Number of digital inputs: 1; Number of analogue inputs: 1; Number of digital outputs: 1	
Inputs		
Number of digital inputs		1
Number of analogue inputs		1
Analogue input (current) [mA]		0...20
Analogue input (voltage) [V]		0...32
Outputs		
Number of digital outputs		1
Software / programming		
PLC function to IEC 61131-3		yes
Interfaces		
Number of CAN interfaces		4
Number of Ethernet interfaces		1
Number of USB interfaces		2

# CR1081



## Programmable graphic display for controlling mobile machines

R360/PDM NG/DialogDisplay

Mechanical data		
Weight	[g]	1681
Housing		rectangular
Type of mounting		panel / surface
Dimensions	[mm]	146 x 225 x 64.5
Displays / operating elements		
Display		7" colour display
Operating elements	9	freely programmable backlit function keys
	1	navigation key with pushbutton
Display resolution		800 x 480
Display type		colour display
Display size		7"
Display background illumination		LED
Data memories		
Real-time clock		yes
Remarks		
Pack quantity		1 pcs.
Electrical connection		
Connector: 1 x M12		