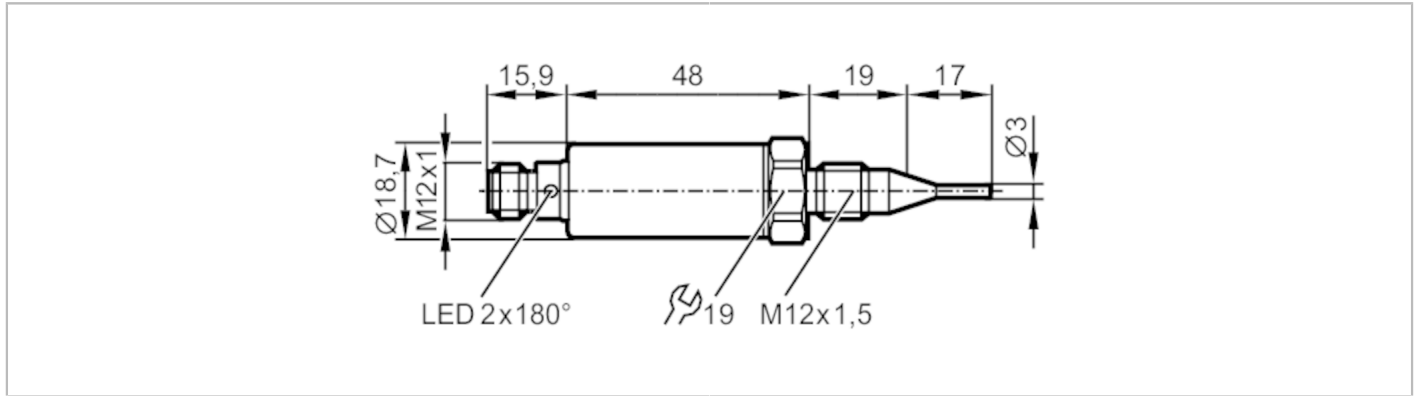


# TA1101



## Temperature transmitter

TA-017C1EM12- A-ZVG/US



### Product characteristics

Number of inputs and outputs	Number of analogue outputs: 1
Measuring range [°C]	-50...200
Process connection	threaded connection M12 x 1,5 external thread sealing cone
Installation length EL [mm]	17

### Application

Measuring element	1 x Pt 1000; (to DIN EN 60751, class A)
Media	liquids and gases
Pressure rating	100 bar / 10 MPa
Vacuum resistance	-1000 mbar / -0.1 MPa

### Electrical data

Operating voltage [V]	18...32 DC; ("supply class 2" to cULus)
Current consumption [mA]	< 50
Protection class	III
Reverse polarity protection	yes
Power-on delay time [s]	2

### Inputs / outputs

Number of inputs and outputs	Number of analogue outputs: 1
------------------------------	-------------------------------

### Outputs

Total number of outputs	1
Output signal	analogue signal; IO-Link; (configurable)
Number of analogue outputs	1
Analogue current output [mA]	4...20
Max. load [Ω]	250; ((18...19 V); 19...32 V: 300 Ω)
Short-circuit protection	yes
Overload protection	yes

### Measuring/setting range

Probe length L [mm]	10.8
Measuring range [°C]	-50...200
Factory setting	-10...150 °C

# TA1101



## Temperature transmitter

TA-017C1EM12- A-ZVG/US

<b>Resolution</b>		
Resolution of analogue output	[K]	0.04
<b>Accuracy / deviations</b>		
Precision analogue output	[K]	$\pm 0,3 + (\pm 0,1 \% \text{ MS})$
Temperature coefficient [% of the span / 10 K]		0,1; (in case of deviation from the reference condition $25 \pm 5 \text{ }^\circ\text{C}$ )
<b>Response times</b>		
Dynamic response T05 / T09	[s]	< 0,25 / < 1
<b>Interfaces</b>		
Communication interface		IO-Link
Transmission type		COM2 (38,4 kBaud)
IO-Link revision		1.1
Profiles		Smart Sensor - SSP 0      Generic Profiled Sensor
		Function      Device identification
		Function      Process data variable
Min. process cycle time	[ms]	2.3
Supported DeviceIDs		<b>Type of operation</b> <b>DeviceID</b>
		default      968
<b>Operating conditions</b>		
Ambient temperature	[°C]	-25...80
Note on ambient temperature		at medium temperature: < 160 °C -25...60 °C at medium temperature: < 200 °C
Storage temperature	[°C]	-40...100
Protection		IP 67; IP 68; IP 69K
<b>Tests / approvals</b>		
EMC		DIN EN 61000-6-2 DIN EN 61000-6-3
Shock resistance		DIN IEC 68-2-27      50 g (11 ms)
Vibration resistance		DIN IEC 68-2-6      10 g (10...2000 Hz)
MTTF	[years]	334
Note on approval		factory certificate available as download at <a href="http://www.factory-certificate.ifm">www.factory-certificate.ifm</a>
UL approval		UL approval no.      K002
<b>Mechanical data</b>		
Weight	[g]	112
Housing		cylindrical
Dimensions	[mm]	$\varnothing 18.7 / L = 99.9$
Materials		stainless steel (316L/1.4404); PEI; FKM
Materials (wetted parts)		stainless steel (316L/1.4404) electropolished
Tightening torque	[Nm]	20
Process connection		threaded connection M12 x 1,5 external thread sealing cone
Surface characteristics Ra/Rz of the wetted parts		$Ra < 0.8 \text{ } \mu\text{m}$
Probe diameter	[mm]	3

# TA1101



## Temperature transmitter

TA-017C1EM12- A-ZVG/US

Installation length EL [mm] 17

Remarks	
Remarks	MS = set measuring span The values for accuracy apply to flowing water.
Pack quantity	1 pcs.

### Electrical connection

Connector: 1 x M12; coding: A



### Connection

