

PUSHBUTTON, 22MM, ROUND, PLASTIC, WHITE, FLAT BUTTON,
1 NO+1 NC, SCREW TERMINAL, WITH HOLDER, Z=50X PACK



Figure similar

Design of the product	Complete unit round
Enclosure:	
Shape of the enclosure front	round
Material of the enclosure	plastic
Number of command points	1
Actuator:	
Design of the operating mechanism	Pushbutton
Manner of function of the actuating element	Momentary contact type
Product extension optional Light source	No
Color	
• of the actuating element	White
Material of the actuating element	plastic
Shape of the actuating element	Flat pushbutton
Type of unlocking device	without
Number of switching positions	2
Front ring:	
Product component front ring	Yes

Design of the front ring	Standard
Material of the front ring	plastic
Color of the front ring	black

Holder:

Material of the holder	Plastic
------------------------	---------

Contact block/ lampholder:

Number of lampholders	0
Number of switching elements	1

General technical data:

Product function	
<ul style="list-style-type: none"> positive opening EMERGENCY STOP function 	<p>Yes</p> <p>No</p>
Product component	
<ul style="list-style-type: none"> Light source 	No
Type of voltage	
<ul style="list-style-type: none"> of the operating voltage 	AC/DC
Protection class IP	IP66
Vibration resistance	
<ul style="list-style-type: none"> acc. to IEC 60068-2-6 	20 ... 200 Hz: 5g
Operating frequency maximum	1 000 1/h
Mechanical service life (switching cycles)	
<ul style="list-style-type: none"> typical 	10 000 000
Equipment marking	
<ul style="list-style-type: none"> acc. to DIN 40719 extended according to IEC 204-2 acc. to IEC 750 acc. to DIN EN 61346-2 acc. to DIN EN 81346-2 	<p>S</p> <p>S</p> <p>S</p>
Operating voltage	
<ul style="list-style-type: none"> rated value 	5 ... 400 V

Auxiliary circuit:

Number of NC contacts	
<ul style="list-style-type: none"> for auxiliary contacts 	1
Number of NO contacts	
<ul style="list-style-type: none"> for auxiliary contacts 	1
Number of CO contacts	
<ul style="list-style-type: none"> for auxiliary contacts 	0
Operating current at AC-12	
<ul style="list-style-type: none"> at 24 V rated value at 48 V rated value at 110 V rated value at 230 V rated value 	<p>10 A</p> <p>10 A</p> <p>10 A</p> <p>10 A</p>

<ul style="list-style-type: none"> • at 400 V rated value 	10 A
Operating current at AC-15	
<ul style="list-style-type: none"> • at 24 V rated value • at 48 V rated value • at 110 V rated value • at 230 V rated value • at 400 V rated value 	6 A 6 A 6 A 6 A 3 A
Operating current at DC-12	
<ul style="list-style-type: none"> • at 24 V rated value • at 48 V rated value • at 110 V rated value • at 230 V rated value 	10 A 5 A 2.5 A 1 A
Operating current at DC-13	
<ul style="list-style-type: none"> • at 24 V rated value • at 48 V rated value • at 110 V rated value • at 230 V rated value 	3 A 1.5 A 0.7 A 0.3 A

Connections/ Terminals:

Type of electrical connection	screw-type terminals
Tightening torque of the screws in the bracket	1 ... 1.2 N·m

Ambient conditions:

Ambient temperature	
<ul style="list-style-type: none"> • during operation • during storage 	-25 ... +70 °C -40 ... +80 °C
Environmental category during operation acc. to IEC 60721	3K6





Installation/ mounting/ dimensions:

Mounting type	front mounting
Shape of the installation opening	round
Mounting diameter	22 mm
Mounting height	8 mm
Installation width	28.5 mm
Installation depth	63 mm

Accessories:

Product component holder for 3 switching elements	No
--	----

Certificates/approvals

General Product Approval		Declaration of Conformity	Test Certificates	Shipping Approval
 CSA	 UL		 EG-Konf.	spezielle Prüfbescheinigungen <u>n</u>
				 ABS

Shipping Approval				other	
 DNV	 LRS	 PRS	 RINA	sonstig	Bestätigungen

other
Umweltbestätigung

Further information

Information- and Downloadcenter (Catalogs, Brochures,...)

<http://www.siemens.com/industrial-controls/catalogs>

Industry Mall (Online ordering system)

<https://mall.industry.siemens.com/mall/en/en/Catalog/product?mlfb=3SB3201-0AA61-Z X90>

Cax online generator

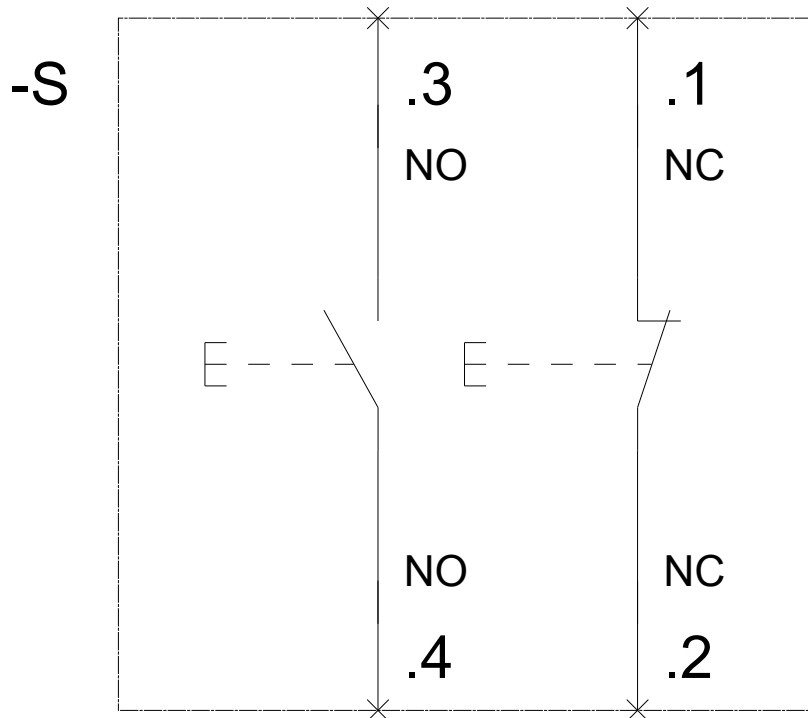
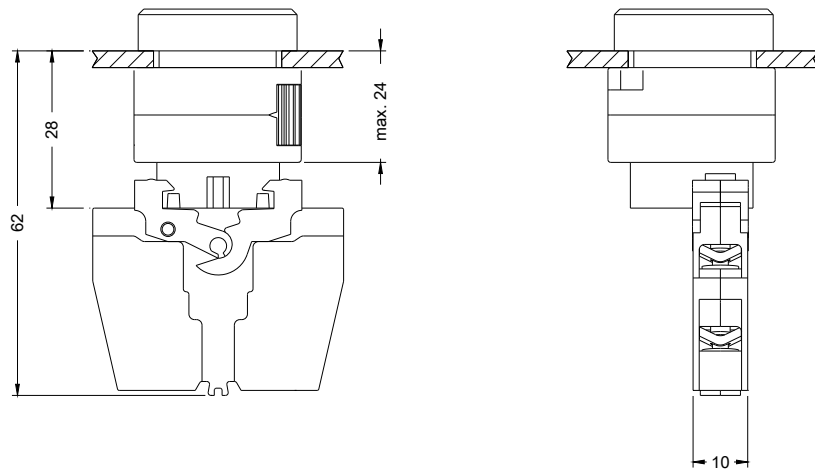
<http://support.automation.siemens.com/WW/CAXorder/default.aspx?lang=en&mlfb=3SB3201-0AA61-Z X90>

Service&Support (Manuals, Certificates, Characteristics, FAQs,...)

<https://support.industry.siemens.com/cs/ww/en/ps/3SB3201-0AA61-Z X90>

Image database (product images, 2D dimension drawings, 3D models, device circuit diagrams, EPLAN macros, ...)

http://www.automation.siemens.com/bilddb/cax_de.aspx?mlfb=3SB3201-0AA61-Z X90&lang=en



last modified:

08/18/2016