

G-INS-N1/2-S68L-PNES-BK - Cable gland



1411157

<https://www.phoenixcontact.com/gb/products/1411157>

Please be informed that the data shown in this PDF document is generated from our online catalog. Please find the complete data in the user documentation. Our general terms of use for downloads are valid.



Cable gland, material for screw connection: PA, application: Standard, external cable diameter 10 mm ... 14 mm, shielding: no, connecting thread: 1/2" NPT, color: jet black RAL 9005

Your advantages

- Plastic material conforms to UL 746C f1

Commercial data

Item number	1411157
Packing unit	10 pc
Minimum order quantity	10 pc
Sales key	AF7DCX
Product key	AF7DCX
GTIN	4046356922937
Weight per piece (including packing)	14.18 g
Weight per piece (excluding packing)	14.18 g
Customs tariff number	39269097
Country of origin	TR

G-INS-N1/2-S68L-PNES-BK - Cable gland

1411157

<https://www.phoenixcontact.com/gb/products/1411157>

Technical data

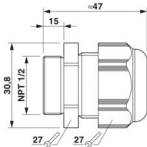
Mounting

Assembly note	1) Mount screw connection support in the housing using the correct torque 2) Insert cable 3) Tighten union nut using the correct torque
---------------	---

Product properties

Application	Standard
No. of conductors	1
Manufacturer	BIMED
Manufacturer Designation	BSPC-22
Shielded	no

Dimensions

Dimensional drawing	
Length	47 mm
Length of the connecting thread	15 mm
Wrench size, union nut	27 mm
Wrench size, support	27 mm
Hexagon angular dimension	30.8 mm
Thread type connection side	1/2" NPT

Connection data

Tightening torque	5 Nm \pm 0.5 Nm (Cap nut)
	2 Nm (Support sleeve)

Material specifications

Color	black (RAL 9005)
Material Housing	PA (Housing)
Flammability rating according to UL 94	V2
Seal material Cable seal	CR
Material for screw connection	PA

Cable/line

External cable diameter	10 mm ... 14 mm
	10 mm ... 14 mm (for UL 514 B)
Halogen-free	no

Environmental and real-life conditions

G-INS-N1/2-S68L-PNES-BK - Cable gland



1411157

<https://www.phoenixcontact.com/gb/products/1411157>

Ambient conditions

Degree of protection	IP68 (5 bar / 0.5 h)
	IP66
Ambient temperature (operation)	-40 °C ... 100 °C (static)

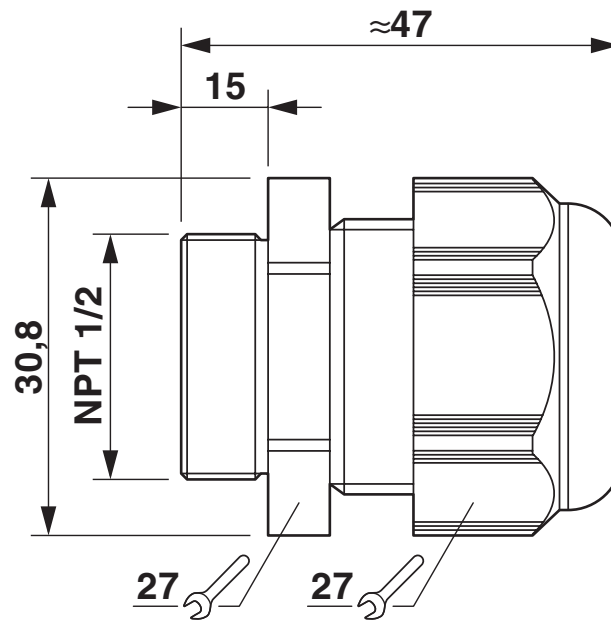
G-INS-N1/2-S68L-PNES-BK - Cable gland

1411157

<https://www.phoenixcontact.com/gb/products/1411157>

Drawings

Dimensional drawing



G-INS-N1/2-S68L-PNES-BK - Cable gland




1411157

<https://www.phoenixcontact.com/gb/products/1411157>

Approvals

To download certificates, visit the product detail page: <https://www.phoenixcontact.com/gb/products/1411157>

 **UL Listed**
Approval ID: E199260

 **cUL Listed**
Approval ID: E199260

G-INS-N1/2-S68L-PNES-BK - Cable gland



1411157

<https://www.phoenixcontact.com/gb/products/1411157>

Classifications

ECLASS

ECLASS-13.0	27140801
ECLASS-15.0	27140801

ETIM

ETIM 10.0	EC000441
-----------	----------

UNSPSC

UNSPSC 21.0	39121300
-------------	----------

G-INS-N1/2-S68L-PNES-BK - Cable gland



1411157

<https://www.phoenixcontact.com/gb/products/1411157>

Environmental product compliance

EU RoHS

Fulfills EU RoHS substance requirements	Yes, No exemptions
---	--------------------

China RoHS

Environment friendly use period (EFUP)	EFUP-E
	No hazardous substances above the limits

EU REACH SVHC

REACH candidate substance (CAS No.)	No substance above 0.1 wt%
-------------------------------------	----------------------------

EF3.1 Climate Change

CO2e kg	0.116 kg CO2e
---------	---------------

Phoenix Contact 2026 © - all rights reserved
<https://www.phoenixcontact.com>

PHOENIX CONTACT Ltd
Halesfield 13, Telford
Shropshire, TF7 4PG
01952 681700
info@phoenixcontact.co.uk