

# A-INL-NPT1/2-P-BK - Counter nut



1411237

<https://www.phoenixcontact.com/gb/products/1411237>

Please be informed that the data shown in this PDF document is generated from our online catalog. Please find the complete data in the user documentation. Our general terms of use for downloads are valid.

Counter nut, for threads 1/2"-NPT, color: jet black RAL 9005



## Commercial data

Item number	1411237
Packing unit	10 pc
Minimum order quantity	10 pc
Sales key	AF7DZX
Product key	AF7DZX
GTIN	4046356923682
Weight per piece (including packing)	3.07 g
Weight per piece (excluding packing)	3.063 g
Customs tariff number	39269097
Country of origin	TR

# A-INL-NPT1/2-P-BK - Counter nut

1411237

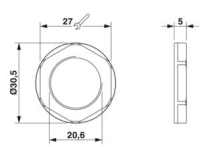
<https://www.phoenixcontact.com/gb/products/1411237>

## Technical data

### Product properties

Thread type	1/2"-NPT
-------------	----------

### Dimensions

Dimensional drawing	
Length	5 mm
Diameter	20.6 mm
Connecting thread diameter	20.6 mm
Wrench size, counter nut	27 mm
Hexagon angular dimension	30.5 mm
Thread type connection side	1/2"-NPT

### Material specifications

Material	PA
Flammability rating according to UL 94	V2

### Cable/line

Halogen-free	yes
--------------	-----

### Environmental and real-life conditions

#### Ambient conditions

Ambient temperature (operation)	-40 °C ... 100 °C
---------------------------------	-------------------

# A-INL-NPT1/2-P-BK - Counter nut

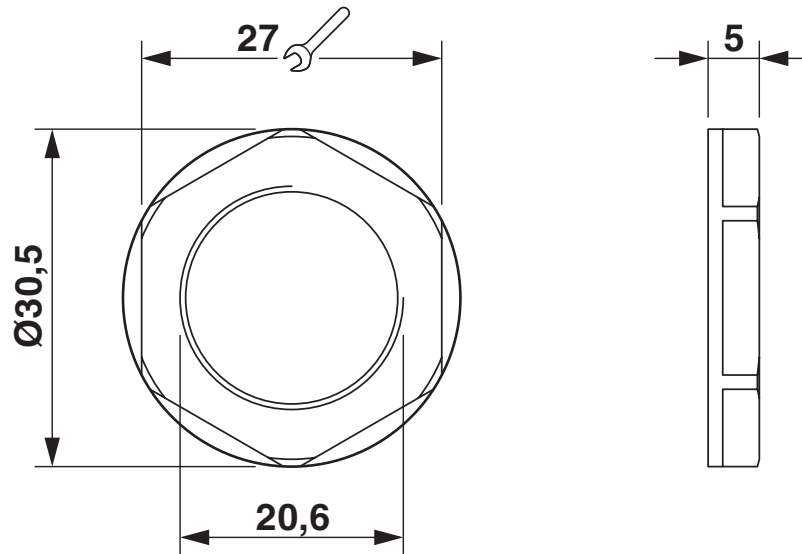
1411237

<https://www.phoenixcontact.com/gb/products/1411237>



## Drawings

Dimensional drawing



# A-INL-NPT1/2-P-BK - Counter nut



1411237

<https://www.phoenixcontact.com/gb/products/1411237>

## Classifications

### ECLASS

ECLASS-13.0	27140807
ECLASS-15.0	27140807

### ETIM

ETIM 10.0	EC003608
-----------	----------

### UNSPSC

UNSPSC 21.0	31161700
-------------	----------

# A-INL-NPT1/2-P-BK - Counter nut



1411237

<https://www.phoenixcontact.com/gb/products/1411237>

## Environmental product compliance

### EU RoHS

Fulfills EU RoHS substance requirements	Yes, No exemptions
---	--------------------

### China RoHS

Environment friendly use period (EFUP)	EFUP-E
	No hazardous substances above the limits

### EU REACH SVHC

REACH candidate substance (CAS No.)	No substance above 0.1 wt%
-------------------------------------	----------------------------

Phoenix Contact 2026 © - all rights reserved  
<https://www.phoenixcontact.com>

PHOENIX CONTACT Ltd  
Halesfield 13, Telford  
Shropshire, TF7 4PG  
01952 681700  
[info@phoenixcontact.co.uk](mailto:info@phoenixcontact.co.uk)